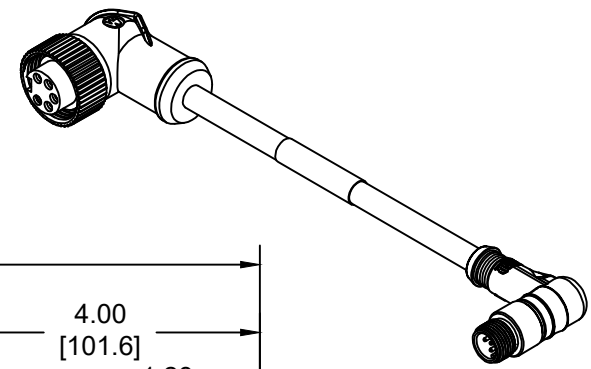


SAP P/N #	ENGINEERING P/N	FINISHED LENGTH
1300390215	DND93A-M005	0.5M [1FT 8 IN]
1300390217	DND93A-M020	2M [6FT 7 IN]
1300390218	DND93A-M050	5M [16FT 5 IN]

PART NUMBER LEGEND

DND93A-M005

LENGTH:
M005= 0.5 METER
M010= 1 METER
M100= 10 METER

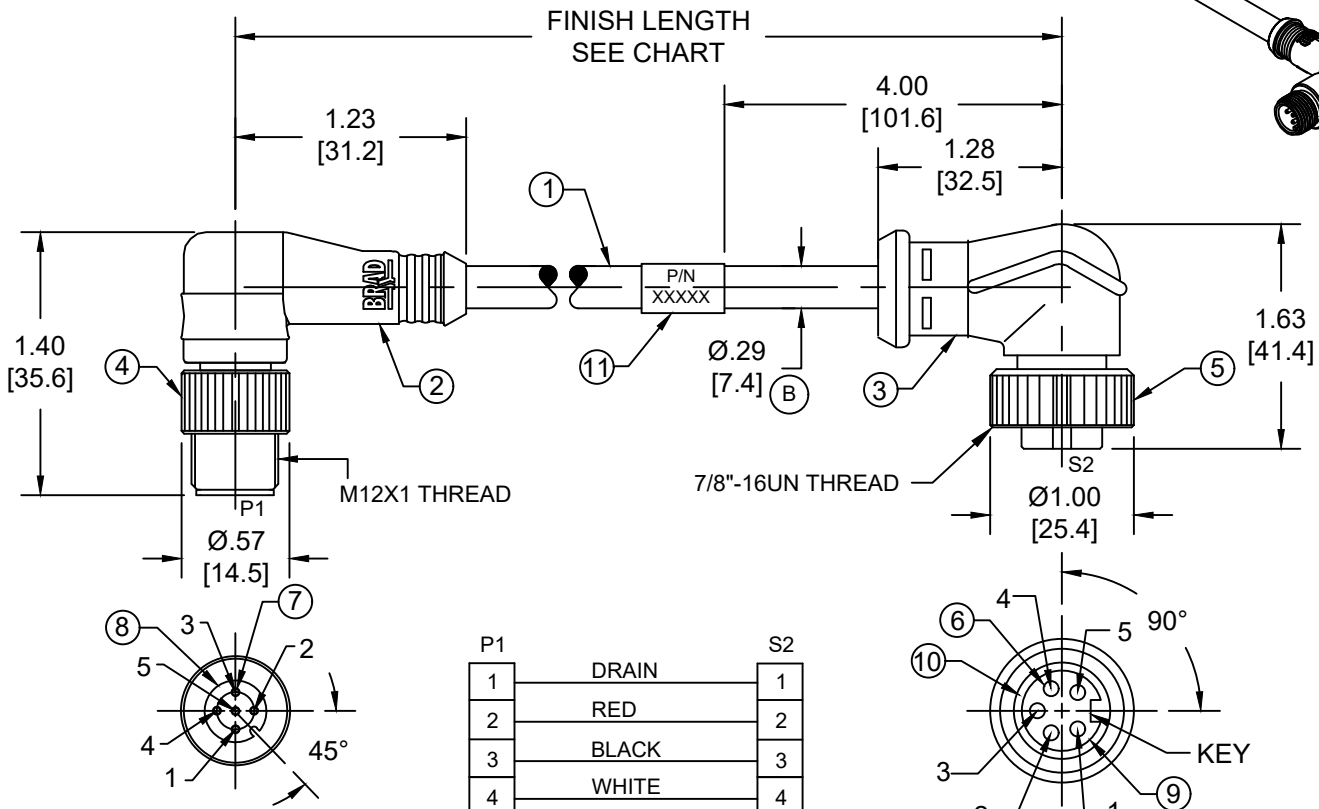


CABLE LENGTH TOLERANCES

<.3M [1FT]:	+19mm-0 [+.75in-0]
.3 - .9M [1 - 3FT]:	+44.5mm-0 [+1.75in-0]
.9 - 1.8M [3 - 6FT]:	+55.6mm-0 [+2.19in-0]
1.8 - 3.7M [6 - 12FT]:	+88.9mm-0 [+3.50in-0]
3.7 - 7.3M [12 - 24FT]:	+165.1mm-0 [+6.50in-0]
7.3-14.6M [24 - 48FT]:	+317.5mm-0 [+12.50in-0]
14.6 - 30.5M [48-100FT]:	+622.3mm-0 [+24.50in-0]
OVER 30M [100FT]	+2% OF FINISHED LENGTH

NOTES:

- MATERIAL: SEE TABLE
- FINISH: SEE TABLE
- ELECTRICAL:
VOLTAGE: 250V
CURRENT: 4A
- TEMP RATING: -20°C TO +80°C
- PROTECTION: IP67 (WHEN MATED)
- UL LISTED FILE: E152210
CSA CERTIFIED FILE: LR6837
- ALL DIMENSIONS ARE FOR REFERENCE UNLESS TOLERANCED OR NOTED OTHERWISE



WIRING DIAGRAM

P1		S2
1	DRAIN	1
2	RED	2
3	BLACK	3
4	WHITE	4
5	BLUE	5

11	WRAP LABEL	VINYL	BLACK/YELLOW
10	FRICTION RING	NYLON	WHITE
9	FEMALE INSERT(MINI)	TPE	BLACK
8	MALE INSERT(MICRO)	NYLON	BLACK
7	PIN CONTACT	COPPER ALLOY	GOLD OVER NICKEL
6	SOCKET CONTACT	COPPER ALLOY	GOLD OVER NICKEL
5	COUPLING NUT(MINI)	ZINC DIE-CAST	BLACK E-COAT
4	COUPLING NUT(MICRO)	ZINC DIE-CAST	BLACK E-COAT
3	OVERMOLD(MINI)	TPC	GRAY
2	OVERMOLD(MICRO)	TPC	GRAY
1	DEVICENET DROP CABLE	PVC JACKET	GRAY
ITEM	COMPONENT	MATERIAL	FINISH

MALE FACE VIEW

FEMALE FACE VIEW

FUNCTIONAL SYMBOLS										THIS DRAWING CONTAINS INFORMATION THAT IS PROPRIETARY TO MOLEX ELECTRONIC TECHNOLOGIES, LLC AND SHOULD NOT BE USED WITHOUT WRITTEN PERMISSION									
DIMENSION UNITS					SCALE					CURRENT REV DESC: ITEM-2, 3 & 9 WERE PVC. ADDED ITEM-10, TOL CHART, PN LEGEND, UL, CSA AND CABLE DIA. MODIFIED PN CHART									
INCH/MM					NTS					EC NO: 720800									
GENERAL TOLERANCES (UNLESS SPECIFIED)										DRWN: ABENJAMINLW 2022/07/28									
4 PLACES ±----					±----					CHK'D: RSTONE 2022/09/09									
3 PLACES ±----					±----					APPR: BWOODMAN 2022/09/09									
2 PLACES ±----					±----					INITIAL REVISION:									
1 PLACE ±----					±----					DRWN: TWOLDEGE 2010/01/11									
0 PLACES ±----					±----					APPR: JFMURPHY 2010/01/20									
DIVISIONAL SYMBOLS										ANGULAR TOL ± ---- °									
DRAFT WHERE APPLICABLE MUST REMAIN WITHIN DIMENSIONS										THIRD ANGLE PROJECTION									
DRAWING			SERIES			MATERIAL NUMBER			CUSTOMER			SHEET NUMBER							
A-SIZE			130039			SEE CHART			GENERAL MARKET			1 OF 1							

molex

MINI-MICRO CHANGE DEVICENET, A-SIZE-M12,
5 POLE, FEMALE 90DEG - MALE 90DEG,
SINGLE KEY, #22/4 AWG

PRODUCT CUSTOMER DRAWING

DOCUMENT NUMBER: **SD-130039-025**

DOC TYPE: PSD DOC PART: 001 REVISION: B

DOCUMENT STATUS	P1	RELEASE DATE	2022/09/09	18:08:09
-----------------	----	--------------	------------	----------