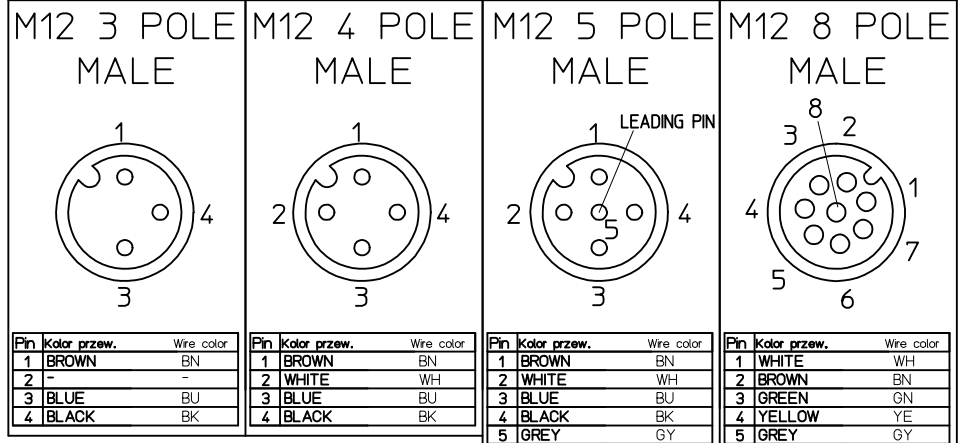


FACE VIEW



Pin	Kolor przew.	Wire color
1	BROWN	BN
2	-	-
3	BLUE	BU
4	BLACK	BK

Pin	Kolor przew.	Wire color
1	BROWN	BN
2	WHITE	WH
3	BLUE	BU
4	BLACK	BK

Pin	Kolor przew.	Wire color
1	BROWN	BN
2	WHITE	WH
3	BLUE	BU
4	BLACK	BK
5	GREY	GY

Pin	Kolor przew.	Wire color
1	WHITE	WH
2	BROWN	BN
3	GREEN	GN
4	YELLOW	YE
5	GREY	GY
6	PINK	PK
7	BLUE	BU
8	RED	RD

PN KEY / PART No MATRIX

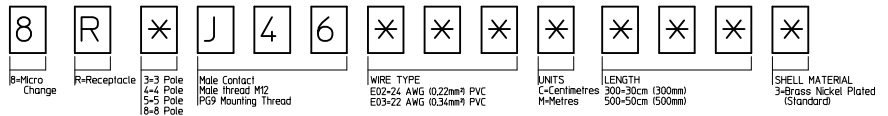
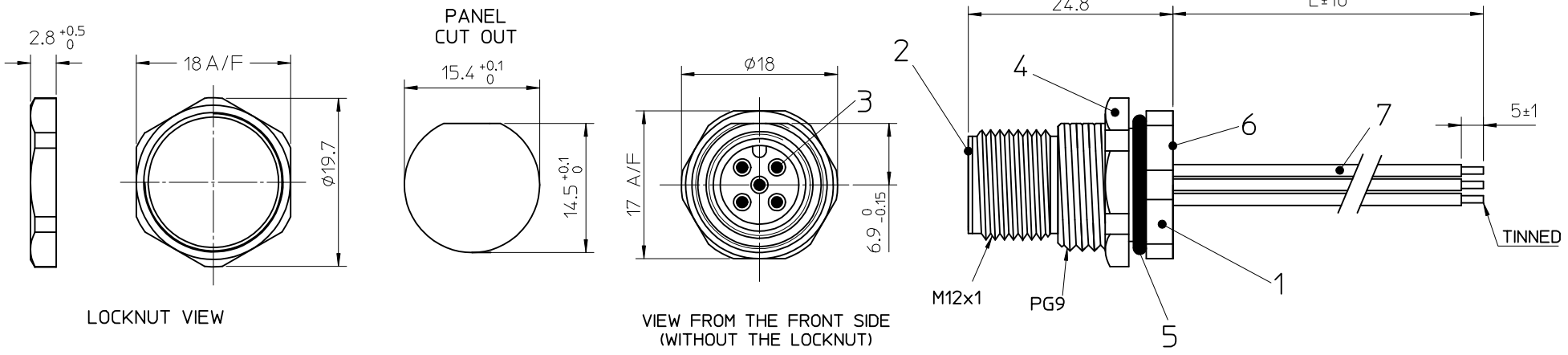


CHART 1

Molex PN	Engineering NO	L [mm]
1200708121	8R4J46E03M0153	1500
1200708205	8R5J46E02C3003	300
1200700234	8R5J46E03C3003	300
1200700278	8R8J46E02C3003	300
1200704002	8R4J46E03C3003	300



BILL OF MATERIAL

ITEM	QTY.	DESCRIPTION	MATERIAL	FINISH
7	-	WIRES	-	-
6	-	POTTING MATERIAL	WEVO	-
5	1	O-RING	NBR	-
4	1	LOCKNUT PG9	BRASS	NICKEL PLATED
3	-	CONTACT	-	-
2	1	M12 MALE INSERT	-	-
1	1	M12x1 PG9 SHELL	BRASS	NICKEL PLATED

K-WAY POSITION CHANGED EC NO: IPG2015-1714 DRWN:FGAIK 2015/04/02 CHKD:JMARSZALEK 2015/04/03 APPR:MIWASIECZKO 2015/05/18	QUALITY SYMBOLS	GENERAL TOLERANCES (UNLESS SPECIFIED)	DIMENSION STYLE	SCALE	DESIGN UNITS	THIRD ANGLE PROJECTION	
	▽=0 ◻=0	mm INCH	MM ONLY	---	METRIC		
		4 PLACES ± --- ± --- 3 PLACES ± --- ± --- 2 PLACES ± 0.05 ± --- 1 PLACE ± 0.3 ± --- 0 PLACE ± 0.5 ± ---	DRAWN BY DATE FGAIK 2014/11/26	TITLE	REC M12 XP MA AC PG9 BM XM PVC		
		ANGULAR ± 1 ° DRAFT WHERE APPLICABLE MUST REMAIN WITHIN DIMENSIONS	CHECKED BY DATE JMARSZALEK 2015/02/09	APPROVED BY DATE MIWASIECZKO 2015/02/16	MATERIAL NO.	DOCUMENT NO.	SHEET NO.

SEE CHART 1

THIS DRAWING CONTAINS INFORMATION THAT IS PROPRIETARY TO MOLEX INCORPORATED AND SHOULD NOT BE USED WITHOUT WRITTEN PERMISSION

SIZE A3

1 OF 1

SD-120070-055