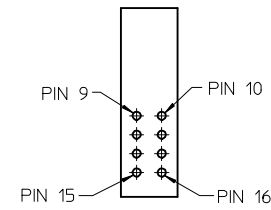
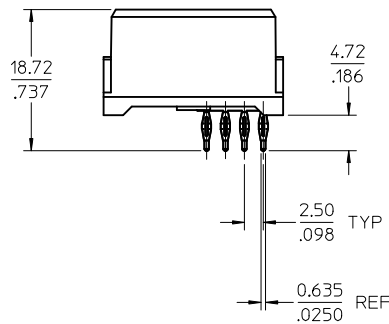
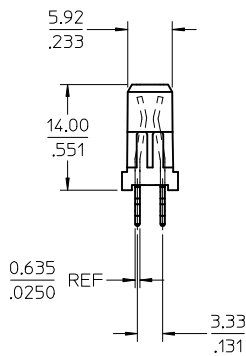
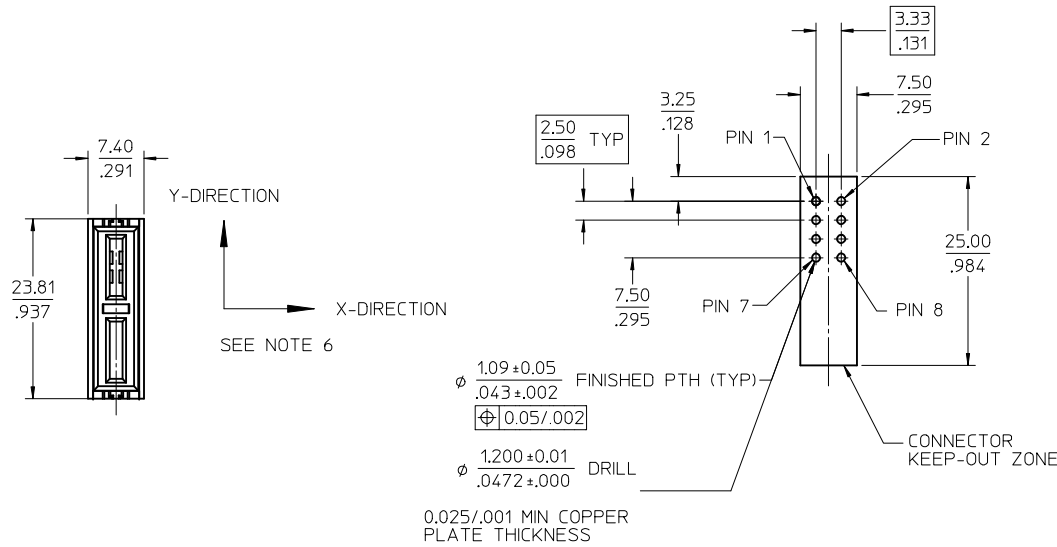


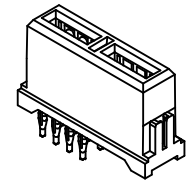
PART NUMBER	PLATING
75545-5100	30μ INCH MIN SELECT HARD GOLD IN CONTACT AREA WITH 100μ INCH MIN SELECT TIN IN TAIL AREA OVER 50μ INCH MIN NICKEL OVERALL

NOTES:

- MATERIALS:
  - HOUSING: 30% GLASS FILLED, LCP 94V-0, COLOR: BLACK.
  - TERMINALS: COPPER ALLOY.
  - PLATING: PER ES-88 - SEE CHART
  - LUBRICATION: EB1 IN CONTACT AREA.
- SEE CHART FOR REFERENCE DOCUMENTS.
- RECEPTACLE MATES WITH PLUG ASSEMBLIES: 75561-5100, 75561-5101, 75561-1510, 75561-1511, 75561-5200, 75561-5201, 75561-1520 & 75561-1521
- AVERAGE INSERTION FORCE INTO PCB IS 8.2 Kg/18 LBS PER TAIL.
- MODULE ASSEMBLY IS RoHS COMPLIANT.
- GATHERABILITY: +0.65/.026 X-DIRECTION  
+1.30/.051 Y-DIRECTION
- TERMINAL RETENTION INTO HOUSING 0.50 LB.



PCB LAYOUT  
3.18/.125 MIN THICK  
FOR PLUG ASSEMBLY  
75561-1200



REFERENCE DOCUMENTS

PS-75431-999	PRODUCT SPECIFICATION: PERFORMANCE AND RATINGS
SD-75541-***	MODULE CONFIGURATION DRAWING
AS-75541-0000	APPLICATION SPECIFICATION

REMOVED P/N FROM CHART EC NO: UCP2014-1914 2013/10/31 DRWN: JUILLES 2013/10/31 CHKD: MBANDURA 2013/11/17 APPR: APATEL	QUALITY SYMBOLS	GENERAL TOLERANCES (UNLESS SPECIFIED)	DIMENSION STYLE	SCALE	DESIGN UNITS	THIRD ANGLE PROJECTION	
	▽=0	mm INCH	MM/IN	2:1	METRIC		
	▽=0	4 PLACES ± --- ± --- 3 PLACES ± --- ± .008 2 PLACES ± 0.20 ± .013 1 PLACE ± 0.33 ± ---	DRAWN BY DATE ADRNOL 2005/04/19	CHECKED BY DATE MDATA 2005/04/19	POWER DOCK SR. 40 AMP MODULE RECEPTACLE		
	▽=0	ANGULAR ±1/2°	APPROVED BY DATE APATEL 2005/04/19	MOLEX INCORPORATED SD-75545-101			
	DRAFT WHERE APPLICABLE MUST REMAIN WITHIN DIMENSIONS	MATERIAL NO. SEE CHART	DOCUMENT NO. SD-75545-101	SHEET NO. 1 OF 1			
		SIZE C	THIS DRAWING CONTAINS INFORMATION THAT IS PROPRIETARY TO MOLEX INCORPORATED AND SHOULD NOT BE USED WITHOUT WRITTEN PERMISSION				