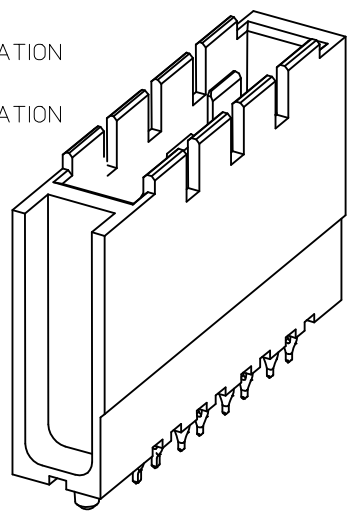
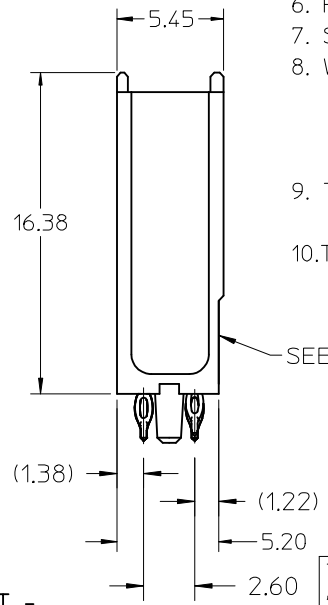
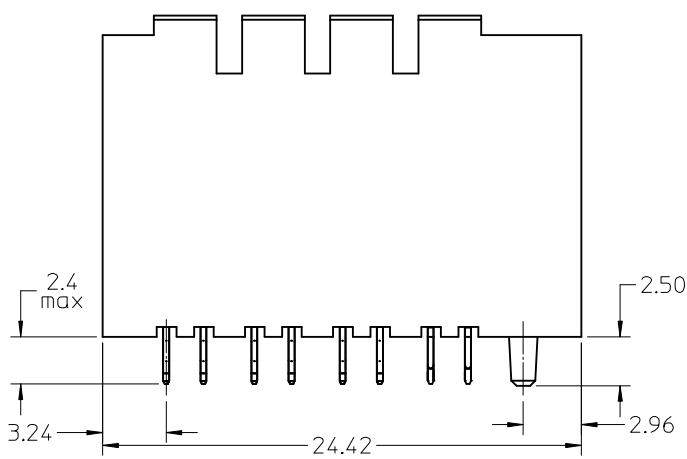


- NOTES:
1. MATERIALS: HOUSING - LIQUID CRYSTAL POLYMER (LCP), UL 94V-0, GRAY; CONTACT - COPPER ALLOY.
  2. FINISH: SELECT GOLD IN CONTACT AREA, 50 MICROINCH THICK; MATTE TIN IN COMPLIANT AREA.
  3. PACKAGING PER PK-70873-562.
  4. CONTACTS IN EACH ROW HAVE THE SAME WIPE LENGTH.
  5. BACKPLANE ASSEMBLY MATES WITH DAUGHTERCARD POWER MODULE 75292-4\*\*\*.
  6. PART SHOWN IS 75343-4467 (SHEET 4).
  7. SEE OTHER SHEETS FOR ADDITIONAL NOTES.
  8. WHEN INSERTING OPEN SIGNAL MODULES NEXT TO COLUMN 1 SIDE OF POWER MODULES, SIGNAL MODULES MUST BE INSERTED BEFORE THE POWERS TO AVOID INTERFERENCE BETWEEN THE TWO CONNECTOR HOUSINGS.
  9. THESE PARTS CONFORM TO MOLEX PRODUCT SPECIFICATION PS-75221-999.
  10. THESE PARTS CONFORM TO MOLEX COSMETIC SPECIFICATION PS-45499-002 CLASS B.



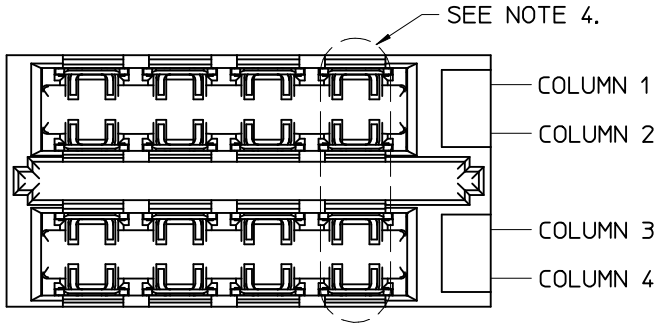
1-UP ASSEMBLY PART NUMBER  
**7 5 3 4 1 - A B C D**  
 - MATTE TIN (FORMERLY TIN/LEAD) PLATED PRODUCT -

FOR EACH ROW LOCATION A, B, C, D:  
 0 = VOID  
 4 = 4.5 mm WIPE  
 6 = 6.0 mm WIPE  
 7 = 7.5 mm WIPE  
 - MATTE TIN PLATED PRODUCT -  
 FOR EACH ROW LOCATION A, B, C, D:  
 0 = VOID  
 2 = 4.5 mm WIPE  
 3 = 6.0 mm WIPE  
 5 = 7.5 mm WIPE

THE PRIMARY CARTON WITH A LABEL STATING "ELV AND RoHS COMPLIANT" IS LEAD FREE. CARTONS WITHOUT THIS LABEL MAY CONTAIN LEAD.

LEAD FREE CONVERSION EC NO: UCP2013-2305 DR: WNR/WHIPPLE 2012/12/07 CHKD: MWOLFE 2012/12/07 APPR: SMILLER 2012/12/17	DESCRIPTION REV	QUALITY SYMBOLS	GENERAL TOLERANCES (UNLESS SPECIFIED)	DIMENSION STYLE	SCALE	DESIGN UNITS	THIRD ANGLE PROJECTION	
		$\nabla F/0$ $\nabla F/0$ $\nabla F/0$	mm INCH 4 PLACES ± --- ± --- 3 PLACES ± --- ± --- 2 PLACES ± 0.13 ± --- 1 PLACE ± 0.25 ± --- 0 PLACE ± ±	MM ONLY	4:1	METRIC	DRAWN BY DATE ELO 2006/04/06 CHECKED BY DATE ELO 2005/02/22 APPROVED BY DATE JB INGHAM 2010/09/20	TITLE GBX 4 PAIR BACKPLANE POWER SALES ASSEMBLY
		ANGULAR ± --- ° DRAFT WHERE APPLICABLE MUST REMAIN WITHIN DIMENSIONS	MATERIAL NO. SEE CHART	DOCUMENT NO. SD-75341-001	SHEET NO. 1 OF 4			
		THIS DRAWING CONTAINS INFORMATION THAT IS PROPRIETARY TO MOLEX INCORPORATED AND SHOULD NOT BE USED WITHOUT WRITTEN PERMISSION						

10 9 8 7 6 5 4 3 2 1



2-UP ASSEMBLY PART NUMBER

7 5 3 4 2 - A B C D

- MATTE TIN (FORMERLY TIN LEAD) PLATED PRODUCT -

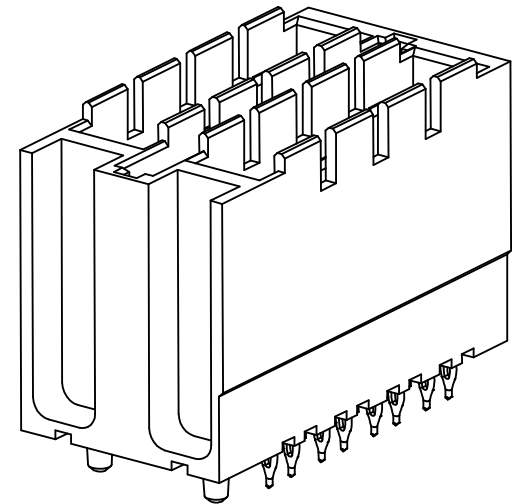
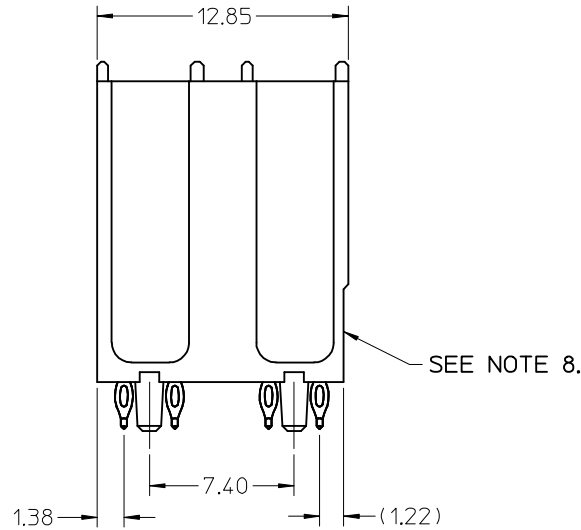
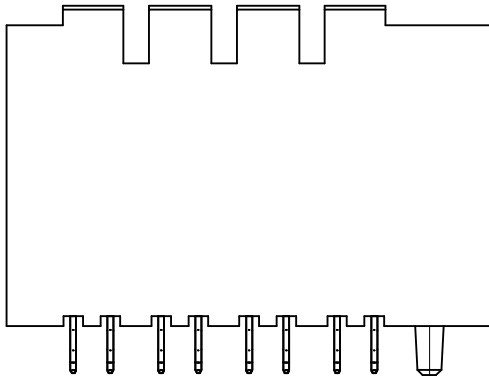
FOR EACH ROW LOCATION A, B, C, D:

- 0 = VOID
- 4 = 4.5 mm WIPE
- 6 = 6.0 mm WIPE
- 7 = 7.5 mm WIPE

- MATTE TIN PLATED PRODUCT -

FOR EACH ROW LOCATION A, B, C, D:

- 0 = VOID
- 2 = 4.5 mm WIPE
- 3 = 6.0 mm WIPE
- 5 = 7.5 mm WIPE

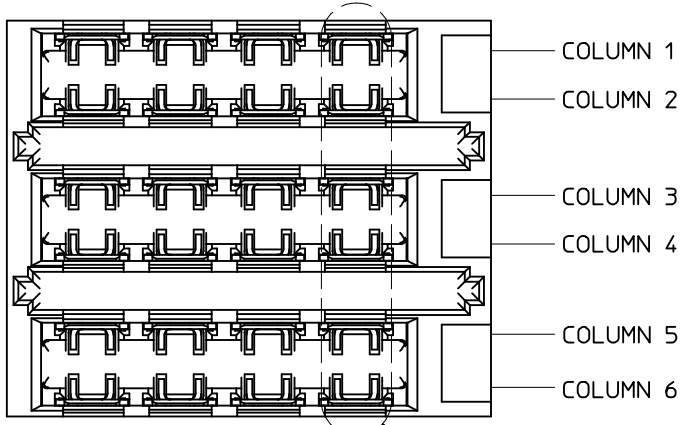


SEE SHEET 1 FOR ADDITIONAL INFORMATION  
CHECK WITH PRODUCT MANAGER FOR AVAILABILITY

LEAD FREE CONVERSION EC NO: UCP2013-2305 DRWN:RHIPPLE 2012/12/07 CHKD:MOLFE 2012/12/07 APPR:SMILLER 2012/12/17	REV F	DESCRIPTION QUALITY SYMBOLS ▽=0 ▽=0 ▽=0	GENERAL TOLERANCES (UNLESS SPECIFIED)		DIMENSION STYLE MM ONLY		SCALE 4:1	DESIGN UNITS METRIC	THIRD ANGLE PROJECTION			
			4 PLACES ± --- ± ---	3 PLACES ± --- ± ---	2 PLACES ± 0.13 ± ---	1 PLACE ± 0.25 ± ---	0 PLACE ± ±	DRAWN BY ELO	DATE 2006/04/06	TITLE GBX 4 PAIR BACKPLANE POWER SALES ASSEMBLY <b>molex</b>		
			DRAFT WHERE APPLICABLE MUST REMAIN WITHIN DIMENSIONS					CHECKED BY ELO	DATE 2005/02/22			
								APPROVED BY JB INGHAM	DATE 2010/09/20	MATERIAL NO.	DOCUMENT NO. SD-75341-001	SHEET NO. 2 OF 4

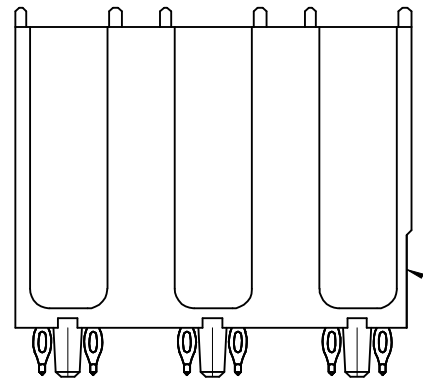
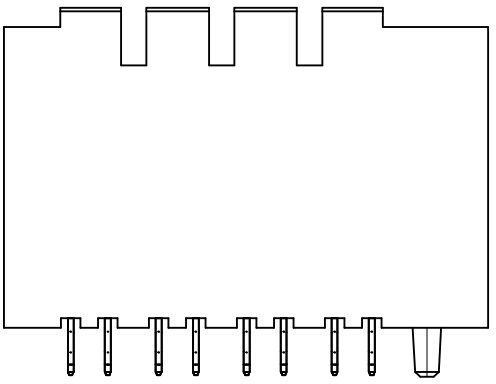
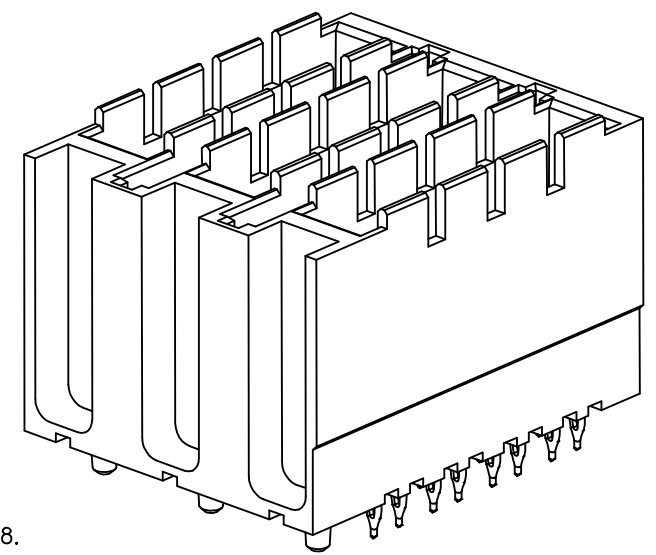
9 8 7 6 5 4 3 2 1

10 9 8 7 6 5 4 3 2 1



3-UP ASSEMBLY PART NUMBER

7 5 3 4 3 - A B C D  
 - MATTE TIN (FORMERLY TIN LEAD) PLATED PRODUCT -  
 FOR EACH ROW LOCATION A, B, C, D:  
 0 = VOID  
 4 = 4.5 mm WIPE  
 6 = 6.0 mm WIPE  
 7 = 7.5 mm WIPE  
 - MATTE TIN PLATED PRODUCT -  
 FOR EACH ROW LOCATION A, B, C, D:  
 0 = VOID  
 2 = 4.5 mm WIPE  
 3 = 6.0 mm WIPE  
 5 = 7.5 mm WIPE



SEE NOTE 8.

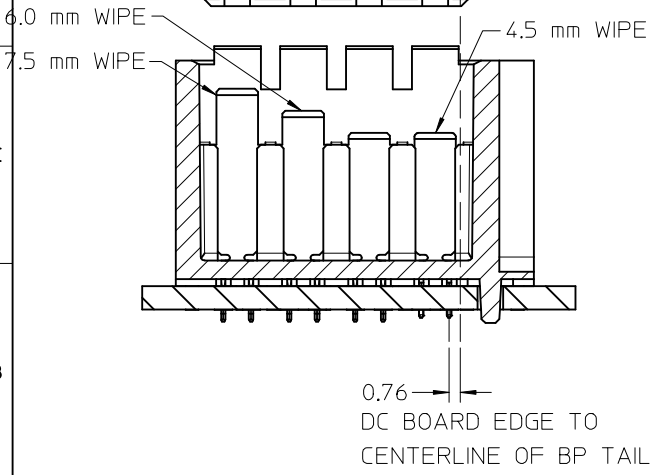
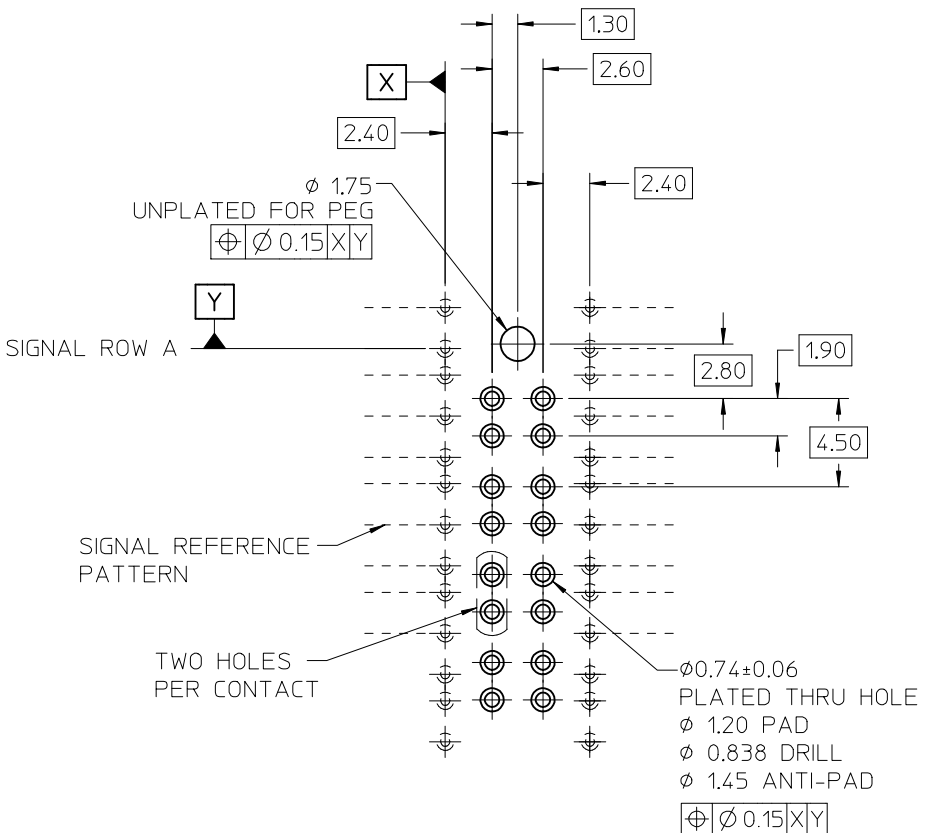
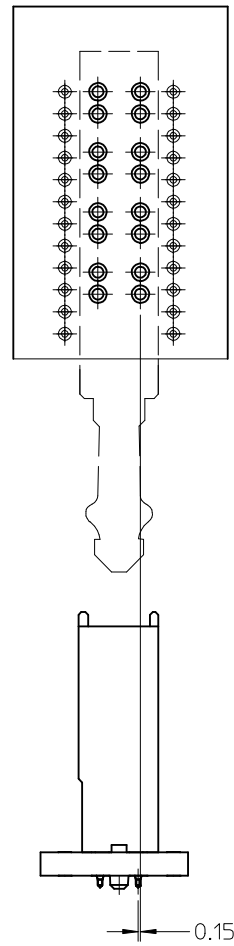
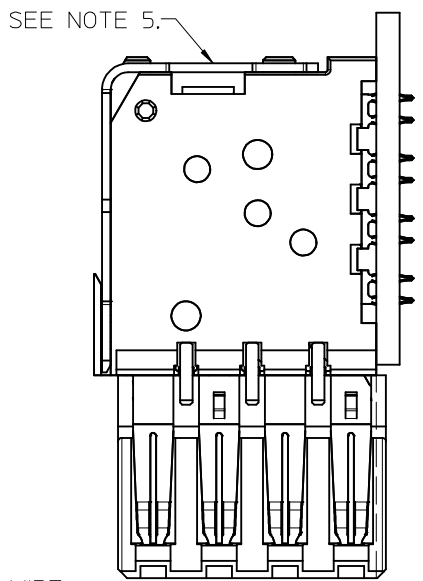
SEE SHEET 1 FOR ADDITIONAL INFORMATION  
 CHECK WITH PRODUCT MANAGER FOR AVAILABILITY

LEAD FREE CONVERSION EC NO: UCP2013-2305 DRAWN: RWHIPPLE 2012/12/07 CHKD: MWOLFE 2012/12/07 APPR: SMILLER 2012/12/17	QUALITY SYMBOLS ▽/0 ▽/0 ▽/0	GENERAL TOLERANCES (UNLESS SPECIFIED)		DIMENSION STYLE MM ONLY		SCALE 4:1	DESIGN UNITS METRIC	THIRD ANGLE PROJECTION		
				mm	INCH	DRAWN BY ELO	DATE 2006/04/06	TITLE GBX 4 PAIR BACKPLANE POWER SALES ASSEMBLY		
		4 PLACES	± ---	± ---	CHECKED BY ELO	DATE 2005/02/22				
		3 PLACES	± ---	± ---	APPROVED BY JB INGHAM	DATE 2010/09/20	DOCUMENT NO. SD-75341-001		SHEET NO. 3 OF 4	
		2 PLACES	± 0.13	± ---	MATERIAL NO. SEE CHART		THIS DRAWING CONTAINS INFORMATION THAT IS PROPRIETARY TO MOLEX INCORPORATED AND SHOULD NOT BE USED WITHOUT WRITTEN PERMISSION			
		1 PLACE	± 0.25	± ---	ANGULAR ± --- °					
		0 PLACE	±	±	DRAFT WHERE APPLICABLE MUST REMAIN WITHIN DIMENSIONS					

9 8 7 6 5 4 3 2 1

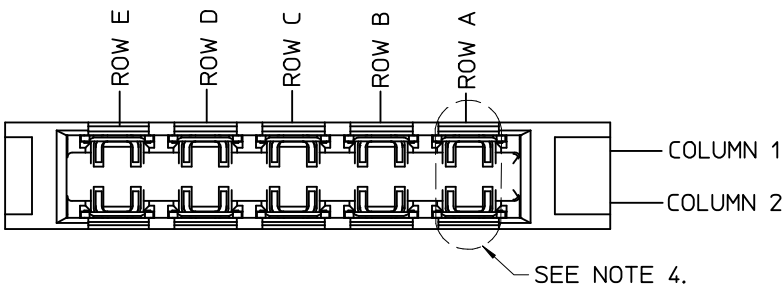
### HOLE PATTERN FOR 1-UP ASSEMBLY

- 1.) ADD 7.40 FROM CENTERLINES OF PEGS FOR MULTIPLE UP ASSEMBLIES.
- 2.) ADD 5.55 FROM CENTERLINE TO CENTERLINE OF PEG FOR INDIVIDUAL POWER MODULES STACKED NEXT TO EACH OTHER.

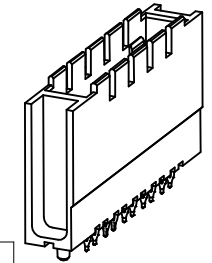
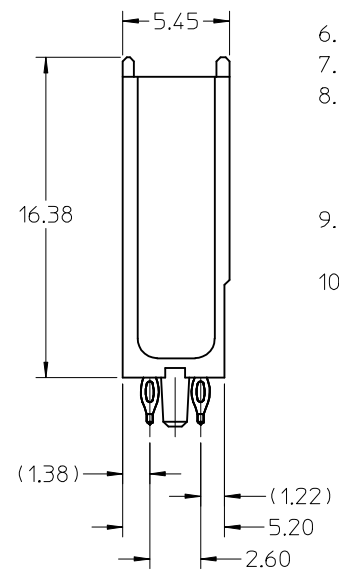
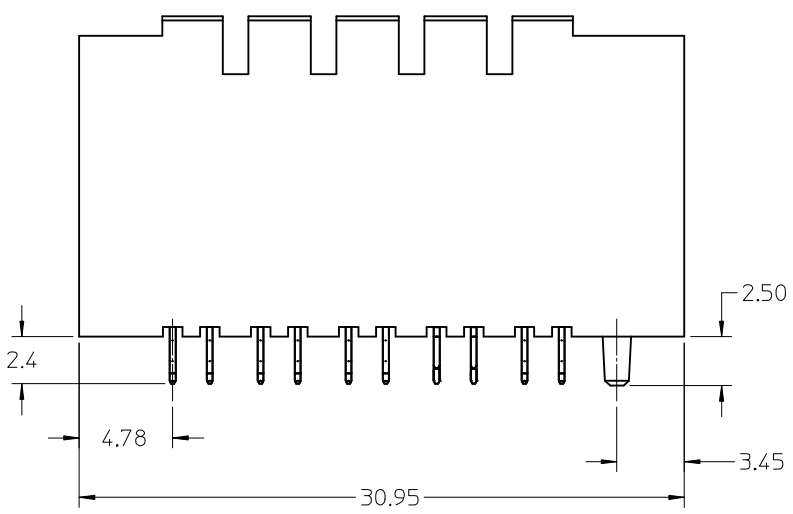


<b>LEAD FREE CONVERSION</b> EC NO: UCP2013-2305 DRAWN: RWHIPPLE 2012/12/07 CHKD: MWOLFE 2012/12/07 APPR: SMILLER 2012/12/17 REV	QUALITY SYMBOLS $\nabla F=0$ $\nabla E=0$ $\nabla D=0$	GENERAL TOLERANCES (UNLESS SPECIFIED) <table border="1"> <thead> <tr> <th></th> <th>mm</th> <th>INCH</th> </tr> </thead> <tbody> <tr> <td>4 PLACES</td> <td><math>\pm</math>---</td> <td><math>\pm</math>---</td> </tr> <tr> <td>3 PLACES</td> <td><math>\pm</math>---</td> <td><math>\pm</math>---</td> </tr> <tr> <td>2 PLACES</td> <td><math>\pm 0.13</math></td> <td><math>\pm</math>---</td> </tr> <tr> <td>1 PLACE</td> <td><math>\pm 0.25</math></td> <td><math>\pm</math>---</td> </tr> <tr> <td>0 PLACE</td> <td><math>\pm</math></td> <td><math>\pm</math></td> </tr> </tbody> </table>		mm	INCH	4 PLACES	$\pm$ ---	$\pm$ ---	3 PLACES	$\pm$ ---	$\pm$ ---	2 PLACES	$\pm 0.13$	$\pm$ ---	1 PLACE	$\pm 0.25$	$\pm$ ---	0 PLACE	$\pm$	$\pm$	DIMENSION STYLE <b>MM ONLY</b>	SCALE <b>4:1</b>	DESIGN UNITS <b>METRIC</b>	THIRD ANGLE PROJECTION
		mm	INCH																					
	4 PLACES	$\pm$ ---	$\pm$ ---																					
	3 PLACES	$\pm$ ---	$\pm$ ---																					
2 PLACES	$\pm 0.13$	$\pm$ ---																						
1 PLACE	$\pm 0.25$	$\pm$ ---																						
0 PLACE	$\pm$	$\pm$																						
DRAWN BY ELO	DATE 2006/04/06	CHECKED BY ELO	DATE 2005/02/22	APPROVED BY JB INGHAM	DATE 2010/09/20	TITLE <b>GBX 4 PAIR BACKPLANE POWER SALES ASSEMBLY</b>																		
MATERIAL NO. <b>SEE CHART</b>	DOCUMENT NO. <b>SD-75341-001</b>	SHEET NO. <b>4 OF 4</b>	THIS DRAWING CONTAINS INFORMATION THAT IS PROPRIETARY TO MOLEX INCORPORATED AND SHOULD NOT BE USED WITHOUT WRITTEN PERMISSION																					
DRAFT WHERE APPLICABLE MUST REMAIN WITHIN DIMENSIONS		ANGULAR $\pm$ ---°		MOLEX																				

10 9 8 7 6 5 4 3 2 1



- NOTES:
1. MATERIALS: HOUSING - LIQUID CRYSTAL POLYMER (LCP), UL 94V-0, GRAY; CONTACT - COPPER ALLOY.
  2. FINISH: SELECT GOLD IN CONTACT AREA, 50 MICRINCH THICK; MATTE TIN IN COMPLIANT AREA.
  3. PACKAGING PER PK-70873-566.
  4. CONTACTS IN EACH ROW HAVE THE SAME WIPE LENGTH.
  5. BACKPLANE ASSEMBLY MATES WITH DAUGHTERCARD POWER MODULE 75292-5\*\*\*.
  6. PART SHOWN IS 75514-0467 (SHEET 4).
  7. SEE OTHER SHEETS FOR ADDITIONAL NOTES.
  8. WHEN INSERTING OPEN SIGNAL MODULES NEXT TO COLUMN 1 SIDE OF POWER MODULES, SIGNAL MODULES MUST BE INSERTED BEFORE THE POWERS TO AVOID INTERFERENCE BETWEEN THE TWO CONNECTOR HOUSINGS.
  9. THESE PARTS CONFORM TO MOLEX PRODUCT SPECIFICATION PS-75221-999.
  10. THESE PARTS CONFORM TO MOLEX COSMETIC SPECIFICATION PS-45499-002 CLASS B.



1-UP ASSEMBLY PART NUMBER

7 5 5 1 A - B C D E

- MATTE TIN (FORMERLY TIN/LEAD) PLATED PRODUCT -  
FOR EACH ROW LOCATION A, B, C, D, E:

- 0 = VOID
- 4 = 4.5 mm WIPE
- 6 = 6.0 mm WIPE
- 7 = 7.5 mm WIPE

- MATTE TIN PLATED PRODUCT -  
FOR EACH ROW LOCATION A, B, C, D, E:

- 0 = VOID
- 2 = 4.5 mm WIPE
- 3 = 6.0 mm WIPE
- 5 = 7.5 mm WIPE

THE PRIMARY CARTON WITH A LABEL STATING "ELV AND RoHS COMPLIANT" IS LEAD FREE. CARTONS WITHOUT THIS LABEL MAY CONTAIN LEAD.

LEAD FREE CONVERSION EC NO: UCP2013-2305 DRWN:RHIPPLE 2012/12/07 CHKD:MWLF 2012/12/07 APPR:SMILLER 2012/12/17	DESCRIPTION REV	QUALITY SYMBOLS	GENERAL TOLERANCES (UNLESS SPECIFIED)	DIMENSION STYLE MM ONLY	SCALE 4:1	DESIGN UNITS METRIC	THIRD ANGLE PROJECTION
		▽E=0	4 PLACES ± --- ± ---	DRAWN BY DATE ELO 2006/04/13	TITLE	GBX 5 PAIR BACKPLANE POWER SALES ASSEMBLY <b>molex</b>	
		▽E=0	3 PLACES ± --- ± ---	CHECKED BY DATE ELO 2006/04/13			
		▽E=0	2 PLACES ± .13 ± ---	APPROVED BY DATE CUNNINGHAM 2006/04/17			
	1 PLACE ± 0.25 ± ---	MATERIAL NO.	DOCUMENT NO.				
		0 PLACE ± ±	ANGULAR ± --- ° DRAFT WHERE APPLICABLE MUST REMAIN WITHIN DIMENSIONS	SEE CHART			SHEET NO. 1 OF 4
				SIZE B	THIS DRAWING CONTAINS INFORMATION THAT IS PROPRIETARY TO MOLEX INCORPORATED AND SHOULD NOT BE USED WITHOUT WRITTEN PERMISSION		

9 8 7 6 5 4 3 2 1

10 9 8 7 6 5 4 3 2 1

2-UP ASSEMBLY PART NUMBER

7 5 5 2 A - B C D E

- MATTE TIN (FORMERLY TIN/LEAD) PLATED PRODUCT -

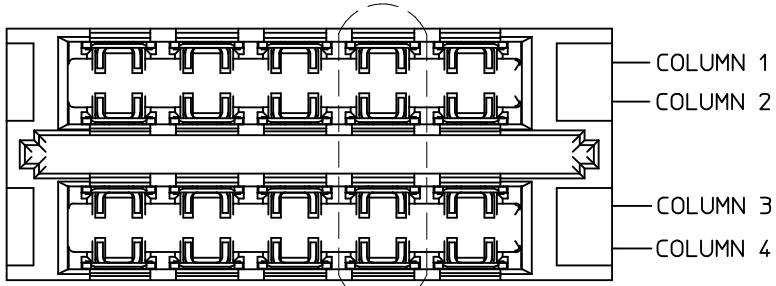
FOR EACH ROW LOCATION A, B, C, D, E:

- 0 = VOID
- 4 = 4.5 mm WIPE
- 6 = 6.0 mm WIPE
- 7 = 7.5 mm WIPE

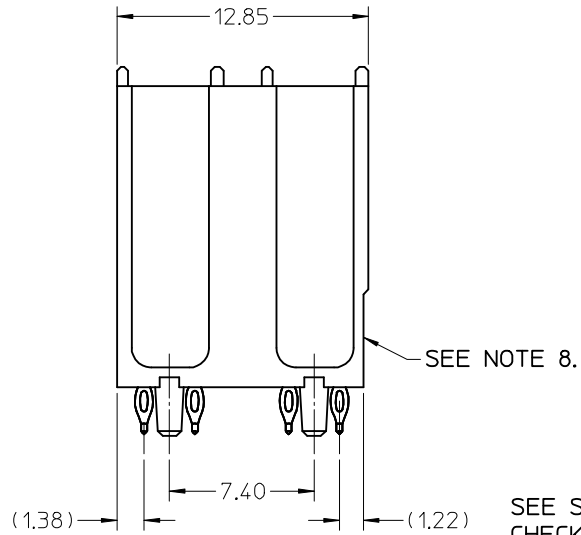
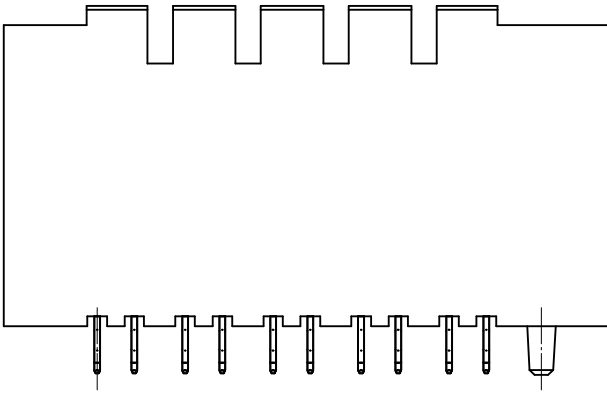
- MATTE TIN PLATED PRODUCT -

FOR EACH ROW LOCATION A, B, C, D, E:

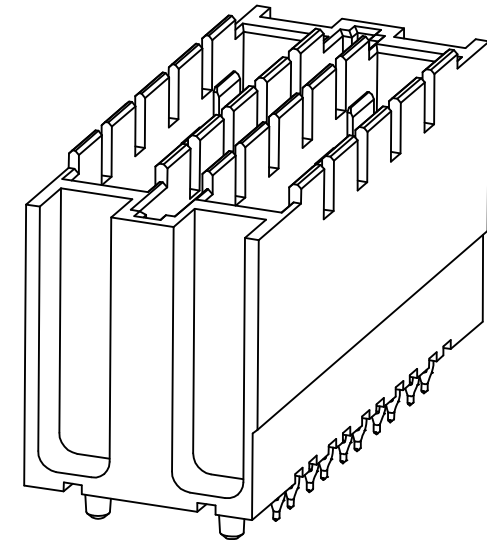
- 0 = VOID
- 2 = 4.5 mm WIPE
- 3 = 6.0 mm WIPE
- 5 = 7.5 mm WIPE



SEE NOTE 4.



SEE NOTE 8.

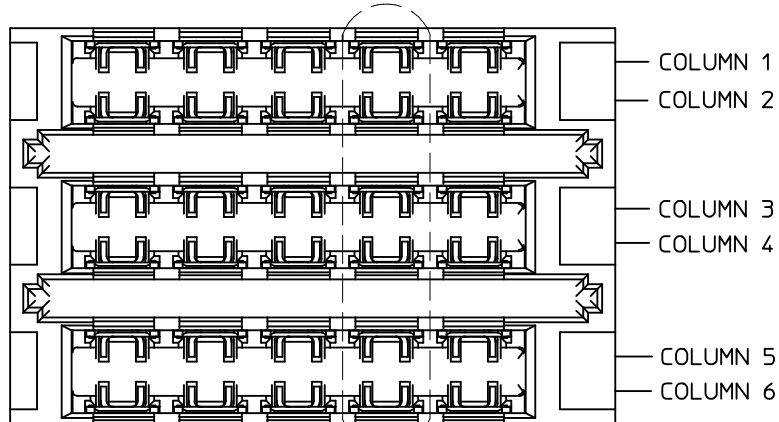


SEE SHEET 1 FOR ADDITIONAL INFORMATION  
CHECK WITH PRODUCT MANAGER FOR AVAILABILITY

SEE SHEET 1 EC NO: UCP2013-2305 DRAWN: RWHIPPLE 2012/12/07 CHKD: MWOLFE 2012/12/07 APPR: SMILLER 2012/12/17	QUALITY SYMBOLS $\nabla \text{E} = 0$ $\nabla \text{E} = 0$ $\nabla \text{E} = 0$	GENERAL TOLERANCES (UNLESS SPECIFIED)		DIMENSION STYLE MM ONLY		SCALE 4:1	DESIGN UNITS METRIC	THIRD ANGLE PROJECTION			
		4 PLACES $\pm$ --- $\pm$ ---	3 PLACES $\pm$ --- $\pm$ ---	DRAWN BY ELO	DATE 2006/04/13	TITLE GBX 5 PAIR BACKPLANE POWER SALES ASSEMBLY					
		2 PLACES $\pm$ .13 $\pm$ ---	1 PLACE $\pm$ 0.25 $\pm$ ---	CHECKED BY ELO	DATE 2006/04/13	APPROVED BY CUNNINGHAM					
		0 PLACE $\pm$ $\pm$	ANGULAR $\pm$ --- °	DRAFT WHERE APPLICABLE MUST REMAIN WITHIN DIMENSIONS	MATERIAL NO. SEE CHART	DATE 2006/04/17	DOCUMENT NO. SD-75510-001		SHEET NO. 2 OF 4		
THIS DRAWING CONTAINS INFORMATION THAT IS PROPRIETARY TO MOLEX INCORPORATED AND SHOULD NOT BE USED WITHOUT WRITTEN PERMISSION											

9 8 7 6 5 4 3 2 1

10 9 8 7 6 5 4 3 2 1



3-UP ASSEMBLY PART NUMBER

7 5 5 3 A - B C D E

- MATTE TIN (FORMERLY TIN/LEAD) PLATED PRODUCT -

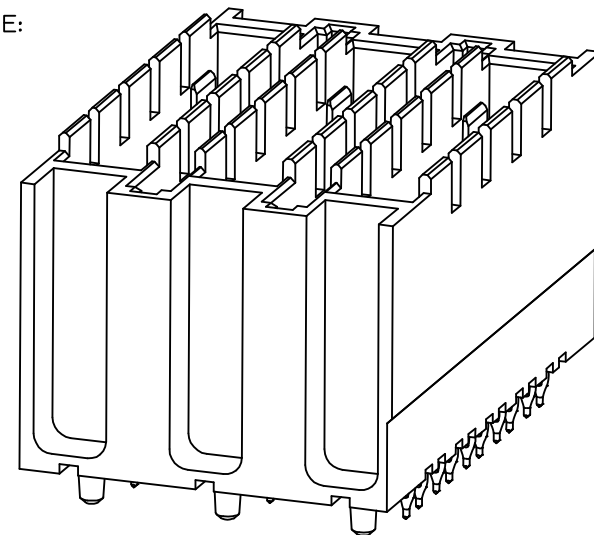
FOR EACH ROW LOCATION A, B, C, D, E:

- 0 = VOID
- 4 = 4.5 mm WIPE
- 6 = 6.0 mm WIPE
- 7 = 7.5 mm WIPE

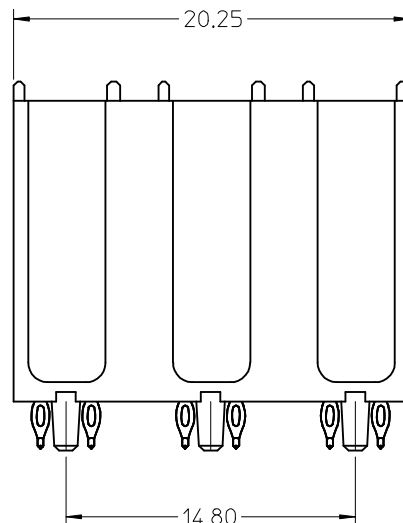
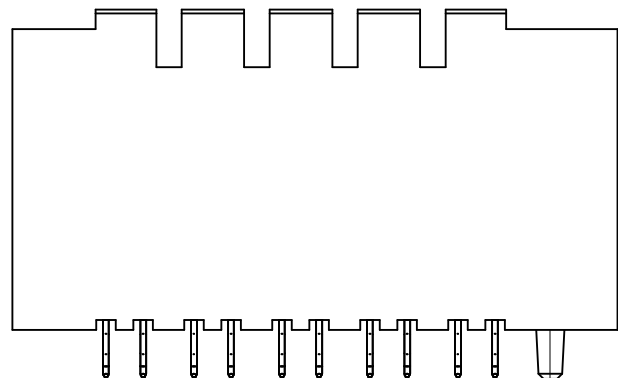
- MATTE TIN PLATED PRODUCT -

FOR EACH ROW LOCATION A, B, C, D, E:

- 0 = VOID
- 2 = 4.5 mm WIPE
- 3 = 6.0 mm WIPE
- 5 = 7.5 mm WIPE



SEE NOTE 4.



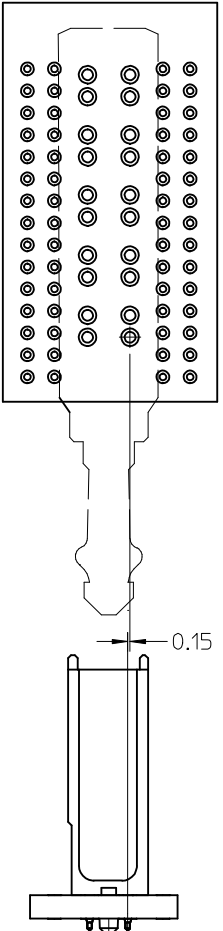
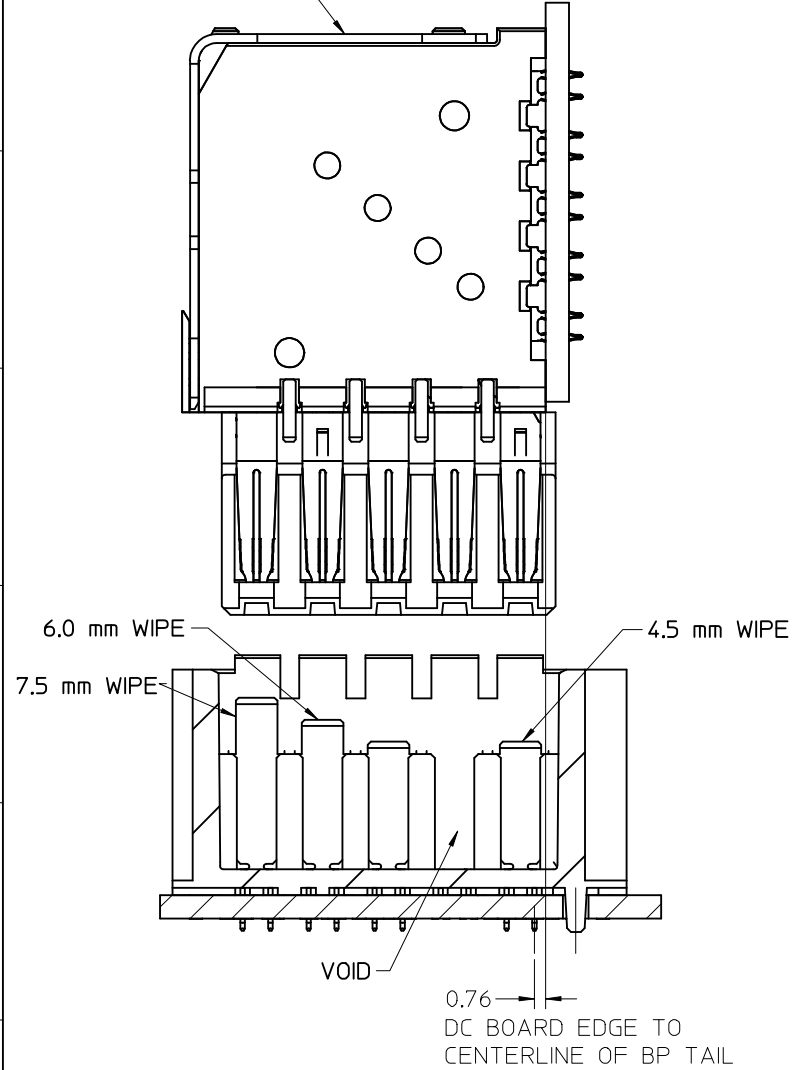
SEE SHEET 1 FOR ADDITIONAL INFORMATION  
CHECK WITH PRODUCT MANAGER FOR AVAILABILITY

SEE SHEET 1	EC NO: UCP2013-2305	QUALITY SYMBOLS	GENERAL TOLERANCES (UNLESS SPECIFIED)	DIMENSION STYLE	SCALE	DESIGN UNITS	THIRD ANGLE PROJECTION
	DRM:RWHIPPLE 2012/12/07	▽=0	mm INCH	MM ONLY	4:1	METRIC	
	CHKD:WOLFE 2012/12/07	▽=0	4 PLACES ± --- ± ---	DRAWN BY DATE	ELO 2006/04/13	TITLE	GBX 5 PAIR BACKPLANE POWER SALES ASSEMBLY
	APPR:SMILLER 2012/12/17	▽=0	3 PLACES ± --- ± ---	CHECKED BY DATE	ELO 2006/04/13	molex	
REV	DESCRIPTION	2 PLACES ± .13 ± ---	APPROVED BY DATE	CUNNINGHAM 2006/04/17	DOCUMENT NO.		SHEET NO.
D		1 PLACE ± 0.25 ± ---	MATERIAL NO.	SEE CHART	SD-75510-001	3 OF 4	
		0 PLACE ± ±	ANGULAR ± --- °	SIZE B	THIS DRAWING CONTAINS INFORMATION THAT IS PROPRIETARY TO MOLEX INCORPORATED AND SHOULD NOT BE USED WITHOUT WRITTEN PERMISSION		

9 8 7 6 5 4 3 2 1

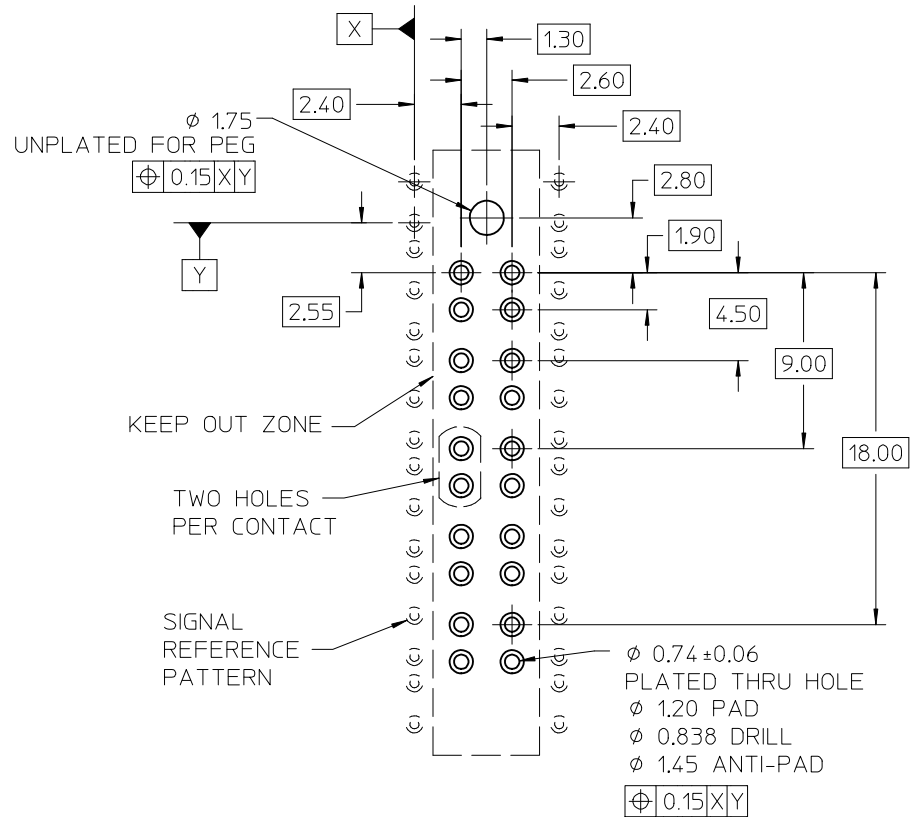
10 9 8 7 6 5 4 3 2 1

SEE NOTE 5.



### HOLE PATTERN FOR 1-UP ASSEMBLY

- 1.) ADD 7.40 FROM CENTERLINES OF PEG FOR MULTIPLE UP ASSEMBLIES.
- 2.) ADD 5.55 FROM CENTERLINE TO CENTERLINE OF PEG FOR INDIVIDUAL POWER MODULES STACKED NEXT TO EACH OTHER.



SEE SHEET 1 EC NO: UCP2013-2305 DRAWN: RWHIPPLE 2012/12/07 CHKD: MWOLFE 2012/12/07 APPR: SMILLER 2012/12/17	DESCRIPTION REV	QUALITY SYMBOLS	GENERAL TOLERANCES (UNLESS SPECIFIED)	DIMENSION STYLE	SCALE	DESIGN UNITS	THIRD ANGLE PROJECTION
		$\nabla = 0$ $\nabla = 0$ $\nabla = 0$	mm    INCH 4 PLACES ± --- ± --- 3 PLACES ± --- ± --- 2 PLACES ± .13 ± --- 1 PLACE ± 0.25 ± --- 0 PLACE ±     ±	MM ONLY	4:1	METRIC	TITLE GBX 5 PAIR BACKPLANE POWER SALES ASSEMBLY <b>molex</b> DOCUMENT NO. SD-75510-001 SHEET NO. 4 OF 4
		ANGULAR ± --- ° DRAFT WHERE APPLICABLE MUST REMAIN WITHIN DIMENSIONS	DRAWN BY DATE ELO 2006/04/13 CHECKED BY DATE ELO 2006/04/13 APPROVED BY DATE CUNNINGHAM 2006/04/17 MATERIAL NO. SEE CHART	THIS DRAWING CONTAINS INFORMATION THAT IS PROPRIETARY TO MOLEX INCORPORATED AND SHOULD NOT BE USED WITHOUT WRITTEN PERMISSION			

9 8 7 6 5 4 3 2 1