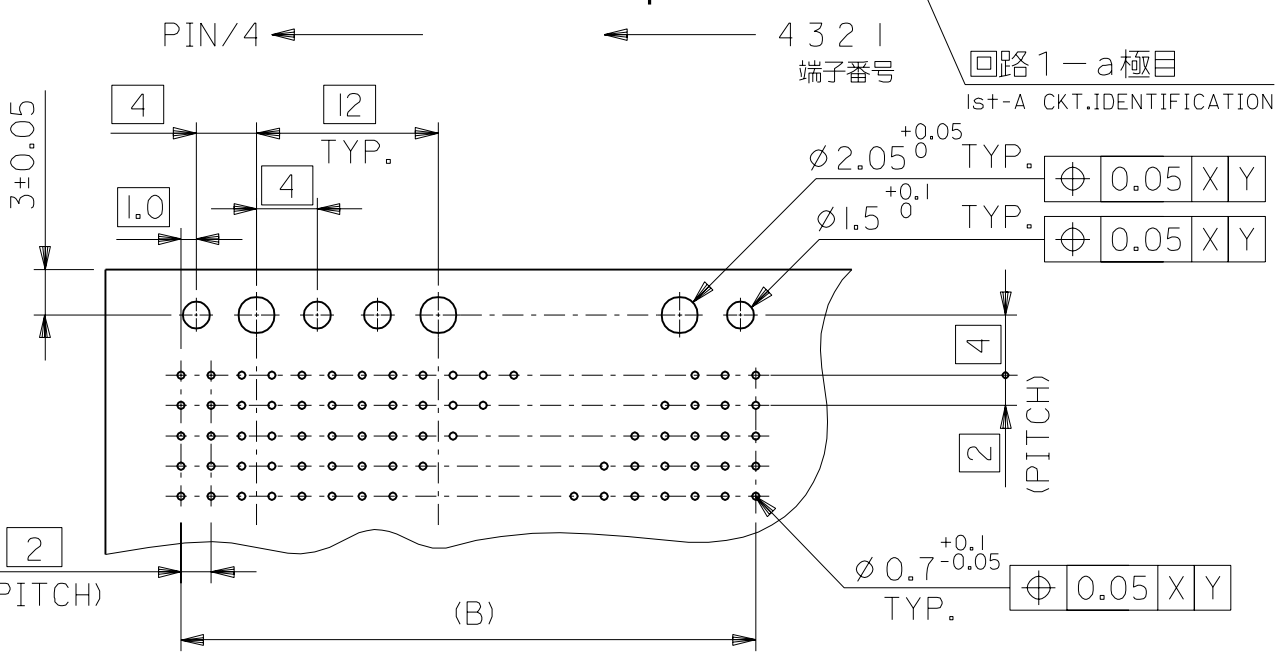
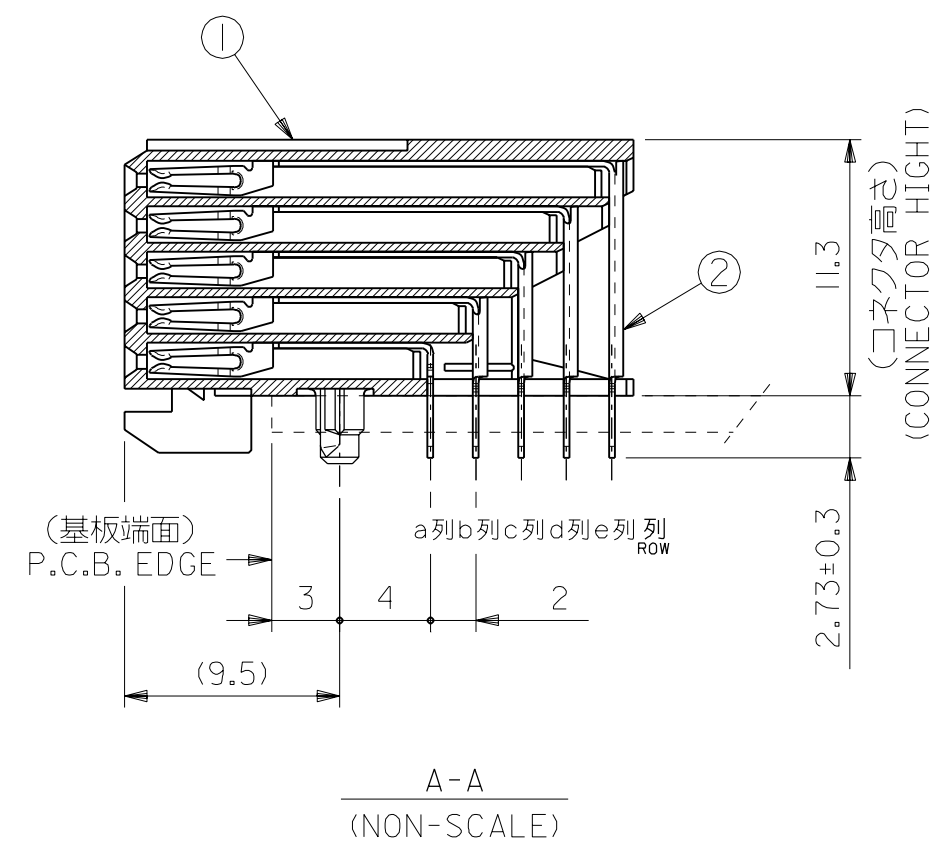
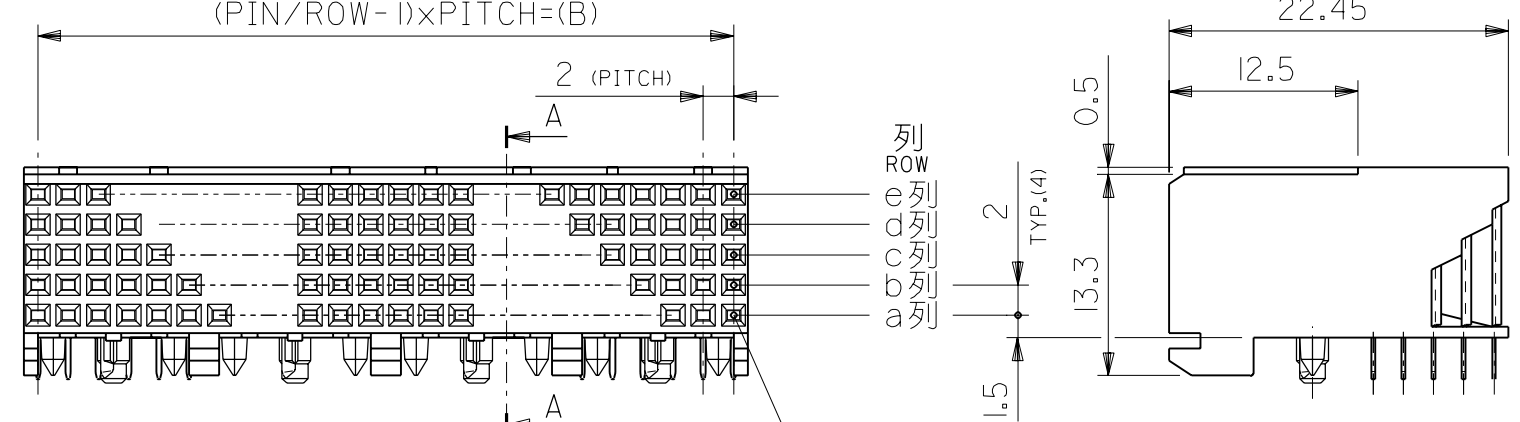
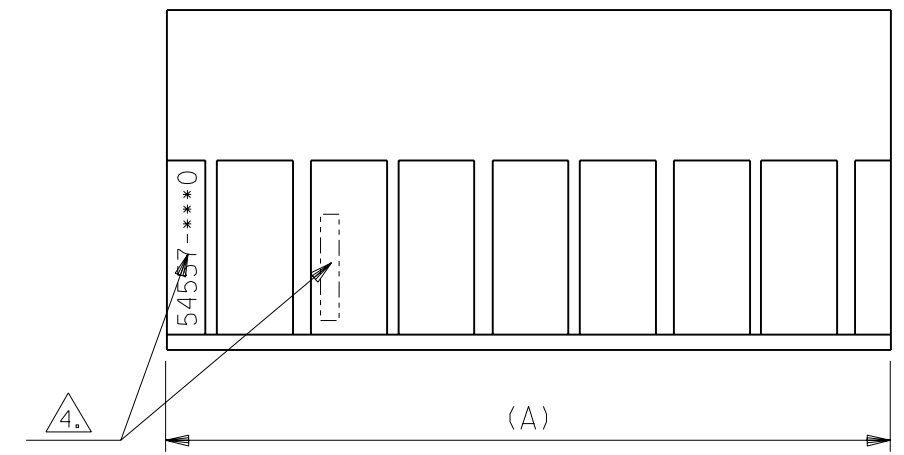


DWG. NO.
SD-54557-005

番号 No.	部品 PART NAME	材質 MATERIAL	仕上げ FINISH
①	リセプタクル ハウジング RECEPTACLE HOUSING	液晶ポリマー、ガラス充填、自然色(白)、UL94V-0 LIQUID CRYSTAL POLYMER, GLASS FILLED, NATURAL(WHITE), UL94V-0	—#—
②	リセプタクル ターミナル RECEPTACLE TERMINAL	リン青銅 PHOSPHOR BRONZE	△1.



- 注記
NOTE :
- △1. ターミナル めっき仕様
TERMINAL PLATING
 金めっき : 0.38 μm MIN. (接点部)
 GOLD : 0.38 μm MIN. (CONTACT AREA)
 半田めっき : 1.0 μm MIN. (半田付け部)
 TIN-LEAD : 1.0 μm MIN. (SOLDER AREA)
 ニッケルメッキ : 2.0 μm MIN. (下地めっき)
 NICKEL : 2.0 μm MIN. (UNDER PLATING)
 - 2. 推奨基板厚 : t=1.6mm
RECOMMENDED P.C.B. THICKNESS :
 - 3. 適合プラグ : 55060, 55332, 55333
APPLICABLE PLUG :
 - △4. 製品番号及びロットナンバー
MATERIAL NO. & LOT NO.

94	95.98	54557-2400	240
46	47.98	54557-1200	120
22	23.98	54557-0600	60
10	11.98	54557-0300	30
B	A	MATERIAL NO.	PIN

DO NOT SCALE DRAWING

REV	DESCRIPTION	材料	仕上げ	適用電線範囲	被覆外径
B	REVISED DRW. NO. JD2001-1438 DRWN: S.HOSHIKAWA '01/04/24 CHK: A.NODA APPR: H.IKESUGI	—#—	—#—	—#—	—#—
A	RELEASED DRW. NO. JD2001-0753 DRWN: S.HOSHIKAWA '00/11/27 CHK: A.NODA APPR: H.IKESUGI	—#—	—#—	—#—	—#—

GENERAL TOLERANCES: (UNLESS SPECIFIED) 一般公差	SCALE	DESIGN UNITS	PROJECTION	TITLE	SHEET NO.
10 UNDER 未満 ±0.2	2-1	mm	2D PROJECTION	"MFB" B/B CONN. (FB+) REC. ASS'Y 5ROW DIP	1 OF 1
10 OVER 30 UNDER 未満 ±0.25		mm		MOLEX INCORPORATED	1 OF 1
30 OVER 以上 ±0.3		mm			
ANGLE 角度 ±3°					

MODEL NO. : 54557-***0	DIMENSIONS:	SHT	REV
	mm INCH mm ONLY		
DRAWN BY & DATE CHECKED BY & DATE APPROVED BY & DATE CAD FILENAME			
DRAWING NO. SD-54557-005		SHEET NO. 1 OF 1	
THIS DRAWING CONTAINS INFORMATION THAT IS PROPRIETARY TO MOLEX INCORPORATED AND SHOULD NOT BE USED WITHOUT WRITTEN PERMISSION.			

SD-54557-005.001