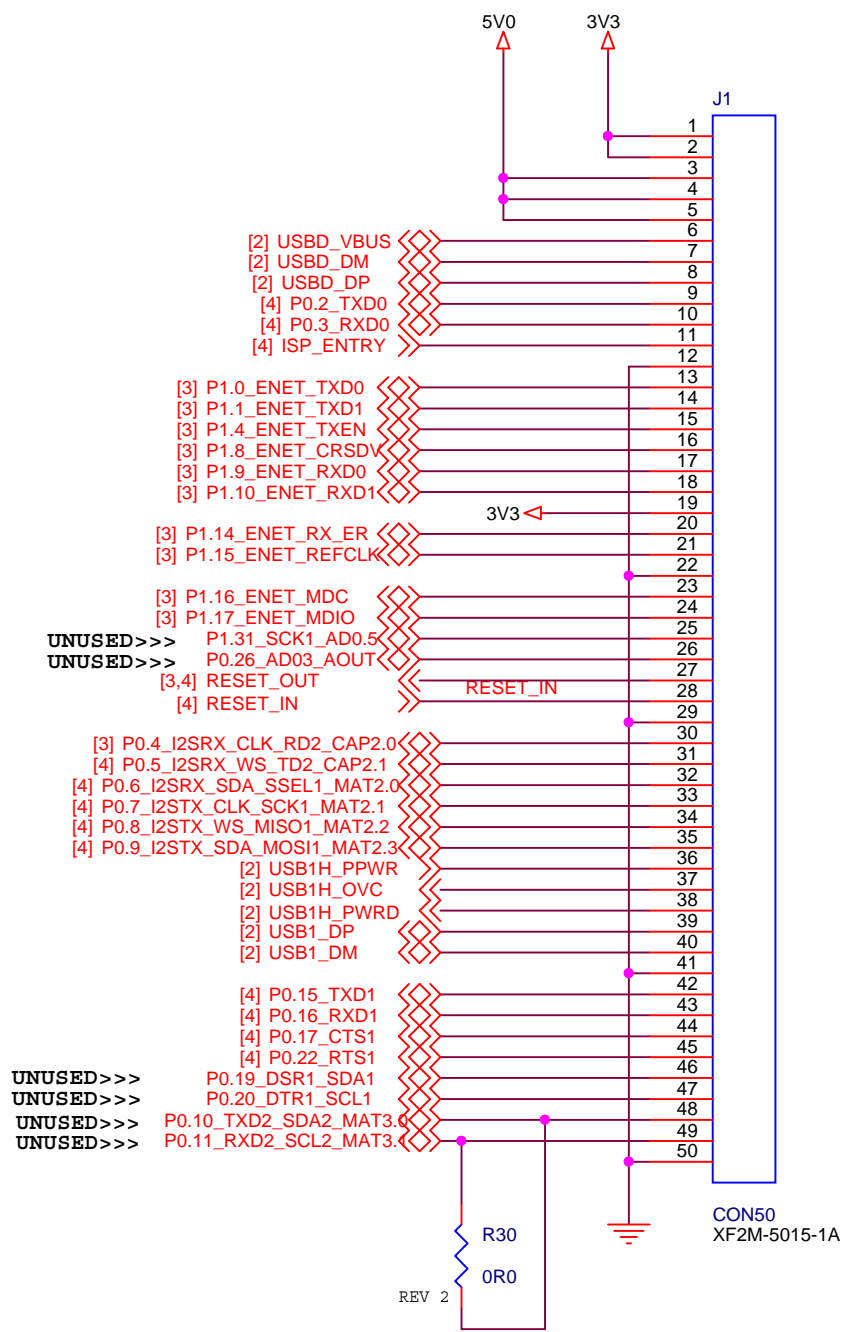
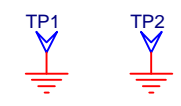
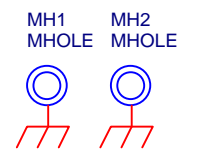
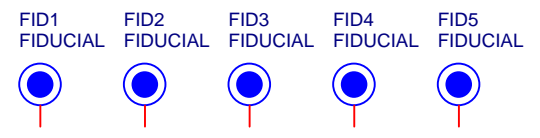


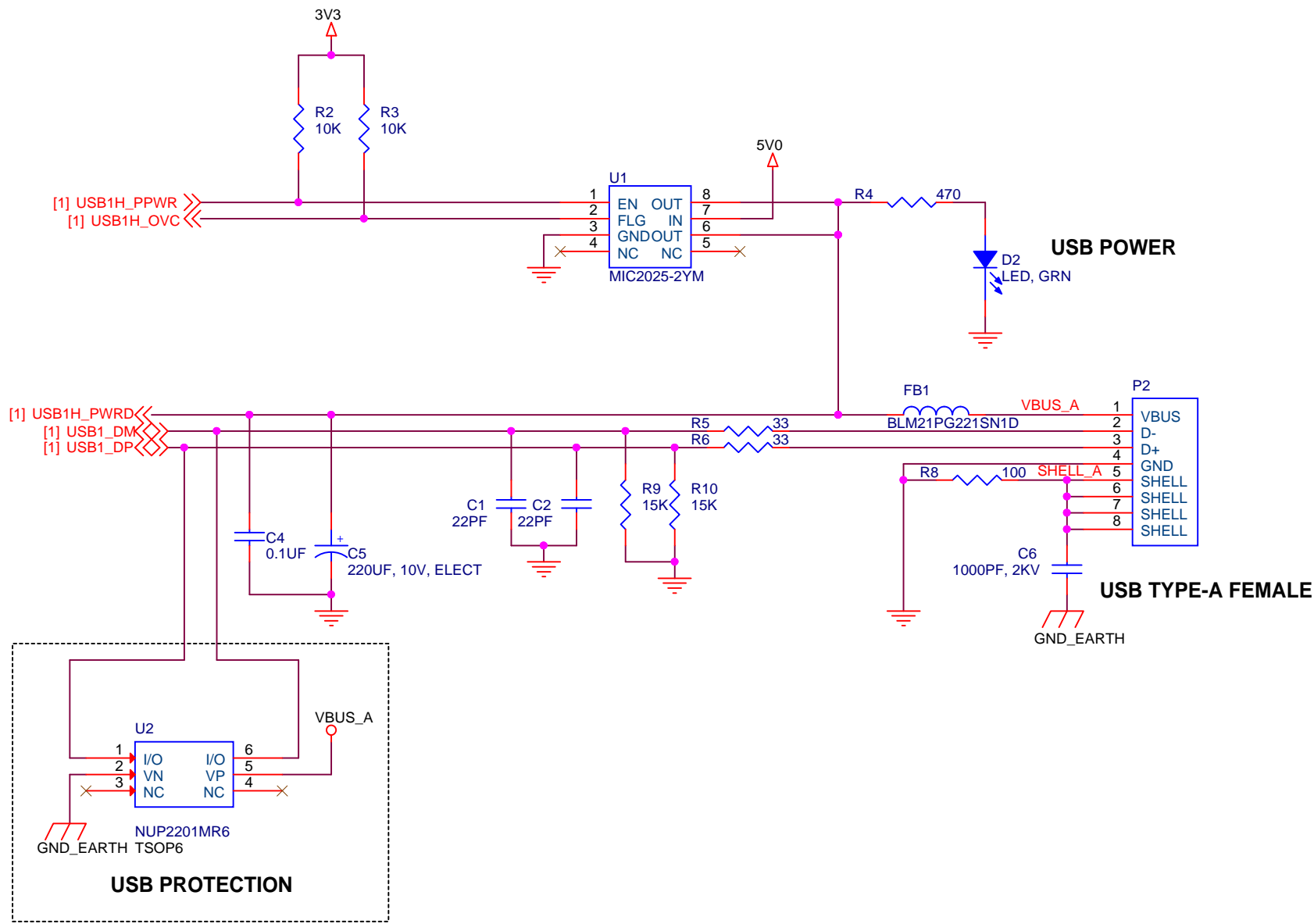
RESET

RIGHT ANGLE SMT SO THAT PAPERCLIP MAY RESET THROUGH PINHOLE

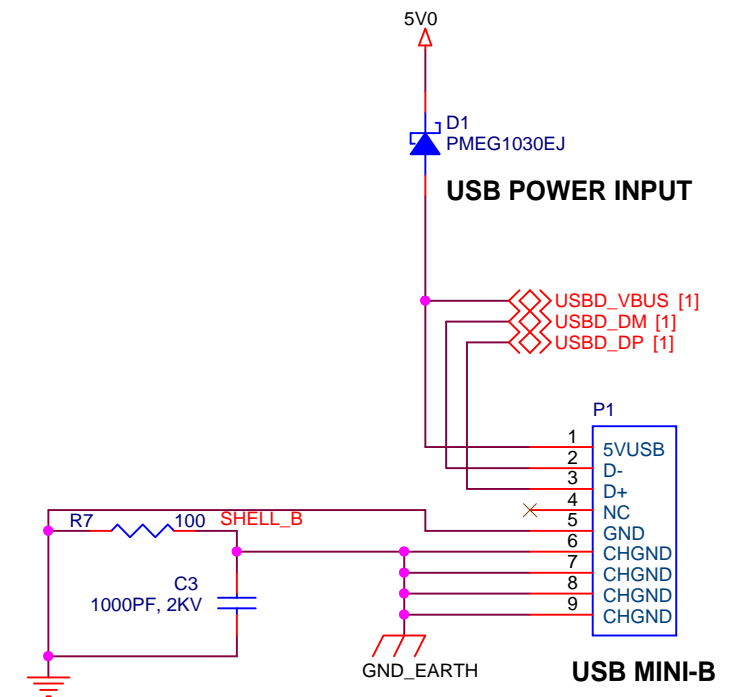


NOTE: PINOUT IS MIRRORED IMAGE TO MAIN BOARD SINCE FPC CABLE IS DIRECT CONNECT, FACE-TO-FACE (PIN 1 OF CONNECTORS IS OPPOSITE FROM EACH OTHER)

FUTURE DESIGNS, INC. 2702 TRIANA BLVD HUNTSVILLE, AL 35805		FDI
Title uEZGUI EXPANSION BOARD 1		
Size B	Document Number uEZGUI_EXP1_SCH_2.DSN	Rev 2
Date: Wednesday, May 04, 2011	Sheet 1	of 5

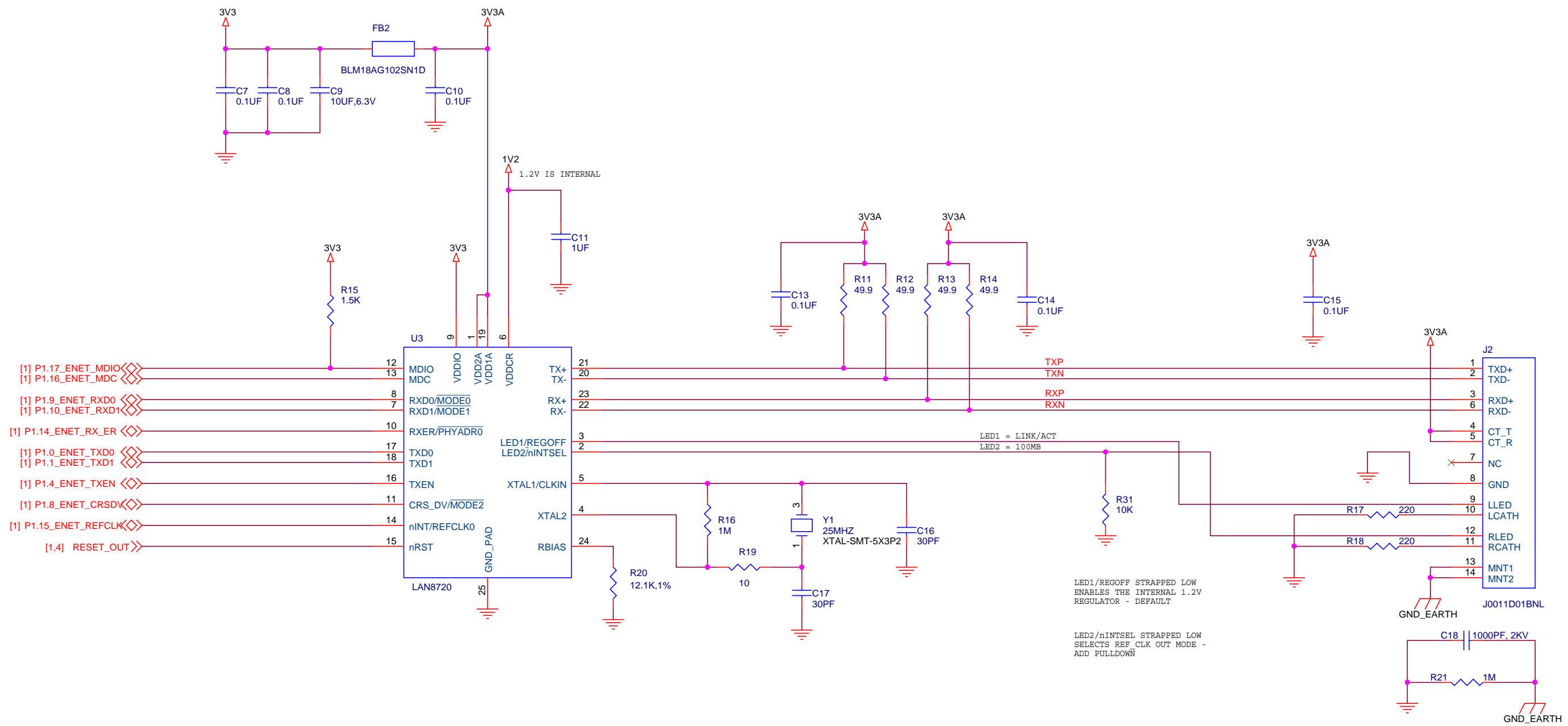


USB HOST



**USB DEVICE
(PARALLEL WITH UEZ GUI BOARD)**


FUTURE DESIGNS, INC. 2702 TRIANA BLVD HUNTSVILLE, AL 35805		FDI
Title uEZGUI EXPANSION BOARD 1		
Size B	Document Number uEZGUI_EXP1_SCH_2.DSN	Rev 2
Date: Wednesday, May 04, 2011	Sheet 2	of 5

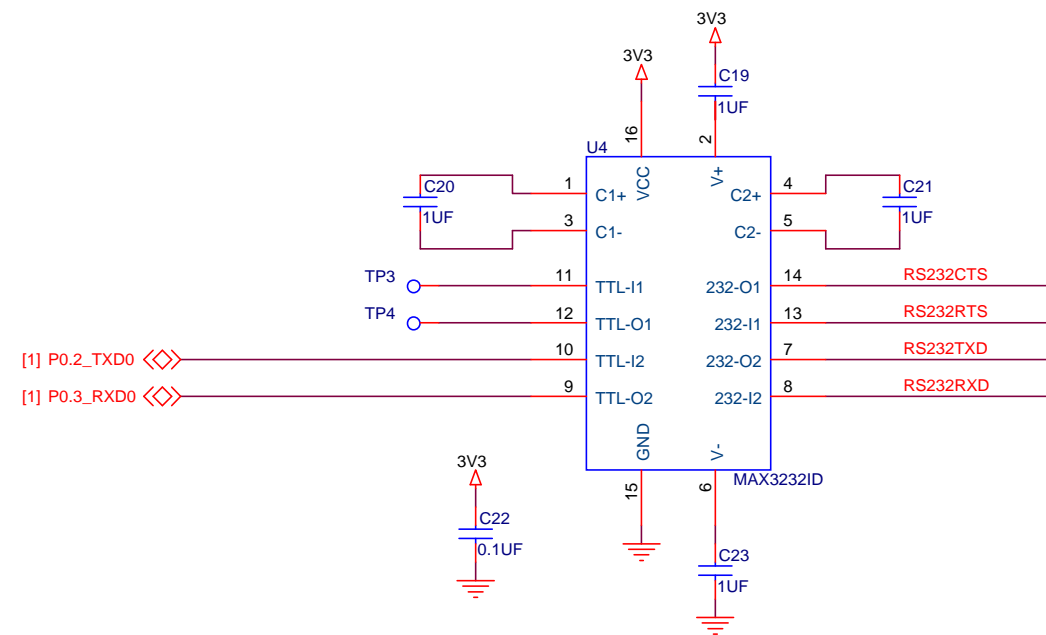


ETHERNET

LED1/REGOFF STRAPPED LOW
 ENABLES THE INTERNAL 1.2V
 REGULATOR - DEFAULT

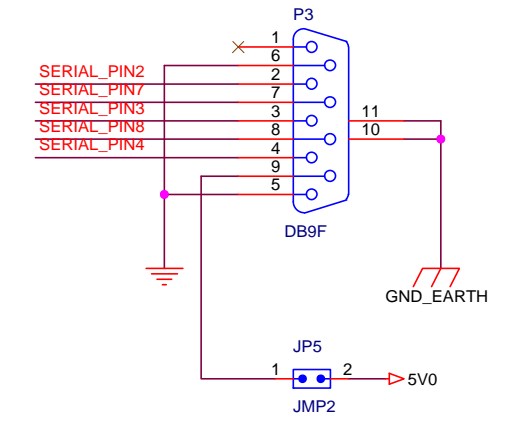
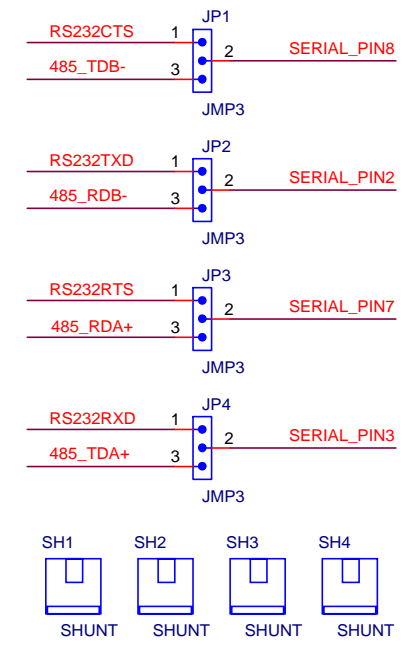
LED2/nINTSEL STRAPPED LOW
 SELECTS REF_CLK OUT MODE -
 ADD PULLDOWN

FUTURE DESIGNS, INC. 2702 TRIANA BLVD HUNTSVILLE, AL 35805			
Title uEZGUI EXPANSION BOARD 1			
Size	Document Number uEZGUI_EXP1_SCH_2.DSN	Rev 2	
Date:	Wednesday, May 04, 2011	Sheet	3 of 5

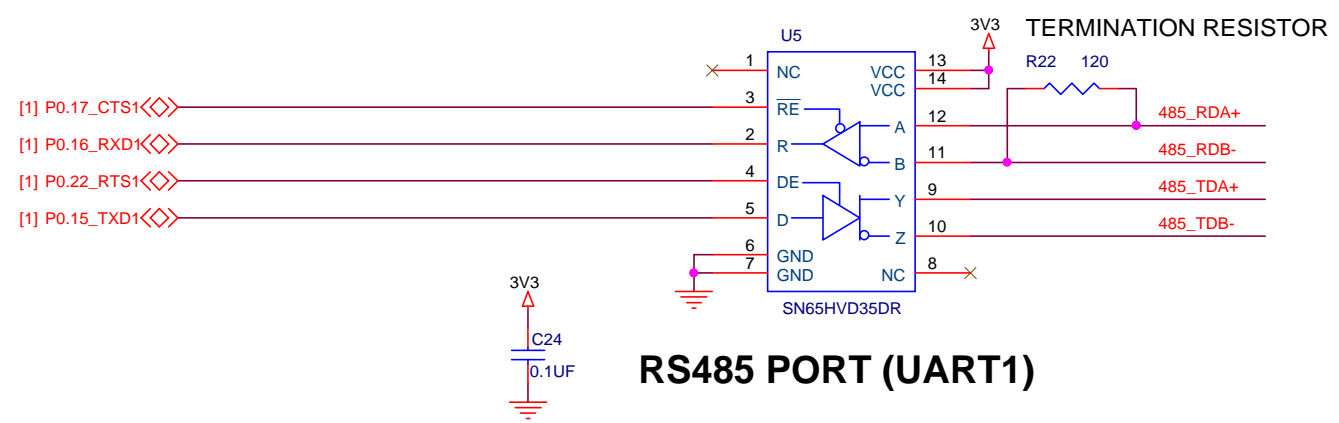


RS232 PORT (UART0)

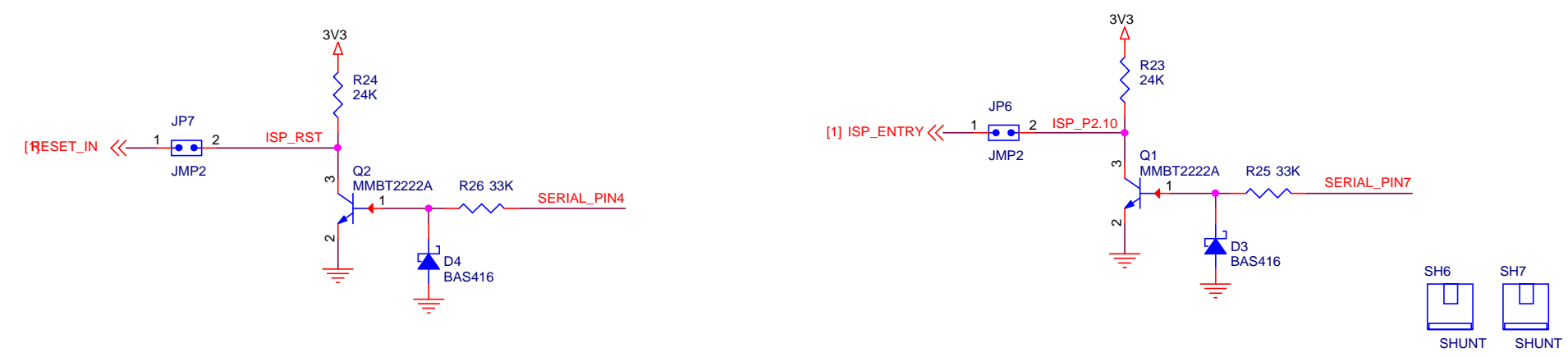
**JUMPER 1-2 FOR RS232 ON UART0
JUMPER 2-3 FOR RS485 ON UART1
DEFAULT 1-2**



JUMPER HERE FOR POWER THROUGH DB9 (IN OR OUT) TYPICALLY FOR RS485 OPERATION

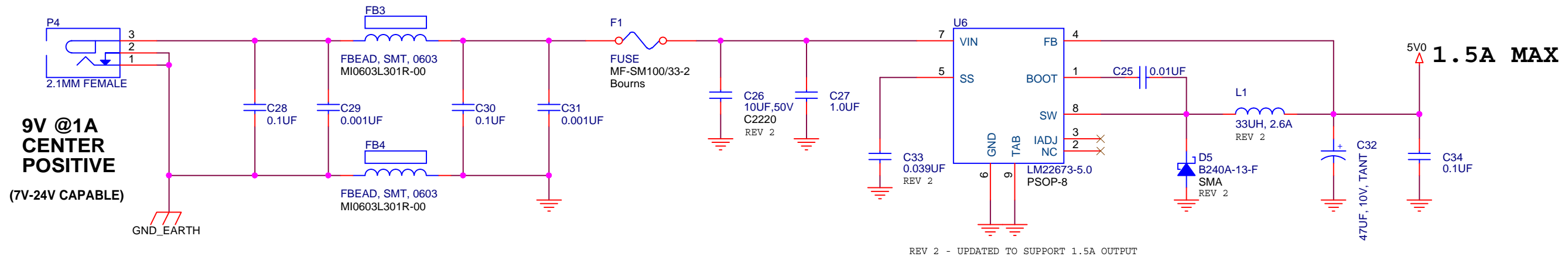


RS485 PORT (UART1)



**ISP CONTROL CIRCUITRY
JUMPERS JP1-JP4 MUST BE IN RS232 (UART0) SETTINGS
JUMPERS JP6 & JP7 MUST BE SHORTED
DEFAULT OPEN**

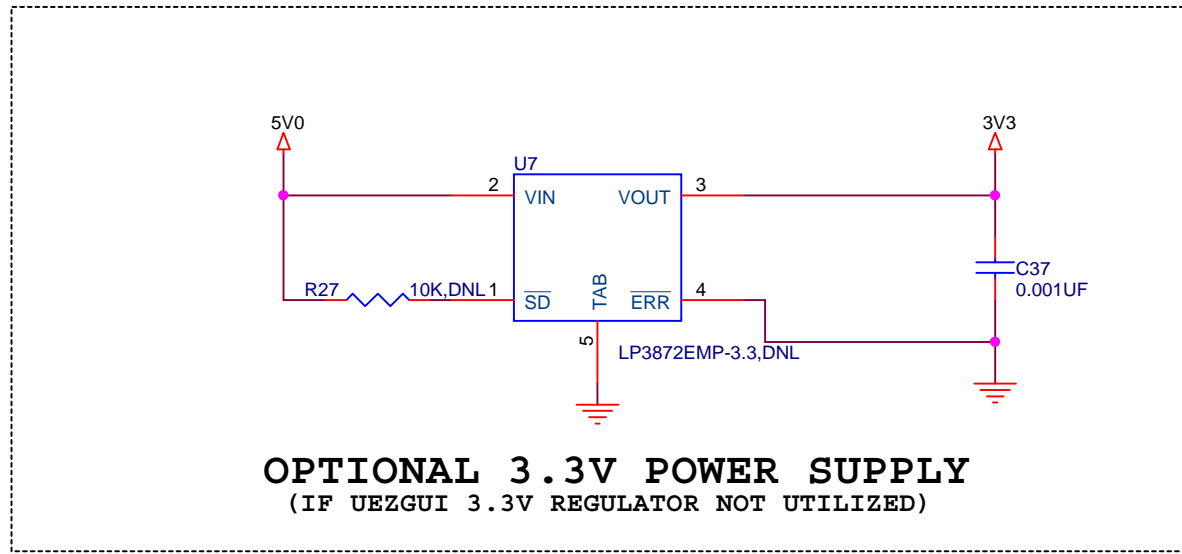
FUTURE DESIGNS, INC. 2702 TRIANA BLVD		FDI
Title uEZGUI EXPANSION BOARD 1		
Size	Document Number CustomuEZGUI_EXP1_SCH_2.DSN	Rev 2
Date:	Wednesday, May 04, 2011	Sheet 4 of 5



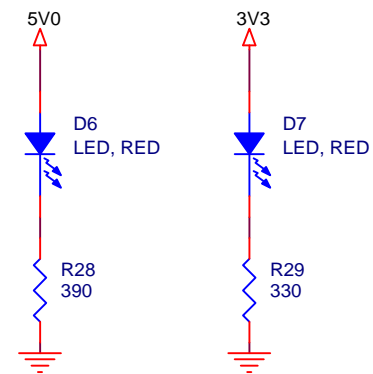
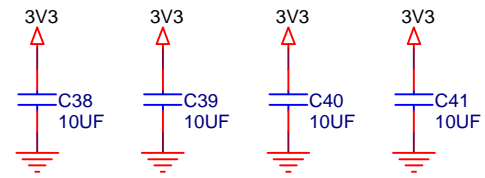
**9V @1A
CENTER
POSITIVE**
(7V-24V CAPABLE)

5V0 1.5A MAX

REV 2 - UPDATED TO SUPPORT 1.5A OUTPUT



OPTIONAL 3.3V POWER SUPPLY
(IF UEZGUI 3.3V REGULATOR NOT UTILIZED)



FUTURE DESIGNS, INC. 2702 TRIANA BLVD HUNTSVILLE, AL 35805		FDI
Title uEZGUI EXPANSION BOARD 1		
Size	Document Number uEZGUI_EXP1_SCH_2.DSN	Rev 2
Date:	Monday, February 17, 2014	Sheet 5 of 5