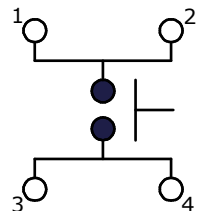
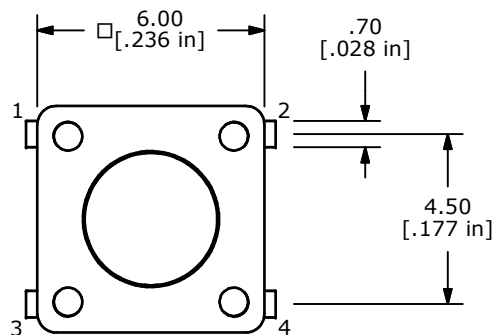


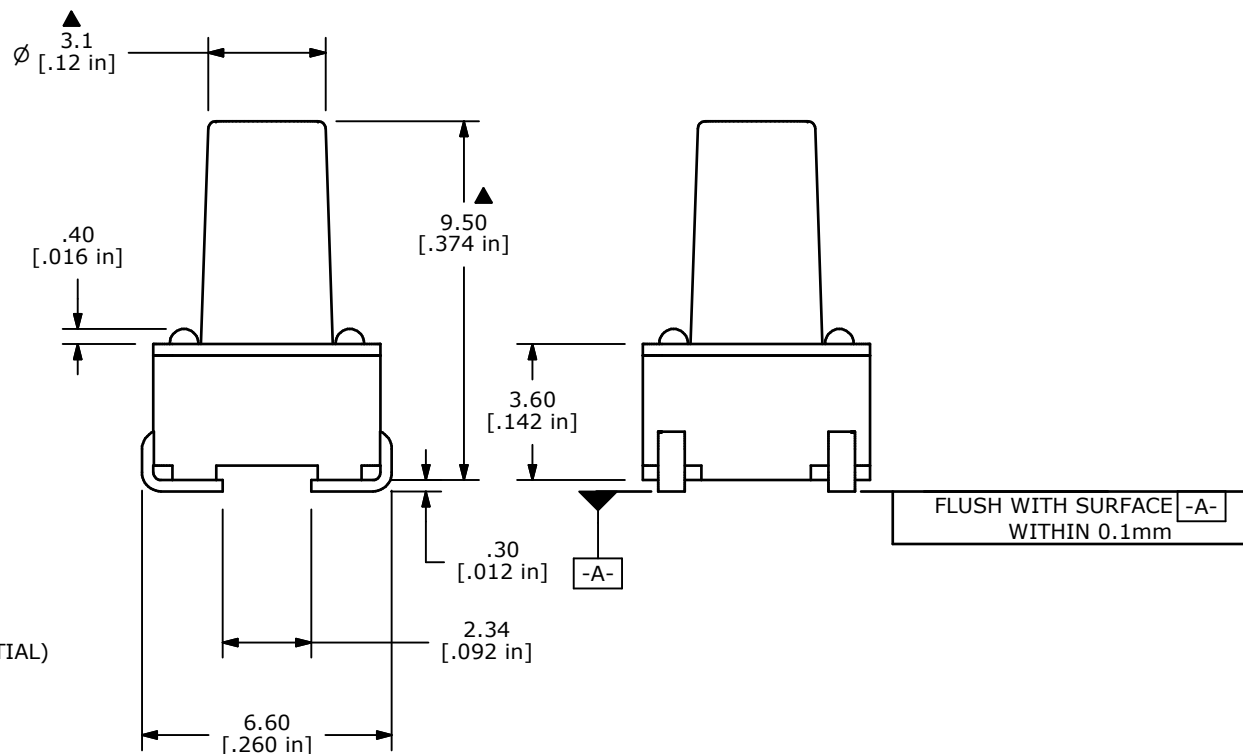
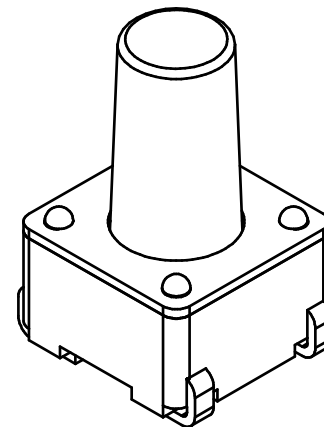
P.C.B. LAYOUT



CIRCUIT: SPST



ISOMETRIC



NOTES:

1. ALL DIMENSIONS IN MM
2. GENERAL TOLERANCE: X.X=±0.4
X.XX=±0.25
3. TERM. NOS. FOR REFERENCE ONLY.
4. RATING: 50mA @ 12VDC
- ▲5. OPERATING FORCE: 260 ± 50 g
6. TRAVEL: 0.25mm +0.2/ -0.1
7. CONTACT RESISTANCE: 100 MILLI OHMS MAX. (INITIAL)
8. MECHANICAL/ELECTRICAL LIFE: 100,000 CYCLES.
- ▲9. CONTACT MATERIAL: SILVER
10. PACKAGE: 90 PER Tube
11. ▲ DENOTES CRITICAL PARAMETER
12. 2002/95/EC (ROHS) COMPLIANT.
13. OPERATING TEMPERATURE: -20°C TO 70°C



TITLE TL3301BF260QJ

A	19148	Release For Production	6/21/10	BLR
REV	PCR NO	DESCRIPTION	DATE	BY

SCALE	DATE	DR	DWG	REV
5:1	6/21/2010	BLR	P010658	A

THE INFORMATION CONTAINED IN THIS DOCUMENT IS PROPRIETARY TO E-SWITCH AND IS NOT TO BE COPIED OR TRANSFERRED