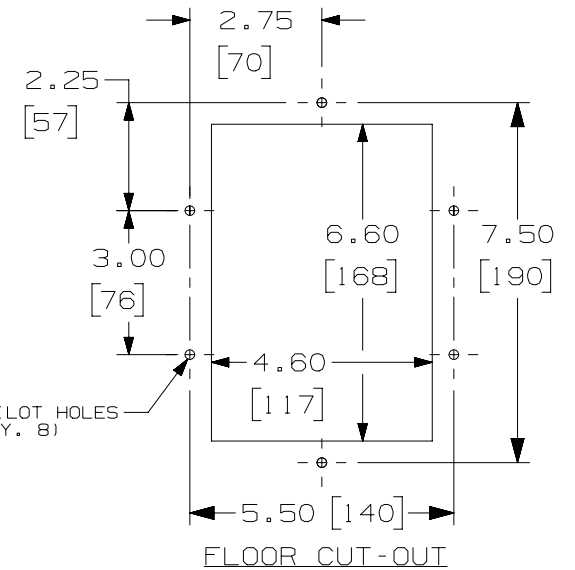
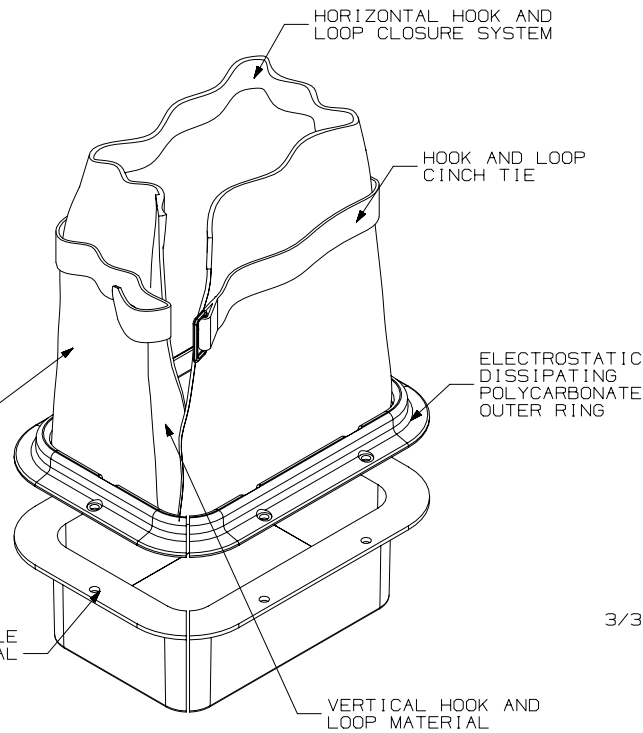
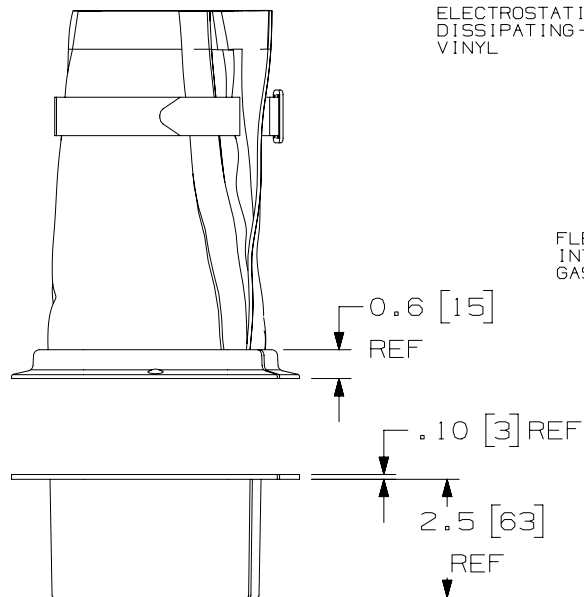
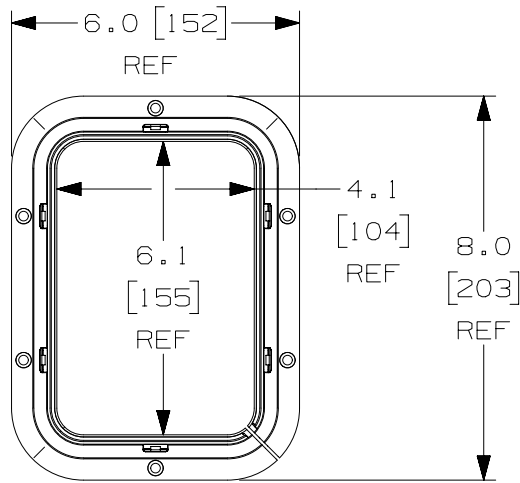
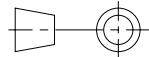


THIS COPY IS PROVIDED ON A RESTRICTED BASIS AND IS NOT TO BE USED IN ANY WAY DETRIMENTAL TO THE INTERESTS OF PANDUIT CORP.

NOTE:

- VISIT OUR ON-LINE CATALOG AT WWW.PANDUIT.COM FOR A LIST OF CURRENT PARTS APPLICABLE FOR USE WITH THIS PRODUCT.
- DIMENSIONS IN PARENTHESES ARE METRIC [mm].
- PARTS SUPPLIED:
 (6) PHILLIPS PANHEAD SELF-DRILL SCREWS, #6 x 5/8"
 (1) OUTER RING WITH HOOKS
 (1) FLEXIBLE INTEGRAL GASKET
 (1) INSTALLATION INSTRUCTION (NOT SHOWN)



TITLE		RAISED FLOOR GROMMET RFG6X8(Y)	
		CUSTOMER DRAWING	
ITEM REVISION NAME		G03405AC/05	
DATASET FILE NAME		G03405AC_DC_GB3405VA/05C	
MATERIAL:		PANDUIT	
		N/A	
DRAWING NUMBER:		GB3405VA	
 THIRD ANGLE PROJECTION			
DRAWN BY	DATE	CHK	SCALE
ARHA	1/18/08	KLN	1:4
SHT 1 OF 1		A	

REV	DATE	BY	CHK	APR	DESCRIPTION	ECN
01B	3/14/19	MEX-JAGC	RAMA	SJP	ADDED METRIC DIMENSIONS, NOTES UPDATED	V09001WS/00
1	03/11/08	ARHA			CHANGED HOLE CONFIGURATION	GB3405VA
R	01/18/08	ARHA			INITIAL RELEASE	GB3405VA

D10100DA/20