



## Product brief

# MOTIX™ Bridge IFX9201SG

## Industrial 6 A H-bridge with SPI diagnosis

MOTIX™ IFX9201SG is a general purpose 6 A H-bridge. It is designed for the control of small DC motors and inductive loads.

Based on the automotive know-how, the IFX9201SG is optimized for non-automotive applications such as industrial applications, home appliances and building automation, power tools battery management and electric toys.

The outputs can be pulse width modulated at frequencies up to 20 kHz by means of PWM/DIR control. While the signal at the DIR input defines the direction of the DC motor, the PWM signal controls the duty cycle. PWM/DIR control reduces the number of PWM capable pins needed at the microcontroller.

For load currents above the current limitation threshold (8 A typ) the H-bridge switches into chopper current limitation mode.

The MOTIX™ IFX9201SG is protected against short circuits and over temperature and provides diagnosis via SPI or basic error feedback via status flag. Open load can be detected when the bridge is disabled or during PWM operation of inductive loads.

The robust PG-DSO-12 package provides excellent thermal performance due to the thick copper heat slug and is well suited for automatic optical solder inspection.

### Applications

- > DC motor control for industrial applications
- > Home and building automation
- > Power tools battery management
- > Industrial robotic applications
- > Electric toys

### Key features

- >  $R_{DS(on)}$  (typ) = 100 mΩ per switch
- > Operation voltage 5.0 V to 36.0 V, 3.3 V and 5.0 V compatible logic inputs (TTL/CMOS)
- > Low stand-by current
- > Short circuit and overtemperature protection
- >  $V_S$  undervoltage shutdown
- > Open load detection in ON and OFF state
- > Detailed SPI diagnosis or simple error flag
- > Green product (RoHS compliant)

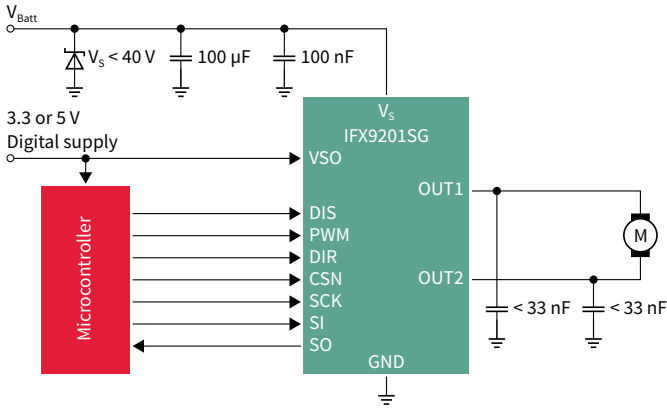
### Key benefits

- > Small package saves board space
- > Includes over current and overtemperature protection
- > Simple design with few external components
- > SPI enables for easy diagnosis

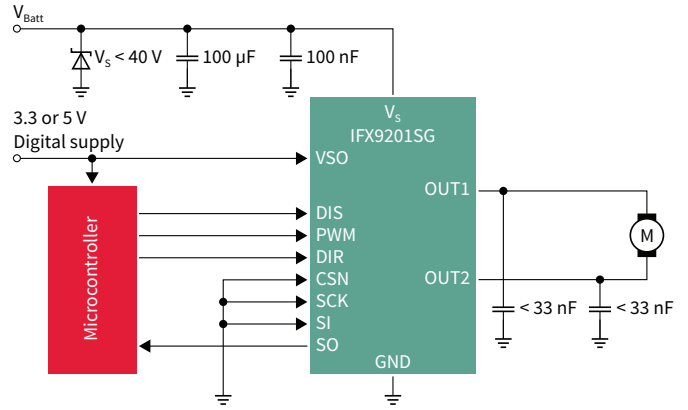
# MOTIX™ IFX9201SG

## Industrial 6 A H-bridge with SPI diagnosis

### Application example H-bridge with SPI interface

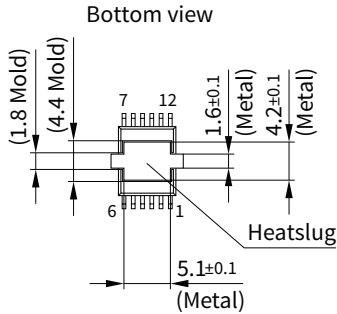


### Application example H-bridge with error flag



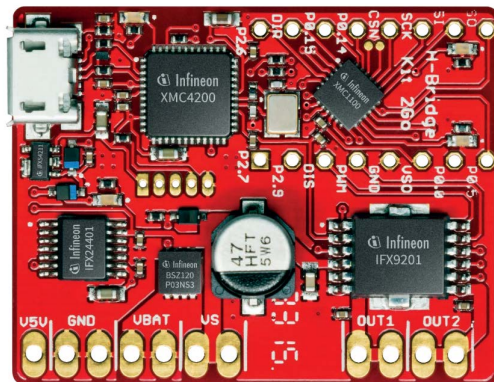
### PG-DSO-12 advantages

- > Small footprint (6 x 6 mm<sup>2</sup>)
- > 1 mm pitch
- > Great thermal performance  $R_{thJC} < 2$  K/W
- > Easy optical inspection



### H-bridge kit 2Go

The ready to use evaluation kit is equipped with all electronic components, including the H-bridge IFX9201 and an ARM® Cortex®-M0 CPU.



### Product summary

Product type	Current limit (min) [A]	Quiescent current (typ) [µA]	Operating range [V]	$R_{DS(on)}$ (typ/switch) [mΩ]	$R_{thJC}$ (max) [K/W]	Package
MOTIX™ IFX9201SG	6	19	5–36	100	2	PG-DSO-12

Published by  
Infineon Technologies AG  
81726 Munich, Germany

© 2021 Infineon Technologies AG.  
All Rights Reserved.

#### Please note!

This Document is for information purposes only and any information given herein shall in no event be regarded as a warranty, guarantee or description of any functionality, conditions and/or quality of our products or any suitability for a particular purpose. With regard to the technical specifications of our products, we kindly ask you to refer to the relevant product data sheets provided by us. Our customers and their technical departments are required to evaluate the suitability of our products for the intended application.

We reserve the right to change this document and/or the information given herein at any time.

#### Additional information

For further information on technologies, our products, the application of our products, delivery terms and conditions and/or prices, please contact your nearest Infineon Technologies office ([www.infineon.com](http://www.infineon.com)).

#### Warnings

Due to technical requirements, our products may contain dangerous substances. For information on the types in question, please contact your nearest Infineon Technologies office.

Except as otherwise explicitly approved by us in a written document signed by authorized representatives of Infineon Technologies, our products may not be used in any life-endangering applications, including but not limited to medical, nuclear, military, life-critical or any other applications where a failure of the product or any consequences of the use thereof can result in personal injury.