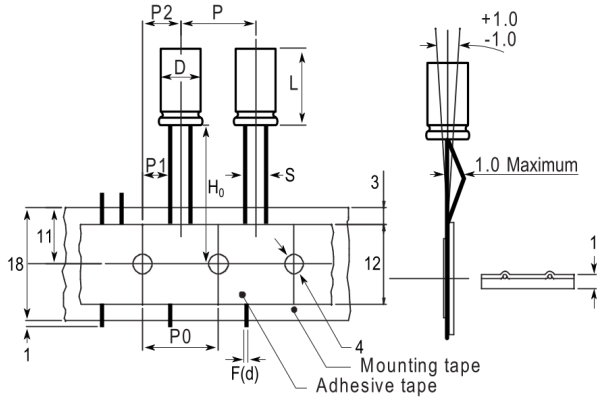


Straight Leads Diameter > 8
Lead and packaging code EA and KA



Note: '()' correspond to the letters used in the product bulletin

Click [here](#) for the 3D model.

Dimensions

D	16mm +/-0.5mm
L	32mm +2mm
S	7.5mm +/-0.5mm
LL Negative	15mm MIN
LL Positive	20mm MIN
F	0.8mm NOM

Packaging Specifications

Packaging	Ammo
Packaging Quantity	300

General Information

Series	ESC
Dielectric	Aluminum Electrolytic
Description	LowESR Single Ended Aluminum Electrolytic
Features	Low ESR
RoHS	Yes
Lead	Wire Leads
AEC-Q200	No

Specifications

Capacitance	2,200 uF
Capacitance Tolerance	20%
Voltage DC	25 VDC, 32 VDC (Surge)
Temperature Range	-40/+105°C
Rated Temperature	105°C
Life	3000 Hrs
Dissipation Factor	14%
Resistance	0.024 Ohms (100kHz)
Ripple Current	2200 mAmps (100kHz 105C)
Leakage Current	550 uA (2min 20°C)
Impedance Ratio at -25C	3
Impedance Ratio at -40C	4