

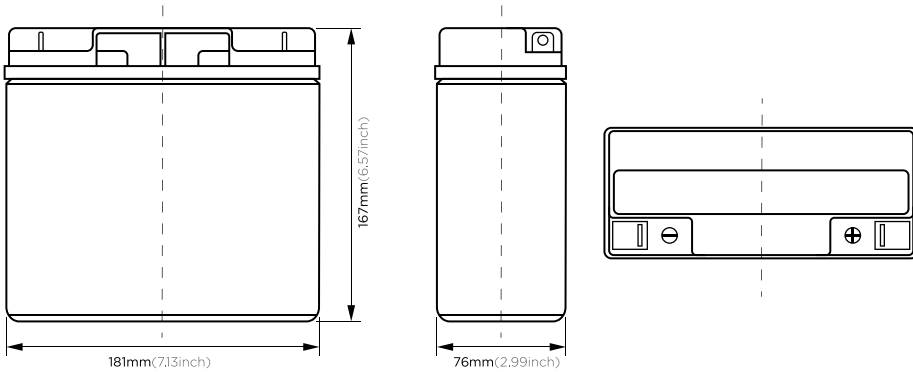
BGH-12180NB

(12V 18Ah)

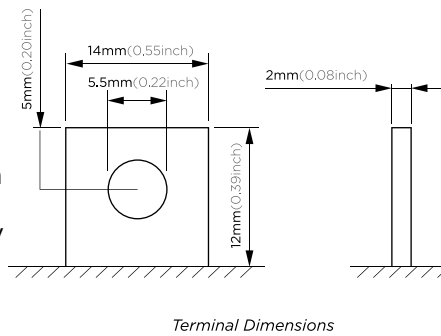
Rechargeable Sealed Lead Acid Battery (High Rate Series)



Technical Specification Sheet



General Series Valve Regulated Lead Acid batteries are designed with AGM (Absorbent Glass Mat) technology, high performance plates and electrolyte to gain extra power output for many commonly used applications. Special one-way valves allow excessive gases to escape but otherwise the battery is completely sealed and therefore maintenance-free, leak proof and usable in any position



Application

- Alarm System
- Cable Television
- Communication Equipment
- Control Equipment
- Security System
- Medical Equipment
- UPS
- Emergency Power System
- Toys

Performance Characteristics

Designed Floating Life	5 Years			
Capacity (25°C)	20HR(1.1A,1.75V)	10HR(2.1A,1.75V)	5HR(3.74A,1.75V)	1HR(14.3A,1.75V)
	18.2AH	18AH	16AH	13AH
Dimensions	Length	Width	Height	Total Height
	181mm(7.13inch)	76mm(2.99inch)	167mm(6.57inch)	167mm(6.57inch)
Approx. Weight	5.4kg(11.9lbs)			
Internal Resistance	Full charged at 25°C: 0.014 Ohm			
Self Discharge	3% of capacity declined per month at (25°C)			
Capacity Affected by Temp. (20HR)	40°C	25°C	0°C	-15°C
	102%	100%	85%	65%
Charge Voltage (25°C)	Cycle use		Float use	
	14.4-15V(-30mV/°C), max. Current: 6A		13.6-13.8V(-20mV/°C)	

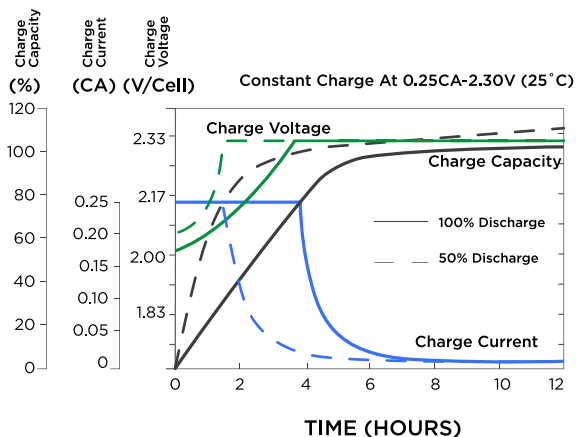
General Features

- Superb high-rate discharge characteristics that ensure reliable performance in UPS applications.
- Sealed non-spillable maintenance free operation.
- Flexible installation in any position.
- ABS containers and covers (UL94HB, UL94V0) optional.
- VRLA Absorbent Glass Mat (AGM) Technology guarantees safe operation without maintenance.
- Approved for transport by air. D.O.T., I.A.T.A. and F.A.A. certified.
- High quality and high reliability.
- Exceptional deep discharge recovery performance.
- Low self-discharge characteristics

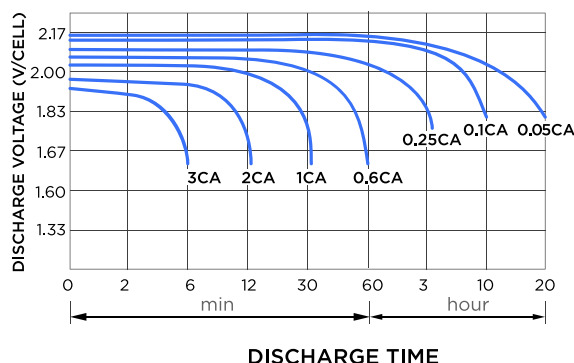
Battery Construction

Component	Positive plate	Negative plate	Container	Cover	Safety valve	Terminal	Separator	Electrolyte
Raw material	Lead dioxide	Lead	ABS	ABS	Rubber	Copper	Fiberglass	Sulfuric acid

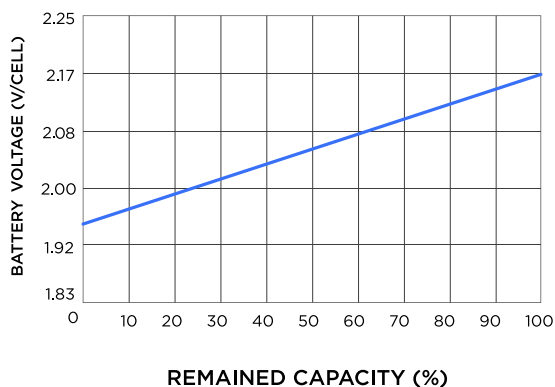
Charge characteristic



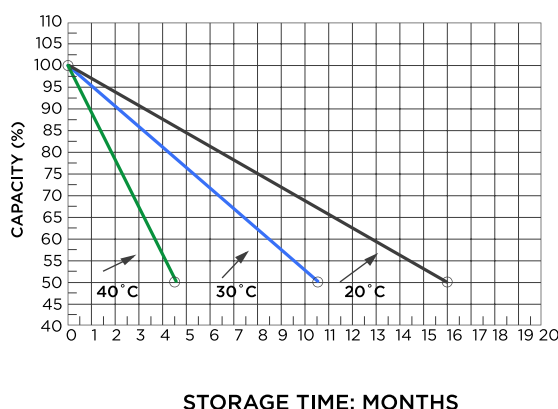
Discharge characteristic (25°C)



Relationship of OCV and state of charge



Self-discharge characteristic



Constant current discharge ratings (Amperes at 77°F 25°C)

F. V / T i m e	5 min	10 min	15 min	30 min	1HR	3HR	5HR	10HR	20HR
1.60V	98.1	61.0	46.0	28.1	15.6	6.86	4.19	2.28	1.23
1.67V	92.1	57.9	44.3	26.9	15.4	6.60	4.11	2.26	1.19
1.70V	84.4	55.8	43.2	24.4	15.0	6.16	4.02	2.25	1.17
1.75V	82.7	54.1	41.8	23.2	14.3	5.95	3.93	2.25	1.14
1.80V	74.0	51.6	38.0	21.5	13.3	5.72	3.70	2.20	1.11
1.85V	65.3	49.2	34.2	19.8	12.4	5.51	3.46	2.17	1.08

Constant power discharge ratings (Watts at 77°F 25°C)

F. V / T i m e	5 min	10 min	15 min	30 min	1HR	3HR	5HR	10HR	20HR
1.60V	172.1	110.2	84.0	50.6	28.2	12.2	7.09	4.69	2.46
1.67V	166.1	107.4	83.0	49.5	28.0	11.8	7.06	4.66	2.38
1.70V	156.3	106.4	82.3	46.4	27.5	11.3	6.97	4.63	2.35
1.75V	157.4	106.0	81.6	45.0	27.0	11.0	6.91	4.58	2.29
1.80V	144.0	104.5	75.7	42.9	25.5	10.7	6.69	4.52	2.23
1.85V	130.6	99.1	68.6	40.2	24.0	10.4	6.48	4.46	2.14