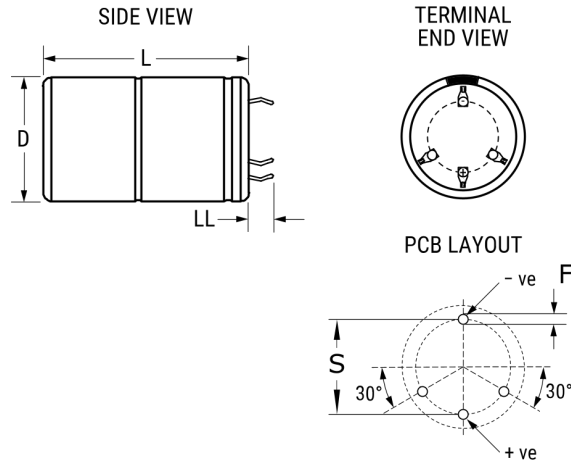


## ALA8DE561DE400

Aliases (A543EG561M400E)

ALA8D, Aluminum Electrolytic, 560 uF, 20%, 400 VDC, -40/+105°C



Click [here](#) for the 3D model.

### Dimensions

D	35mm +1mm
L	45mm +/-2mm
S	22.5mm +/-0.1mm
LL	4mm +/-1mm
F	2mm +/-0.1mm

### Packaging Specifications

Packaging	Bulk, Bag
Packaging Quantity	100

### General Information

Series	ALA8D
Dielectric	Aluminum Electrolytic
Description	Snap-In, Aluminum Electrolytic
RoHS	Yes
Lead	4 Pin
Qualifications	AEC-Q200
AEC-Q200	Yes
Halogen Free	Yes
Component Weight	75 g
Miscellaneous	Vibration: <= 35mm 1.5mm displacement amplitude or 20G maximum acceleration. Vibration applied for three directions of 4-hour sessions at 10 - 2,000 Hz. (Capacitor clamped by body.).
Shelf Life	156 Weeks

### Specifications

Capacitance	560 uF
Capacitance Tolerance	20%
Voltage DC	400 VDC, 440 VDC (Surge)
Temperature Range	-40/+105°C
Rated Temperature	105°C
Life	8000 Hrs (Rated Voltage And Ripple Current At 105C), 13000 Hrs (Rated Voltage At 105C)
Resistance	275.2 mOhms (100Hz 20C), 163 mOhms (10kHz 20C)
Ripple Current	2.78 Amps (100Hz 105C), 6.81 Amps (10kHz 105C)
Leakage Current	672 uA (5min 20°C)