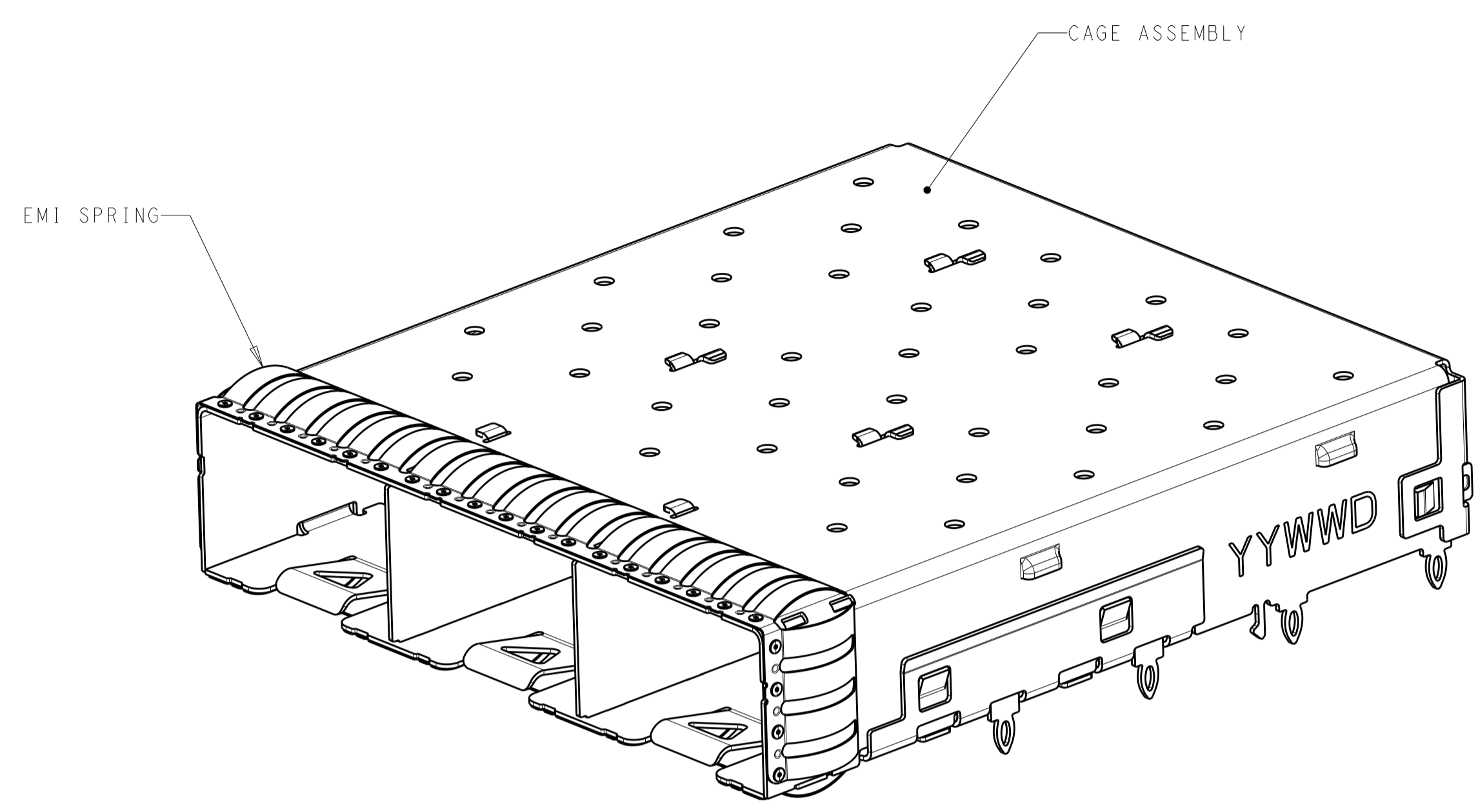
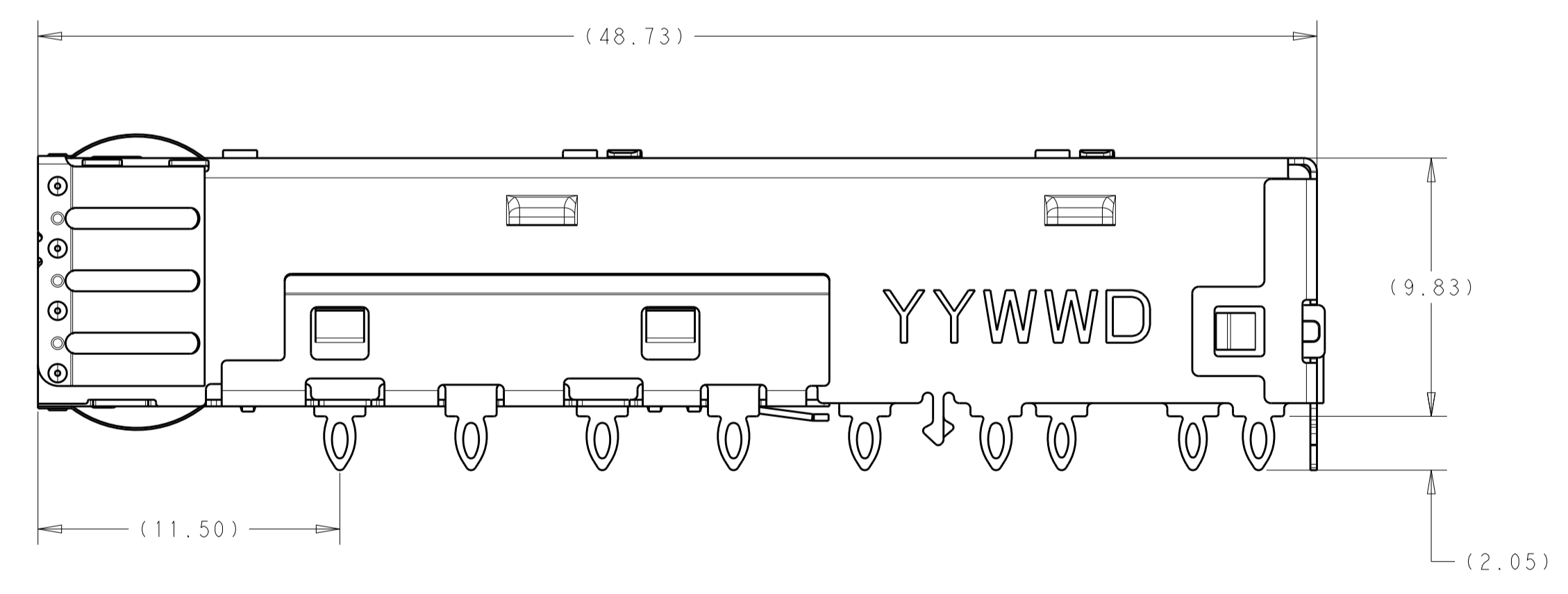
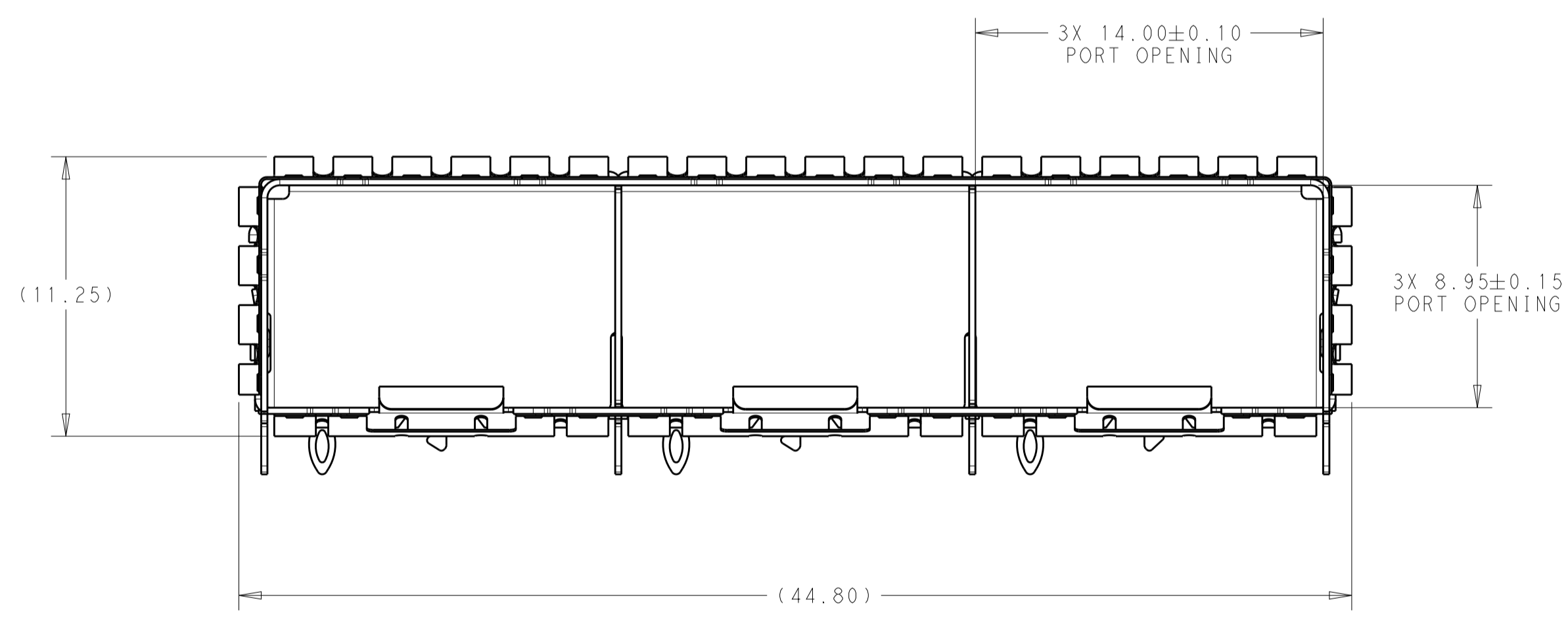


REVISIONS					
P.	LTN	DESCRIPTION	DATE	DMN	APVD
1		PRELIMINARY	24JAN2019	IT	SH



2350202-1 AS SHOWN

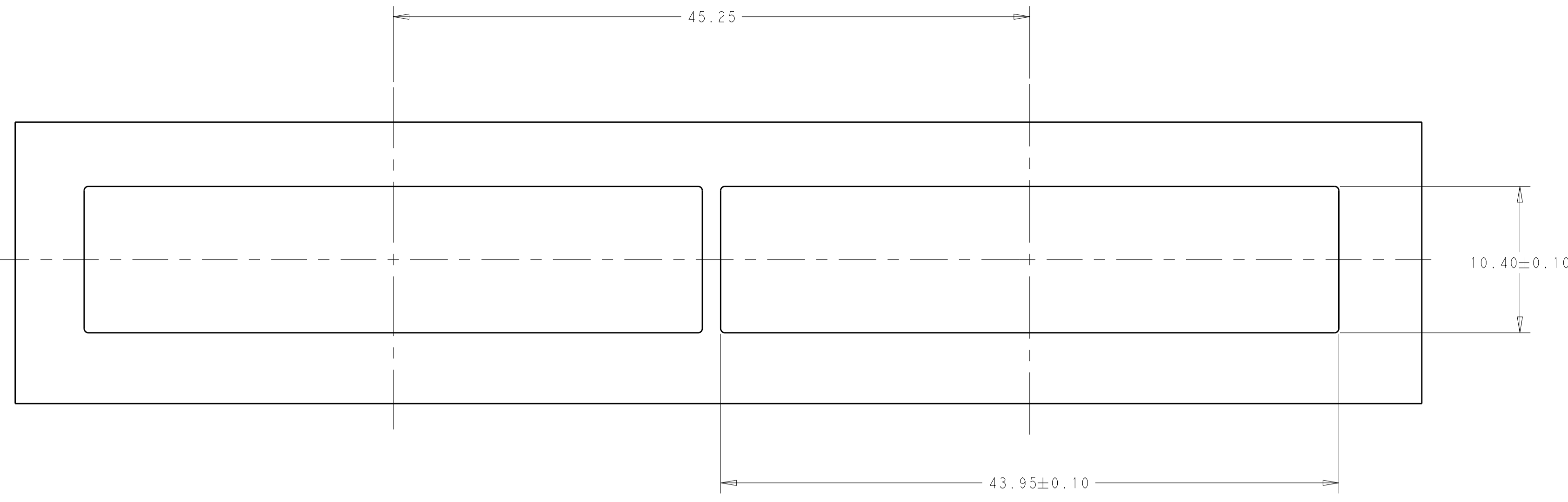
- 1 MATERIAL:  
CAGE ASSEMBLY: STAINLESS STEEL, 0.25MM THICK  
EMI SPRINGS: PHOSPHOR BRONZE, NICKEL PLATED
- 2 MINMUM PC BOARD THICKNESS:  
SINGLE SIDED: 1.45MM  
BELLY TO BELLY: 2.25MM
- 3 PADS AND VIAS CHASSIS GROUND
- 4 DATUM AND BASIC DIMENSION ESTABLISHED BY CUSTOMER
- 5. MATES WITH SFP MSA COMPLIANT TRANSCEIVERS
- 6. INTERPRETATION OF DATUM REFERENCE FRAME IN ACCORDANCE WITH SECT 4.4.1.1 OF ASME Y14.5M-1994
- 7 REFERENCE APPLICATION SPEC. 114-13120, HOLE A, FOR RECOMMENDED DRILL HOLE DIAMETER AND PLATING THICKNESS
- 8 REFERENCE APPLICATION SPEC. 114-13120, HOLE B, FOR RECOMMENDED DRILL HOLE DIAMETER AND PLATING THICKNESS
- 9 HOLE PATTERN REPEATS FOR EACH PORT, SPACING BETWEEN PORTS IS 14.25mm
- 10. PRODUCT COMPLIES WITH SPECIFICATION SFF-8433, IMPROVED PLUGGABLE FORMFACTOR FOR SFP+ GANGED CAGES



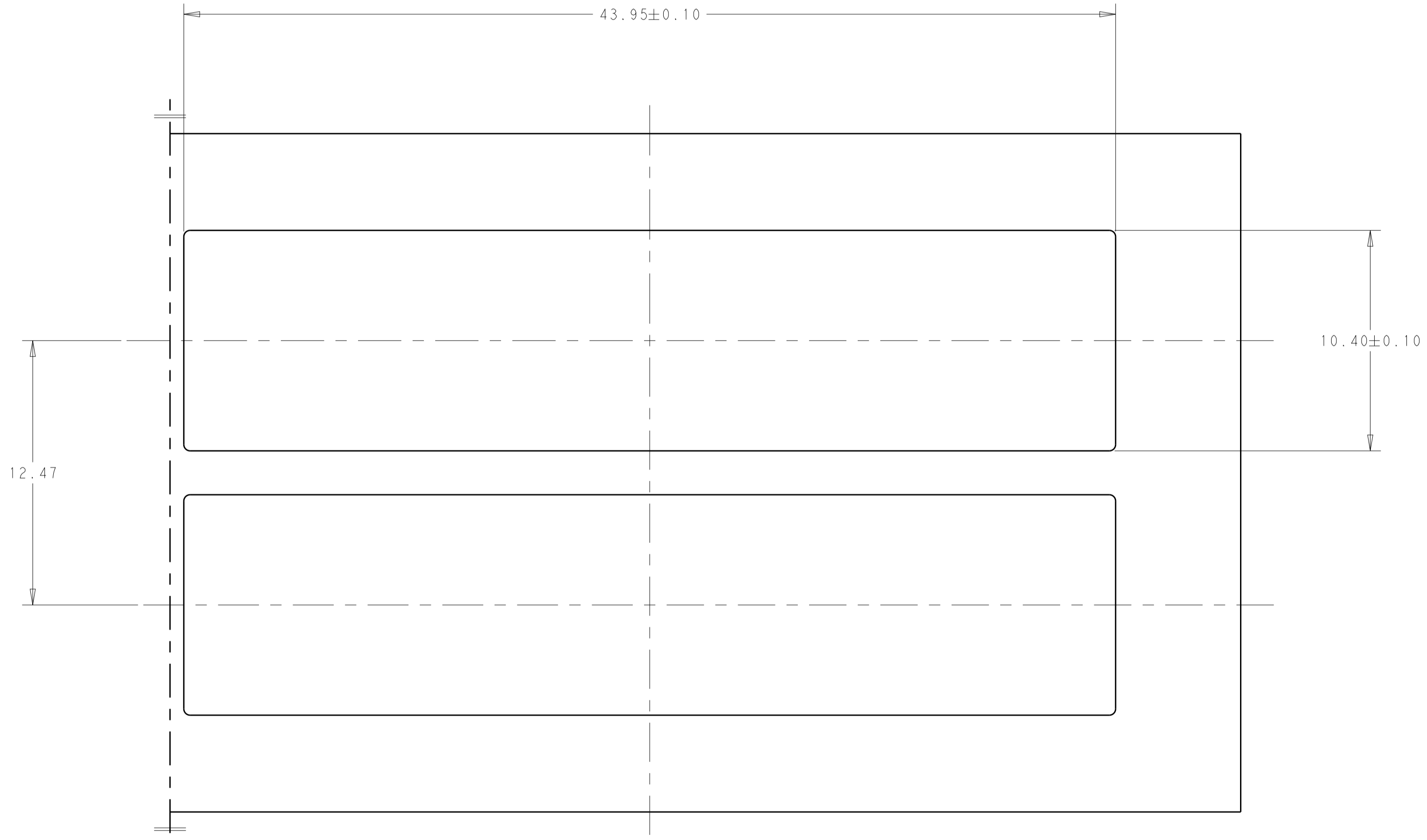
1	2350202-1
MATERIAL	PART NUMBER

THIS DRAWING IS A CONTROLLED DOCUMENT.		DMN	IYAN TIAN	14JAN2019
DIMENSIONS:		CHK	SEAN HAN	14JAN2019
mm	TOLERANCES UNLESS OTHERWISE SPECIFIED:	APVD	SEAN HAN	14JAN2019
0 PLC	±	NAME	1X3 ZSFP+ CAGE ASSEMBLY	
1 PLC	±0.25	PRODUCT SPEC	PRESS-FIT	
2 PLC	±0.15	APPLICATION SPEC	WITH EXTERNAL EMI SPRING	
3 PLC	±	SIZE	CAGE CODE	DRAWING NO
4 PLC	±	RESTRICTED TO	A1	07799
ANGLES	±	WEIGHT	C=2350202	
FINISH	±1*	CUSTOMER DRAWING	SCALE	2:1
MATERIAL		SHEET		1 OF 4
		REV		1

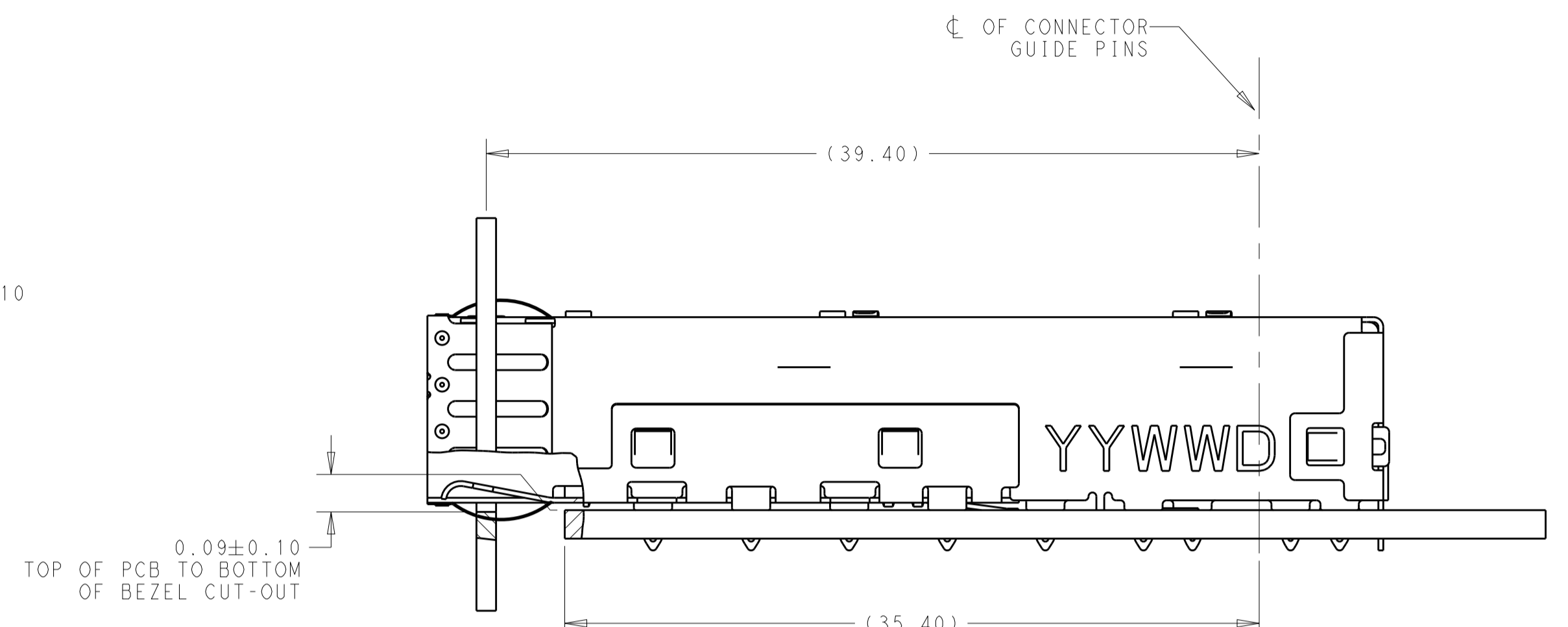
REVISIONS				
P.	LTN.	DESCRIPTION	DATE	APVD.
-		SEE SHEET 1	-	-



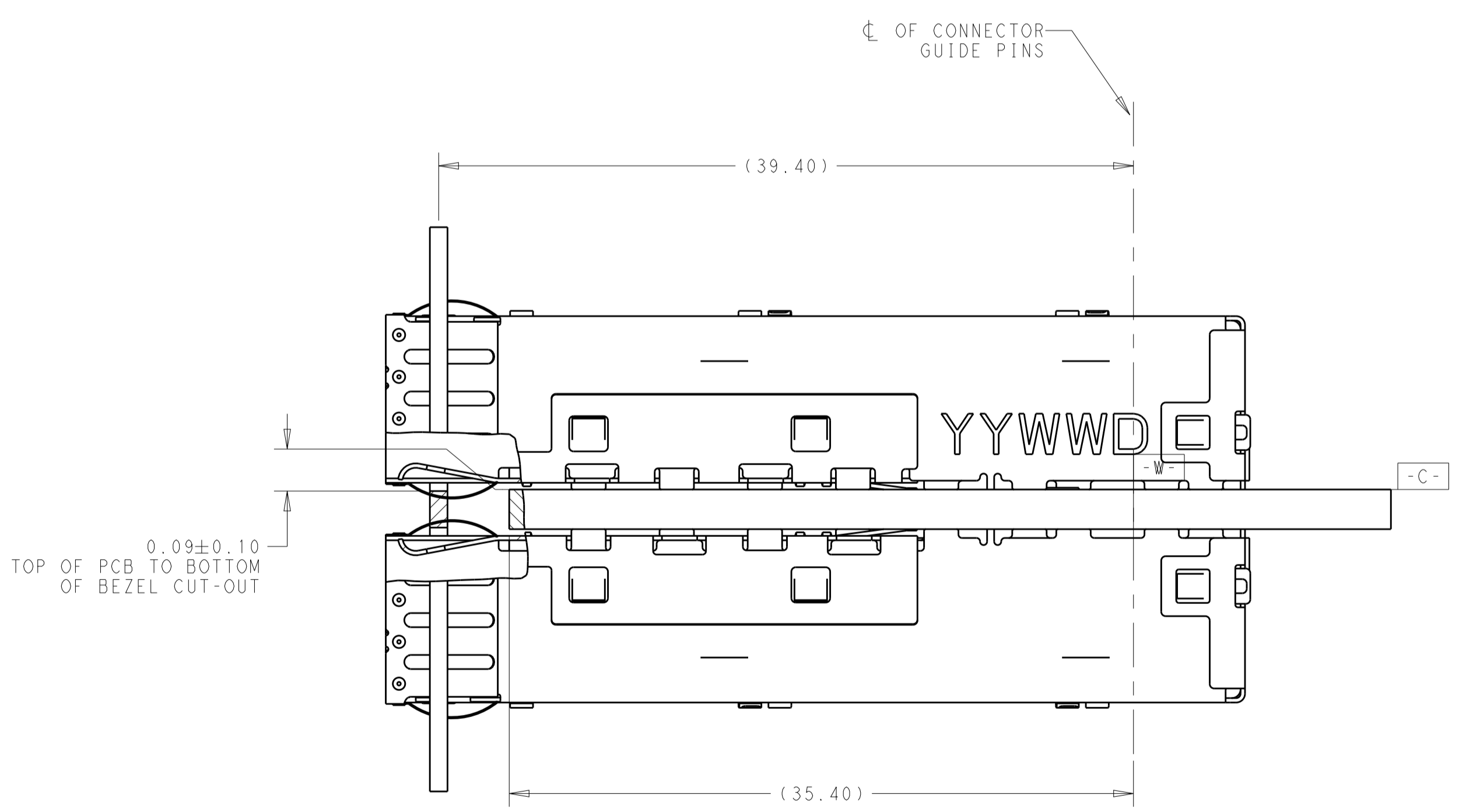
RECOMMENDED BEZEL CUT-OUT  
 SINGLE SIDED APPLICATION  
 SCALE 4:1



RECOMMENDED BEZEL CUT-OUT  
 BELLY TO BELLY APPLICATION  
 SCALE 6:1



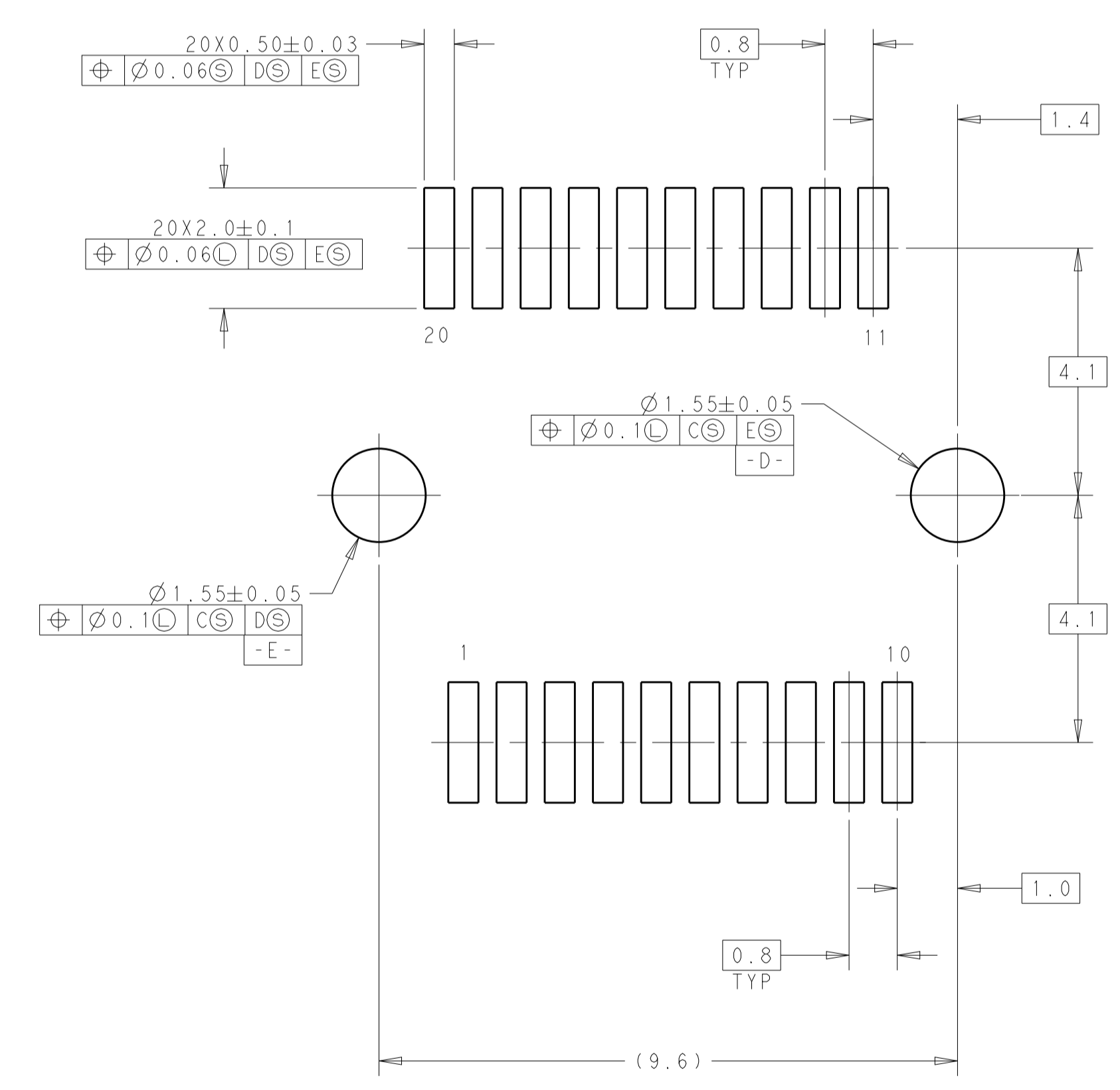
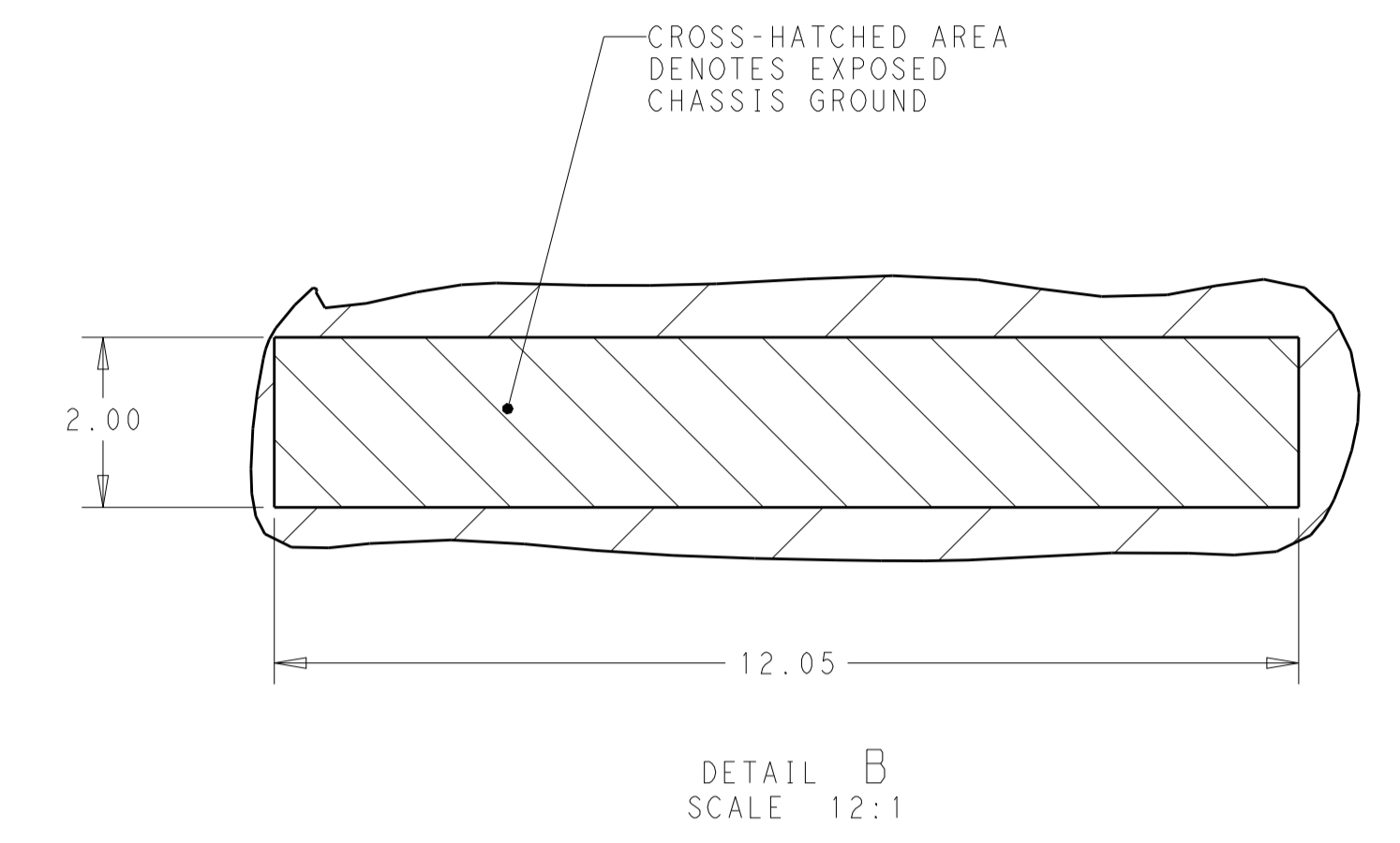
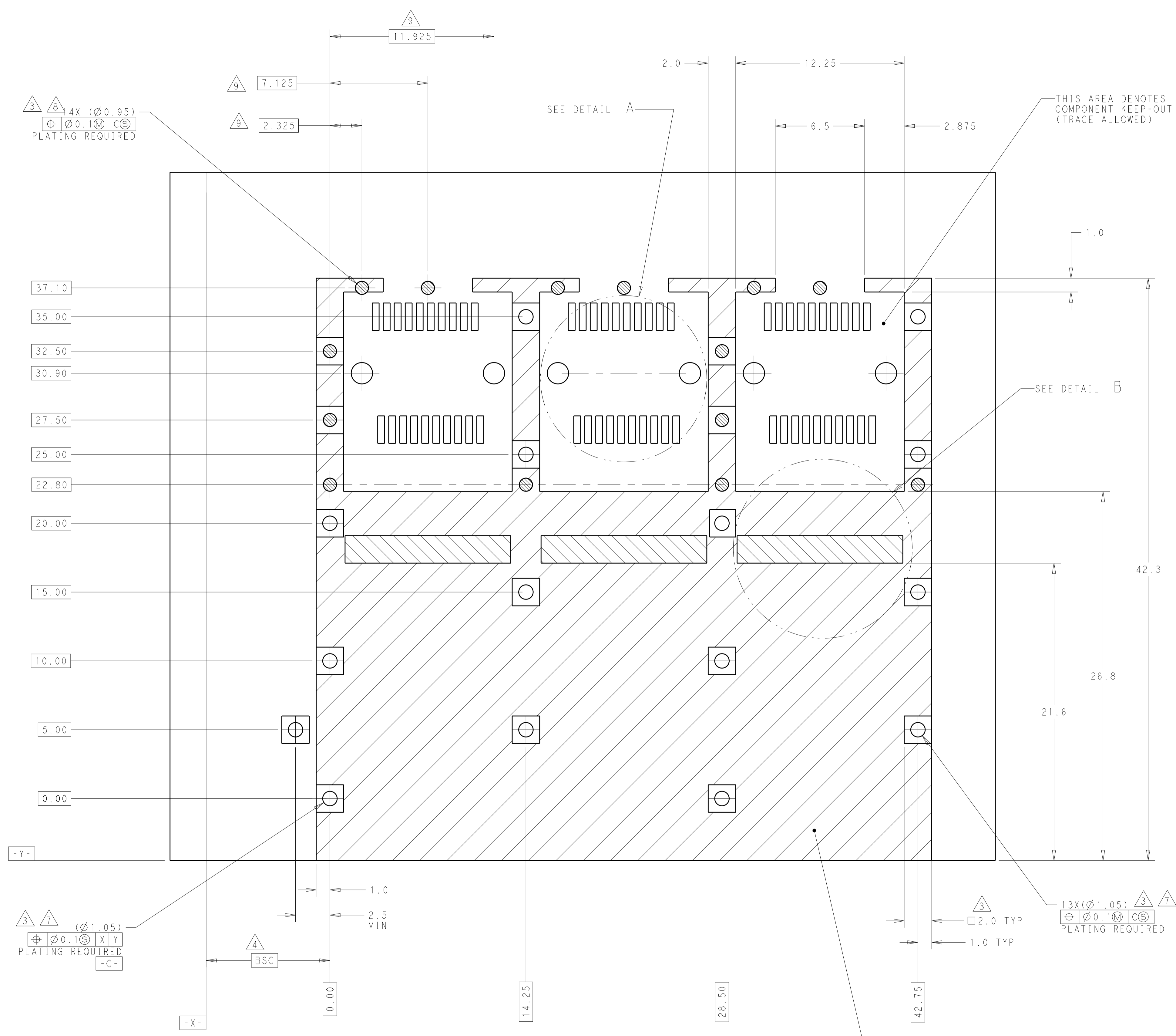
MOUNTED ON PC BOARD  
 SHOWN THRU RECOMMENDED BEZEL  
 SCALE 4:1



MOUNTED ON BELLY TO BELLY PC BOARD  
 SHOWN THRU RECOMMENDED BEZEL  
 SCALE 4:1

THIS DRAWING IS A CONTROLLED DOCUMENT.		OWN: IVAN TIAN 14JAN2019	TE Connectivity
DIMENSIONS: mm		CHK: SEAN HAN 14JAN2019	
TOLERANCES UNLESS OTHERWISE SPECIFIED:		APVD: SEAN HAN 14JAN2019	NAME: 1X3 ZSFP+ CAGE ASSEMBLY
0 PLC	±	PRODUCT SPEC	PRESS-FIT
1 PLC	±0.25	APPLICATION SPEC	WITH EXTERNAL EMI SPRING
2 PLC	±0.15	SIZE: CAGE CODE DRAWING NO	RESTRICTED TO
3 PLC	±	114-13120	A107799C=2350202
4 PLC	±	WEIGHT	-
ANGLES	±	CUSTOMER DRAWING	SCALE 2:1 SHEET 2 OF 4 REV 1
MATERIAL	FINISH		

REVISIONS				
P.	LTN.	DESCRIPTION	DATE	APP'D.
-	-	SEE SHEET 1	-	-

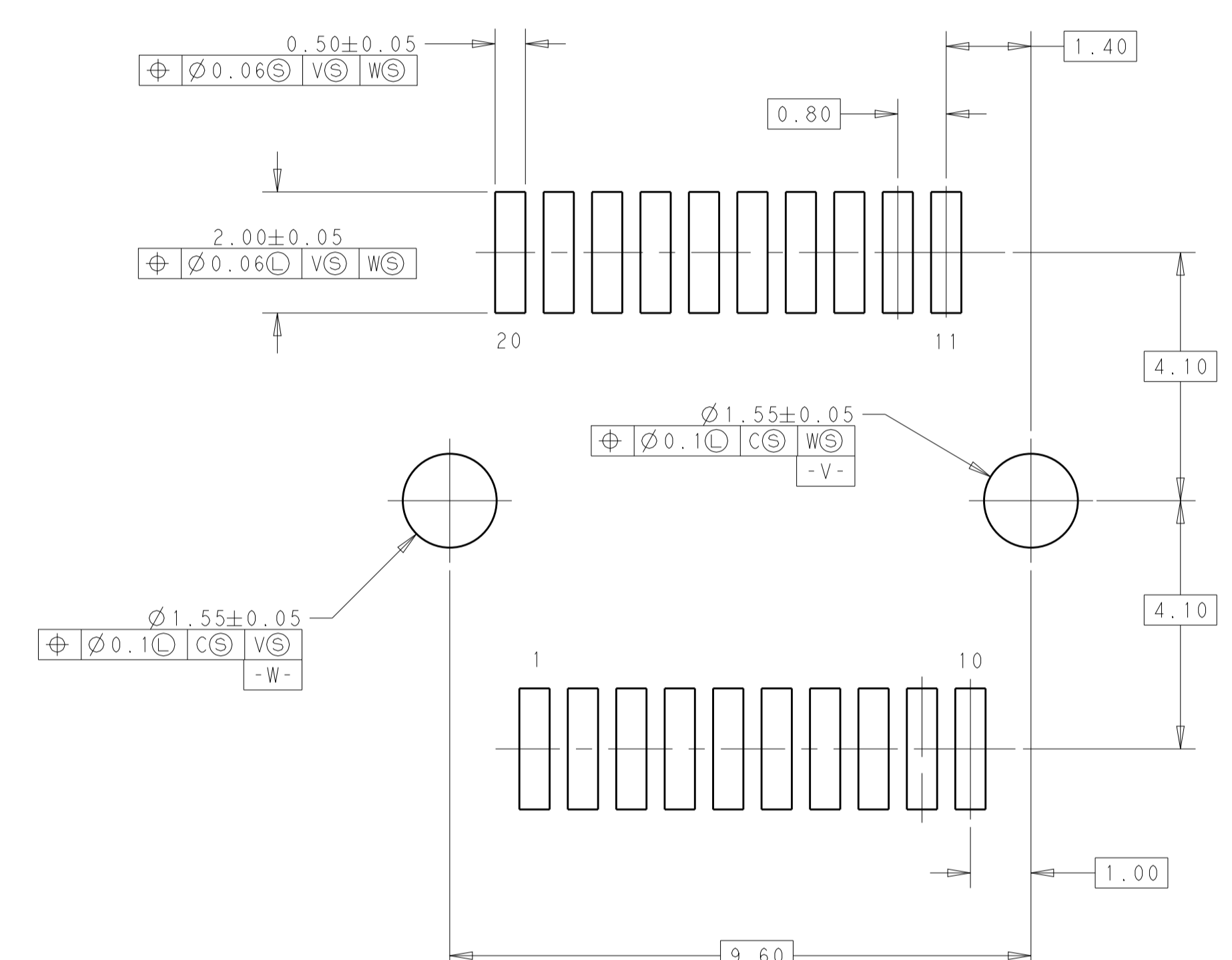
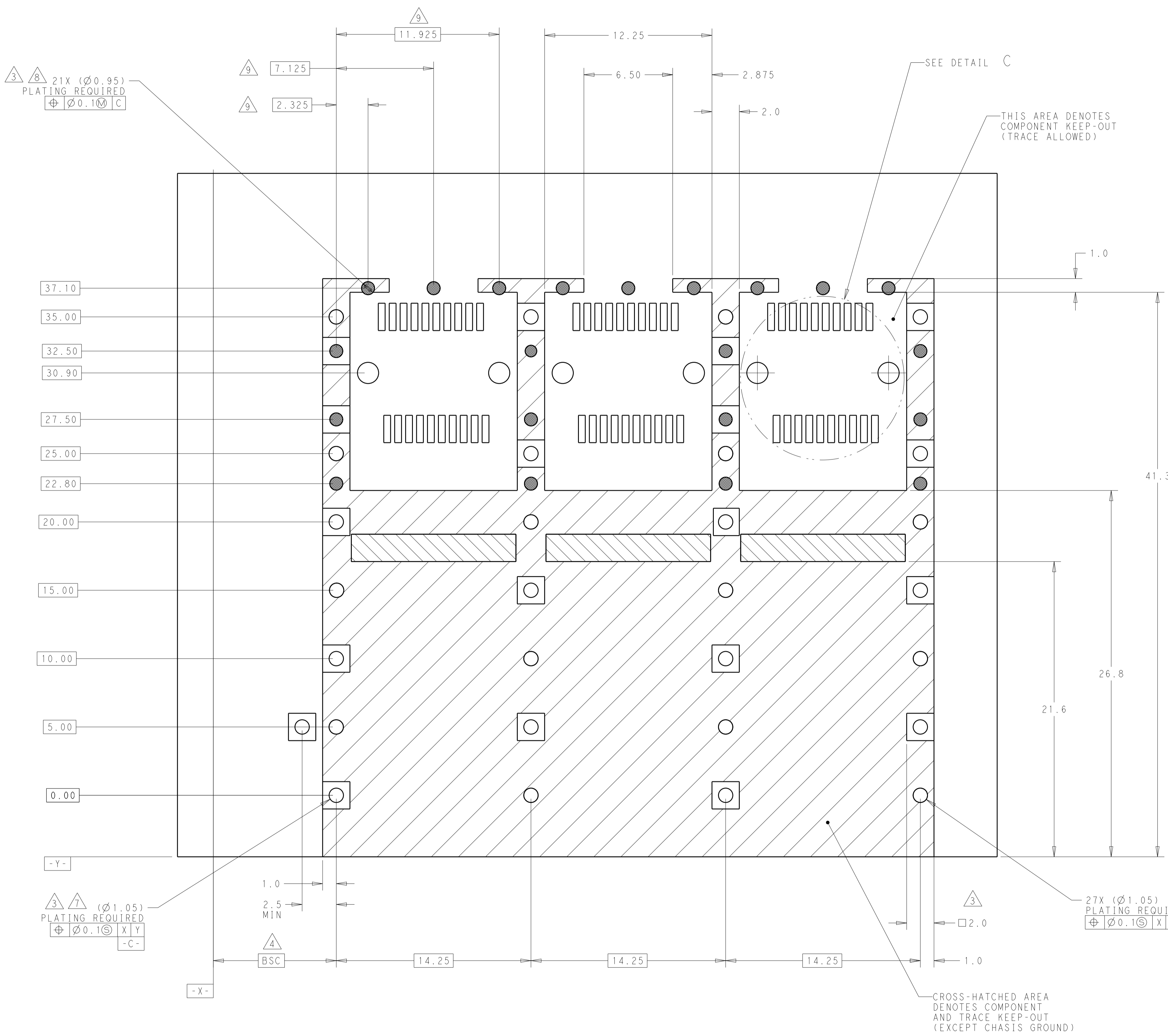


RECOMMENDED PCB CONFIGURATION WITH KEEP-OUT AREAS  
 SINGLE SIDED APPLICATION  
 SCALE 4:1

CROSS-HATCHED AREA DENOTES COMPONENT AND TRACE KEEP-OUT (EXCEPT CHASSIS GROUND)

THIS DRAWING IS A CONTROLLED DOCUMENT.		DWN: IVAN TIAN 14JAN2019		TE Connectivity
DIMENSIONS: mm		CHK: SEAN HAN 14JAN2019		
	TOLERANCES UNLESS OTHERWISE SPECIFIED:	APP'D: SEAN HAN 14JAN2019	NAME: 1X3 ZSFP+ CAGE ASSEMBLY PRESS-FIT WITH EXTERNAL EMI SPRING	
	0 PLC ±0.25	PRODUCT SPEC: 108-2364	RESTRICTED TO	
MATERIAL: FINISH		APPLICATION SPEC: 114-13120	SIZE: CAGE CODE DRAWING NO: A107799	SCALE: 2:1
WEIGHT:		CUSTOMER DRAWING	REV: 3	REV: 1

REVISIONS				
P.	LTN	DESCRIPTION	DATE	APVD
-	-	SEE SHEET 1	-	-



DETAIL C  
 SCALE 12:1

RECOMMENDED PCB CONFIGURATION  
 WITH KEEP-OUT AREAS  
 BELLY TO BELLY APPLICATION  
 SCALE 4:1

THIS DRAWING IS A CONTROLLED DOCUMENT.		OWN: IVAN TIAN 14JAN2019	TE Connectivity
DIMENSIONS: mm		CHK: SEAN HAN 14JAN2019	
TOLERANCES UNLESS OTHERWISE SPECIFIED:		APVD: SEAN HAN 14JAN2019	NAME: 1X3 ZSFP+ CAGE ASSEMBLY
0 PLC ±0.25	1 PLC ±0.15	PRODUCT SPEC: 108-2364	PRESS-FIT
2 PLC ±0.15	3 PLC ±0.15	APPLICATION SPEC: 114-13120	WITH EXTERNAL EMI SPRING
4 PLC ±0.15	ANGLES ±1°	SIZE: 114-13120	RESTRICTED TO: A107799C=2350202
MATERIAL: -	FINISH: -	WEIGHT: -	CUSTOMER DRAWING
SCALE: 2:1			SHEET: 4 OF 4
REV: 1			