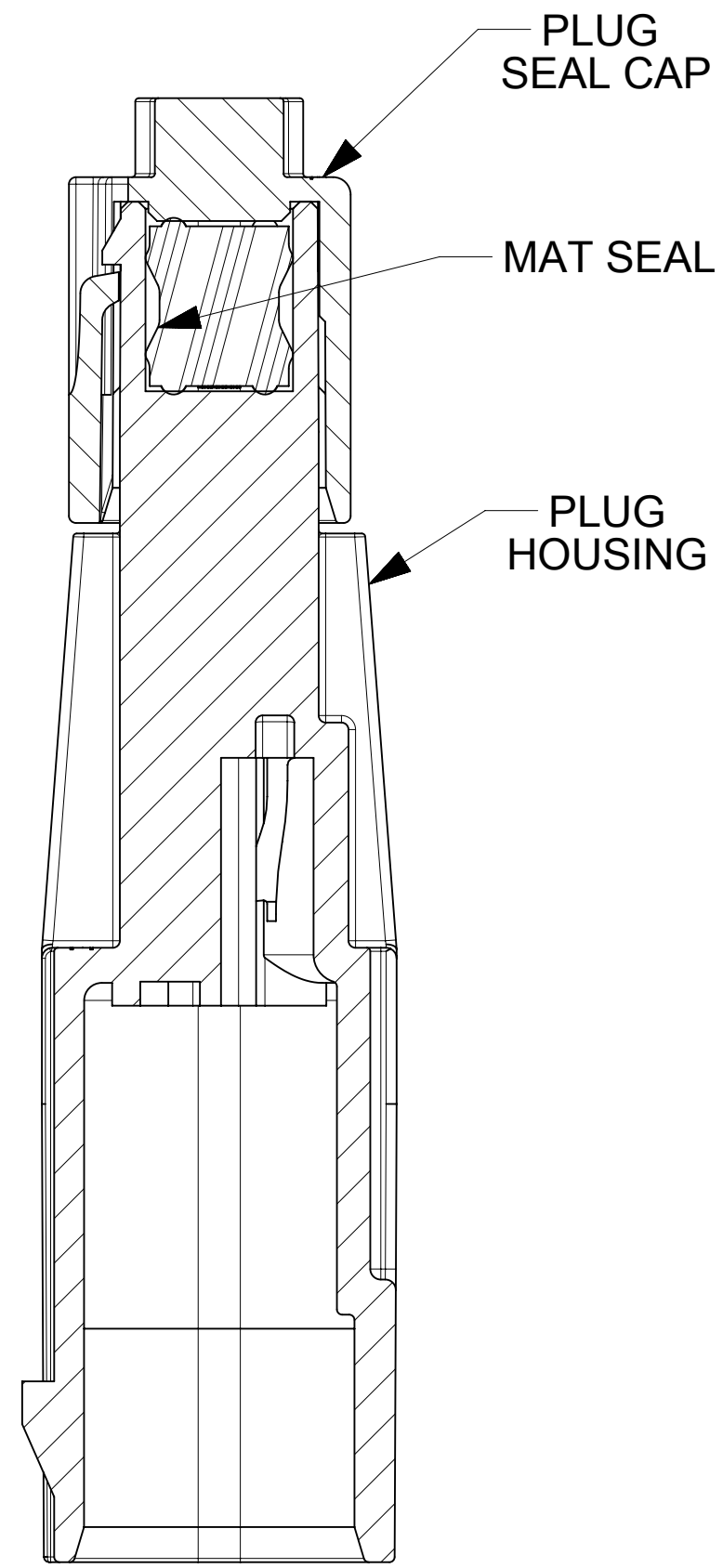
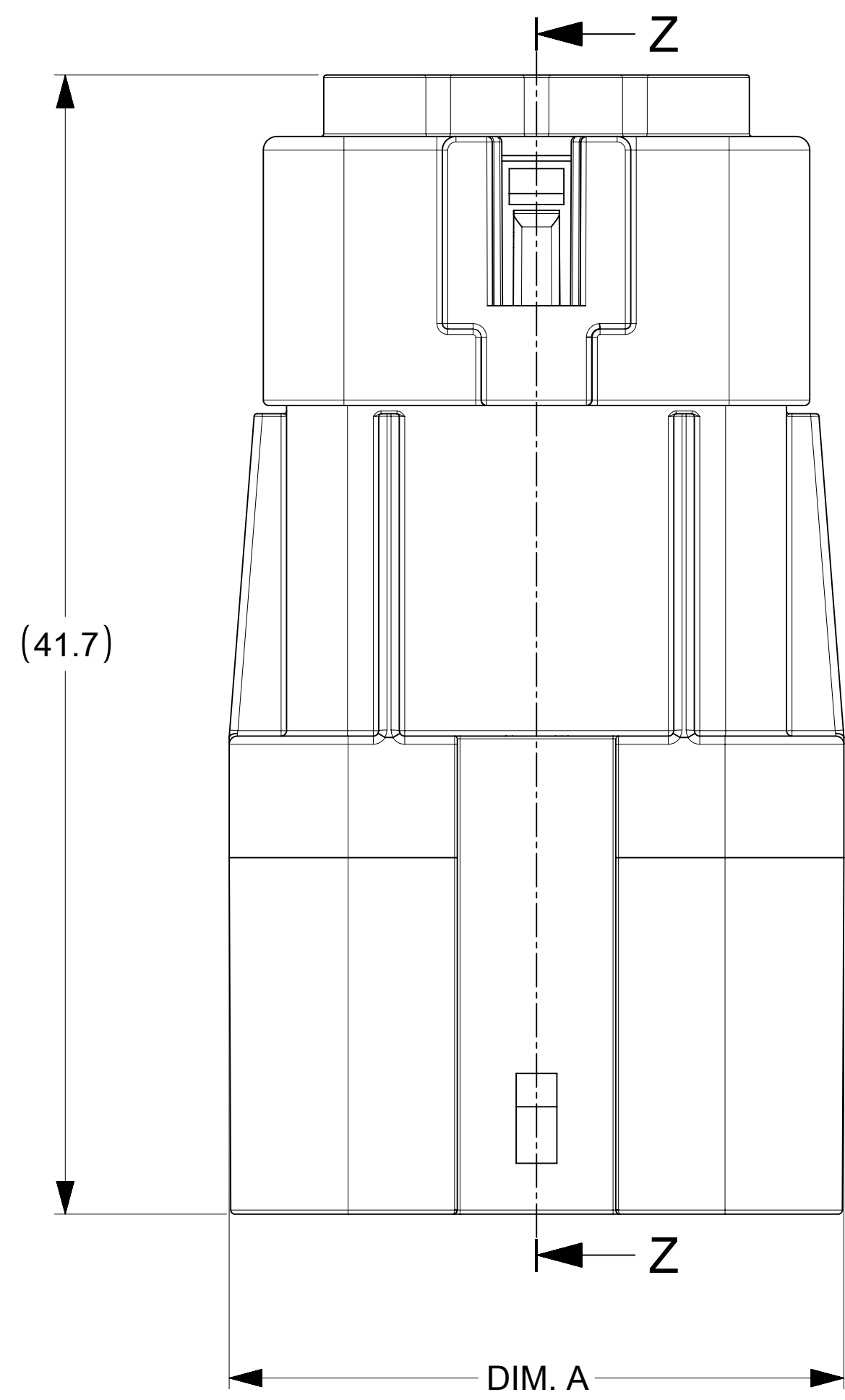
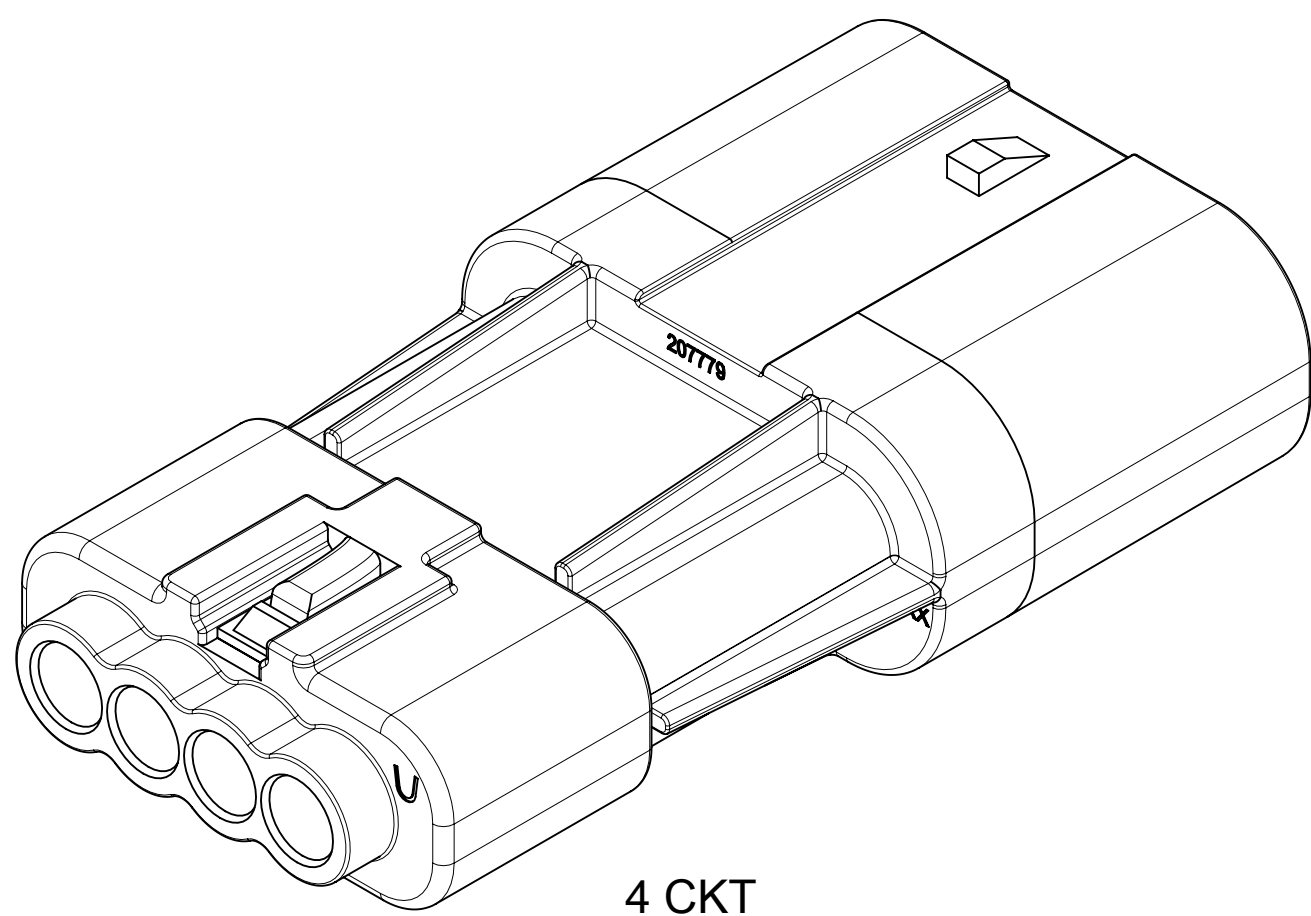
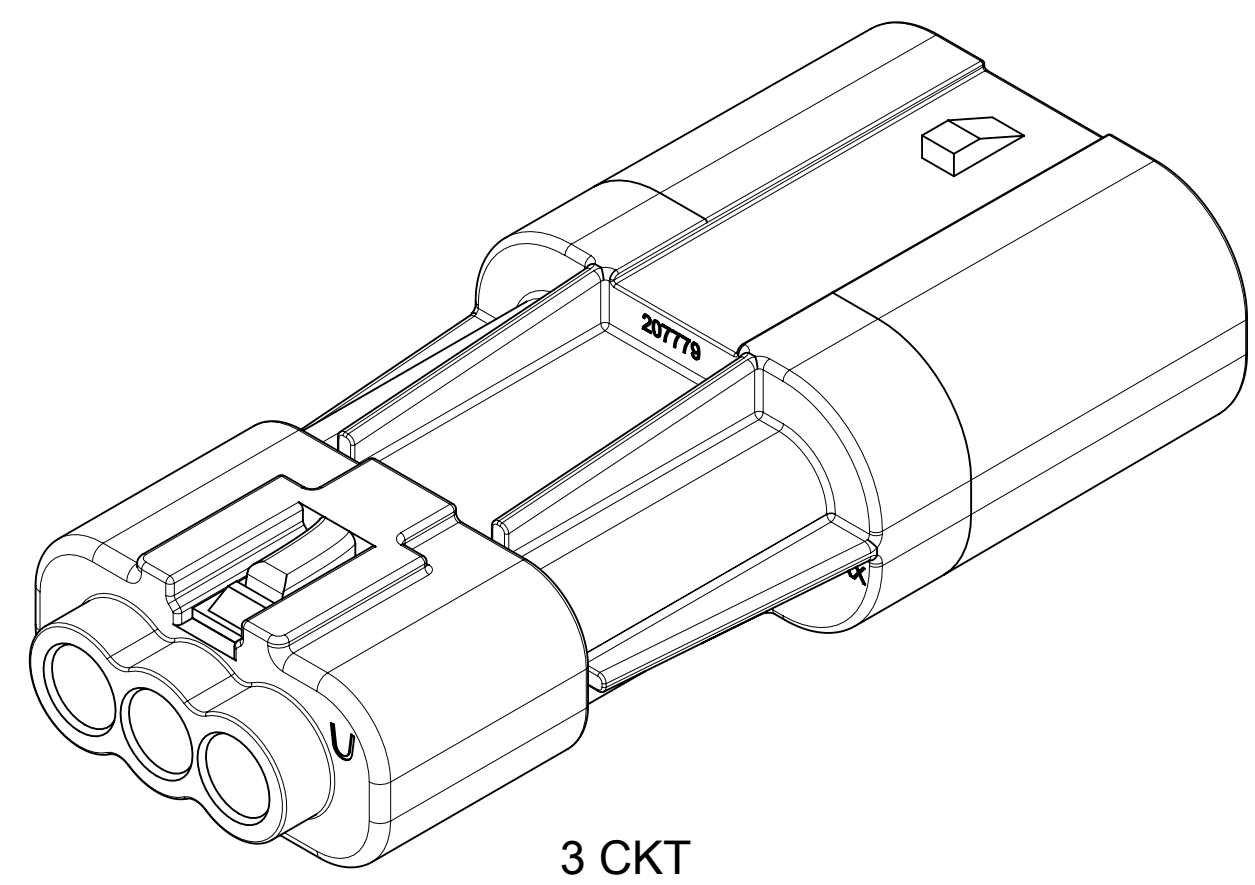
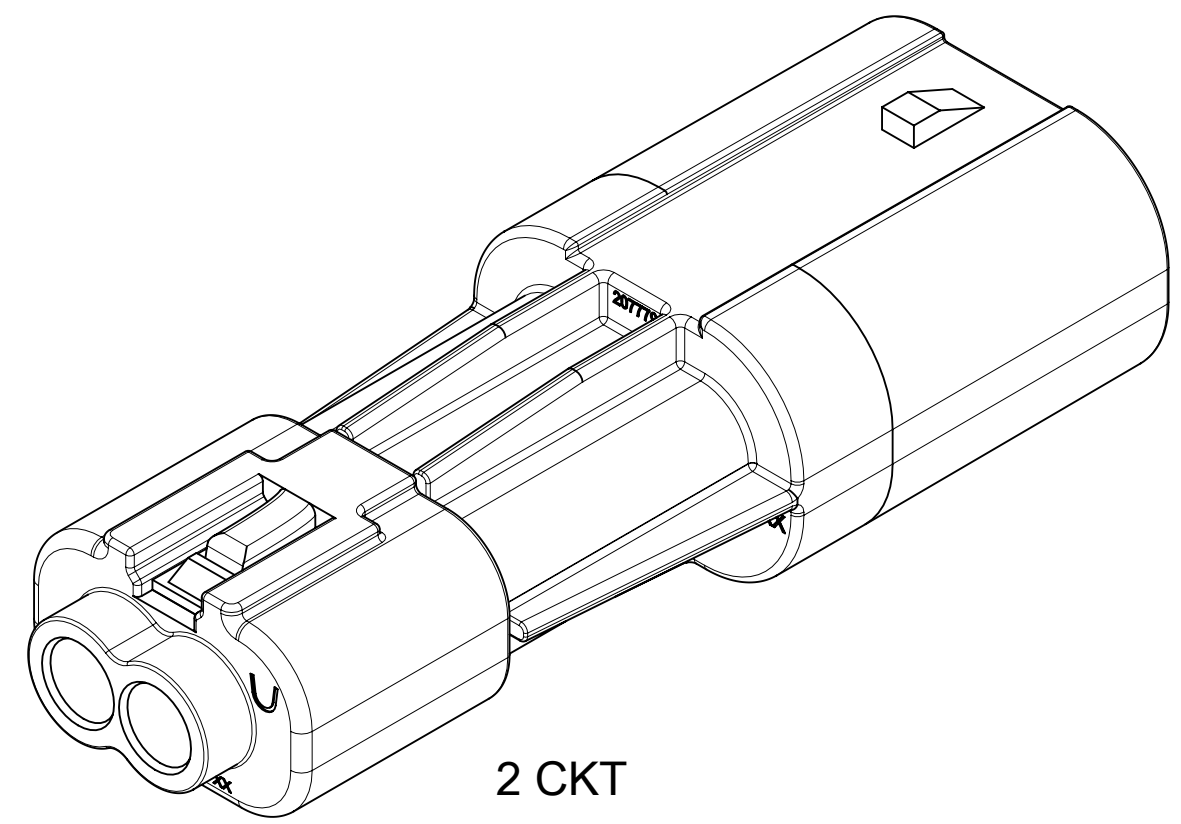
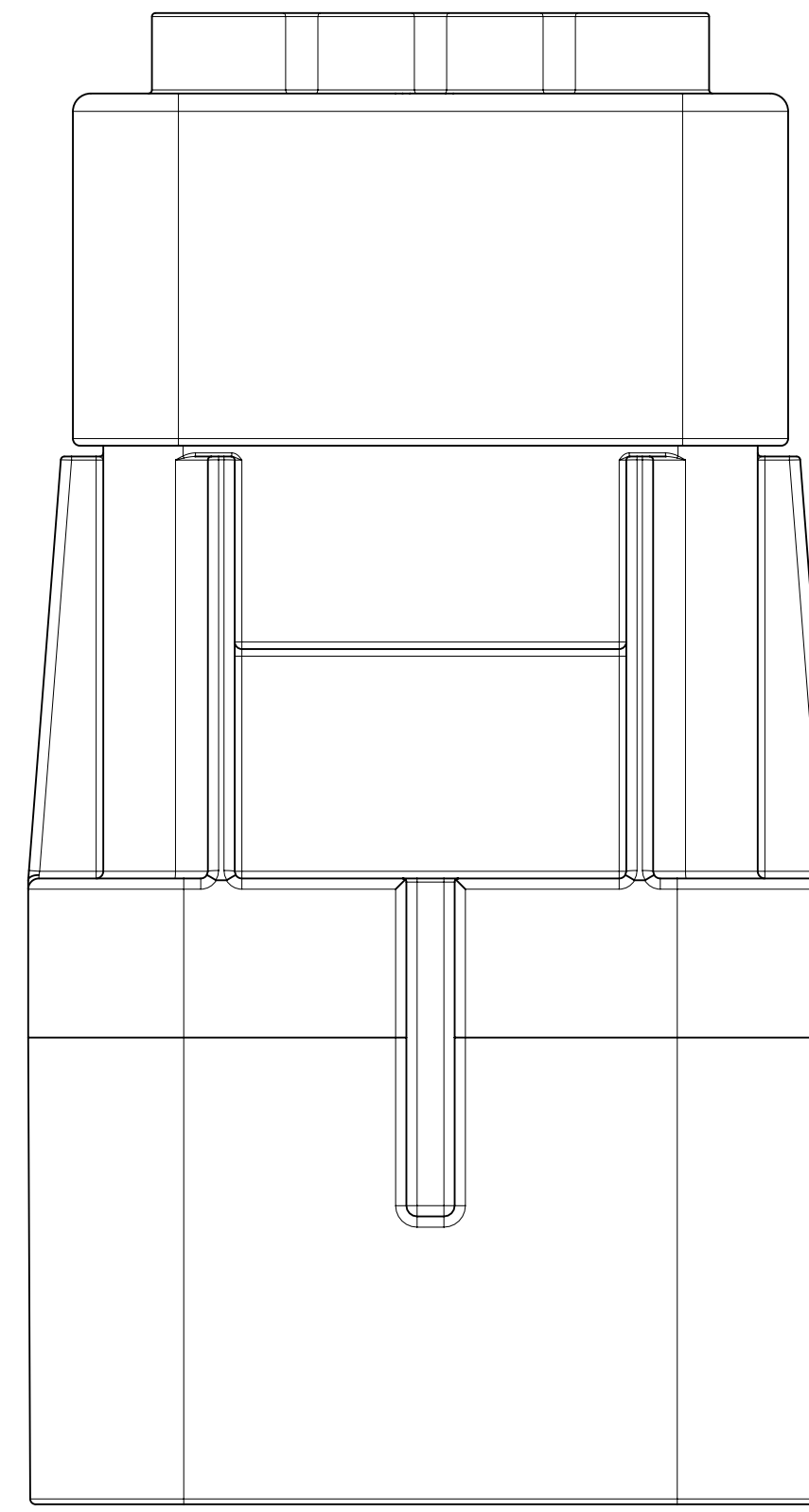


CIRCUIT SIZES
SCALE 4:1



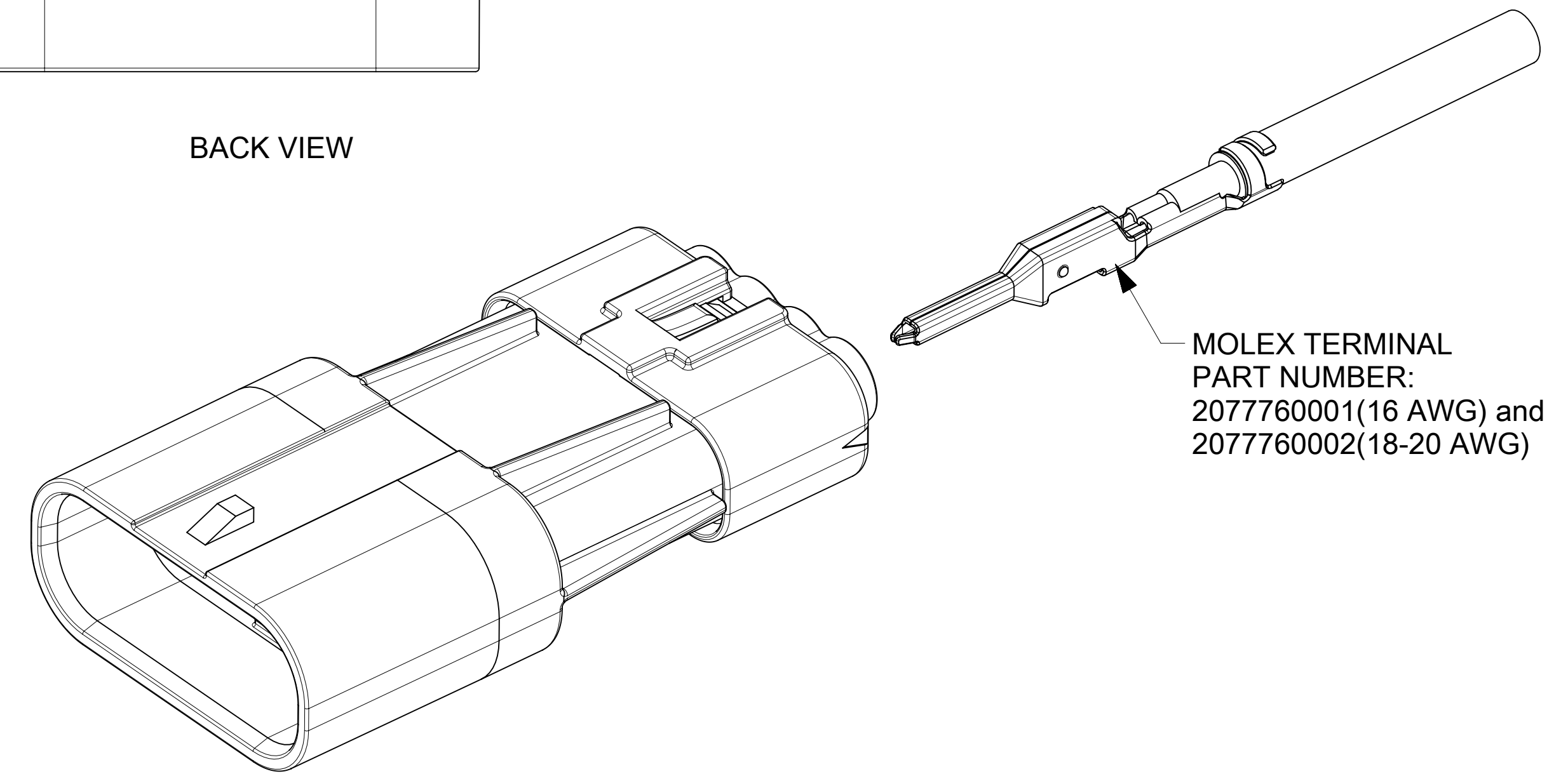
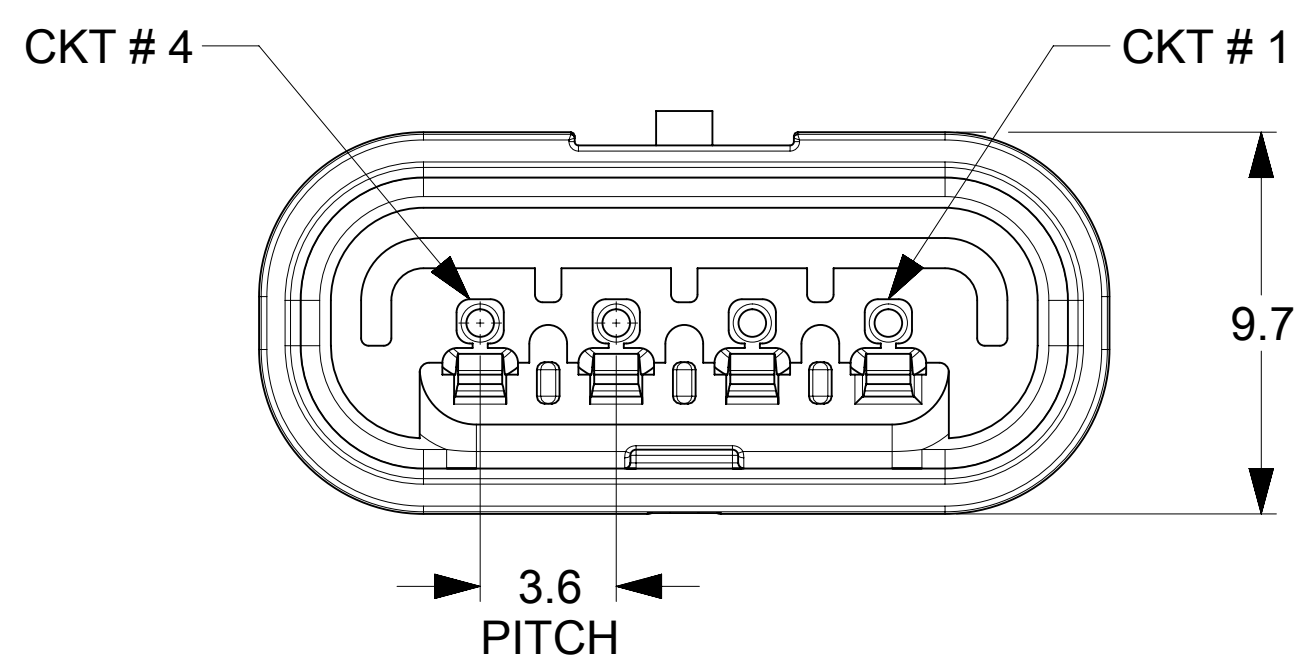
SECTION Z-Z



BACK VIEW

NOTES:

1. MATERIAL:
HOUSING & PLUG SEAL CAP: NYLON, COLOR: BLACK
SEALS: INHERENTLY LUBRICATED SILICON
2. PRODUCT SPECIFICATION: 2077760000-PS
3. APPLICATION SPECIFICATION: 2077760000-AS
4. PACKAGING SPECIFICATION: 2077780000-PK
5. THIS PART MATES WITH RECEPTACLE SERIES 207782
6. THIS PART USES TERMINAL SERIES 2077760001 AND 2077760002
7. THIS PART CONFORMS TO CLASS 'B' REQUIREMENTS OF COSMETIC SPECIFICATION PS-45499-002.



CKT SIZE	PART NUMBER	DIM. A
2	2077780002	15.3
3	2077780003	18.9
4	2077780004	22.5

THIS DRAWING CONTAINS INFORMATION THAT IS PROPRIETARY TO MOLEX ELECTRONIC TECHNOLOGIES, LLC AND SHOULD NOT BE USED WITHOUT WRITTEN PERMISSION

DIMENSION UNITS	SCALE	CURRENT REV DESC: HSG LATCH IMPROVEMENT		molex			
mm	5:1			PLUG ASSEMBLY SQUBA 3.6			
GENERAL TOLERANCES (UNLESS SPECIFIED)		EC NO: 652852		PRODUCT CUSTOMER DRAWING			
ANGULAR TOL	± °	DRWN: SMAHAJANSHET	2021/01/11	DOCUMENT NUMBER	DOC TYPE	DOC PART	REVISION
4 PLACES	±	CHK'D: NCSR	2021/01/12	2077780000-SD	PSD	000	B
3 PLACES	±	APPR: NCSR	2021/01/12				
2 PLACES	±	INITIAL REVISION:					
1 PLACE	± 0.3	DRWN: MUM	2019/01/30				
0 PLACES	±	APPR: NCSR	2019/07/03				
DRAFT WHERE APPLICABLE MUST REMAIN WITHIN DIMENSIONS		THIRD ANGLE PROJECTION	DRAWING	SERIES	MATERIAL NUMBER	CUSTOMER	SHEET NUMBER
			D-SIZE	207778	SEE TABLE	GENERAL MARKET	1 OF 1