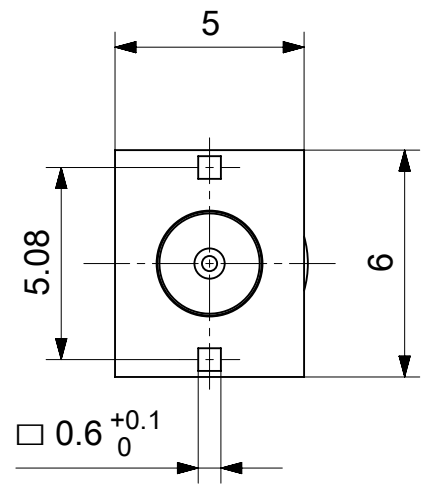
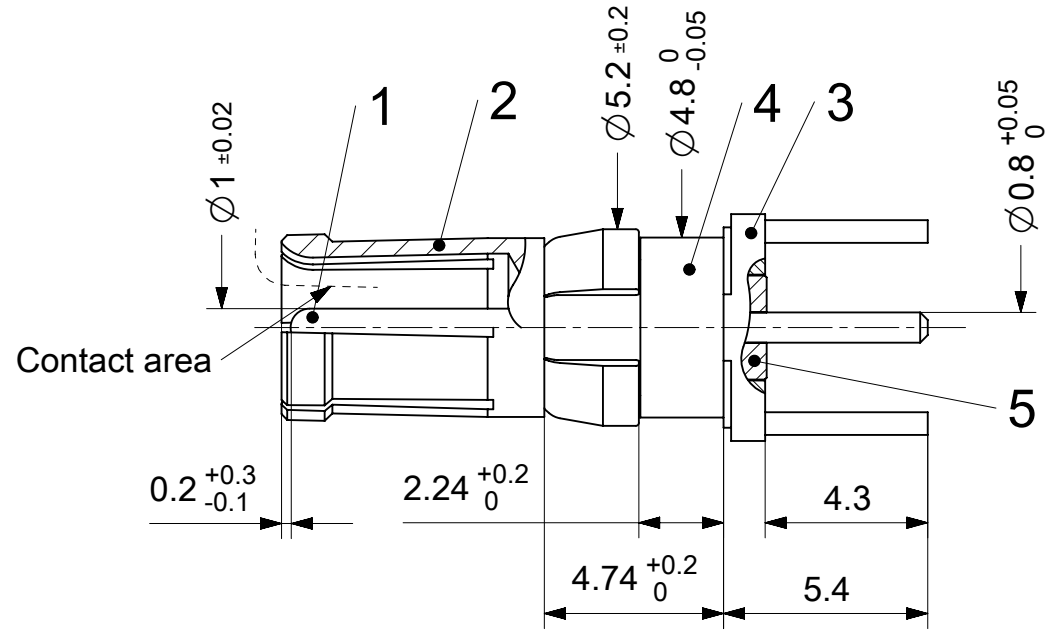
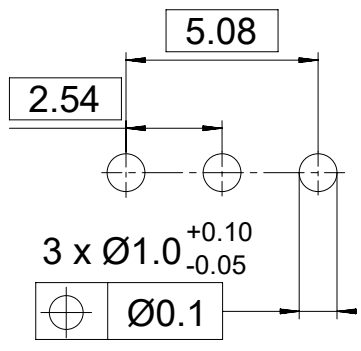


2:1

RoHS compliant
by exemption



PCB-Layout



1731120829	FME010S101	101
1731120049	FME010S102	102
1731121069	FME010S202	202
Material Number	FCT Part Number	Material + Finish See extra sheet

UNLESS OTHERWISE SPECIFIED DIMENSIONS FOR REFERENCE ONLY				REPLACEMENT FOR DOCUMENT NUMBER: FME010S			
THIS DRAWING CONTAINS INFORMATION THAT IS PROPRIETARY TO MOLEX ELECTRONIC TECHNOLOGIES, LLC AND SHOULD NOT BE USED WITHOUT WRITTEN PERMISSION							
FUNCTIONAL SYMBOLS	DIMENSION UNITS	SCALE	CURRENT REV DESC:				
FA = 0	mm	5:1	EC NO: 710158				
FE = 0	GENERAL TOLERANCES (UNLESS SPECIFIED)		DRWN: VLOKESHA 2021/04/16				
FP = 0	ANGULAR TOL ± °		CHK'D: FVETTER 2022/06/13				
DIVISIONAL SYMBOLS	4 PLACES ±	APPR: FVETTER 2022/06/13			INITIAL REVISION:		
	3 PLACES ±	DRWN: VLOKESHA 2021/04/16			DOCUMENT NUMBER	DOC TYPE	DOC PART
	2 PLACES ±	APPR: FVETTER 2022/06/13			1731120829	PSD	000
	1 PLACE ±	DRWN: VLOKESHA 2021/04/16			REVISION		
	0 PLACES ±	APPR: FVETTER 2022/06/13			A		
DRAFT WHERE APPLICABLE MUST REMAIN WITHIN DIMENSIONS		FIRST ANGLE PROJECTION	DRAWING	SERIES	MATERIAL NUMBER	CUSTOMER	SHEET NUMBER
			A4-SIZE	173112	SEE TABLE	GENERAL MARKET	1 OF 1

DOCUMENT STATUS	P1	RELEASE DATE	2022/06/13	13:27:16
-----------------	----	--------------	------------	----------