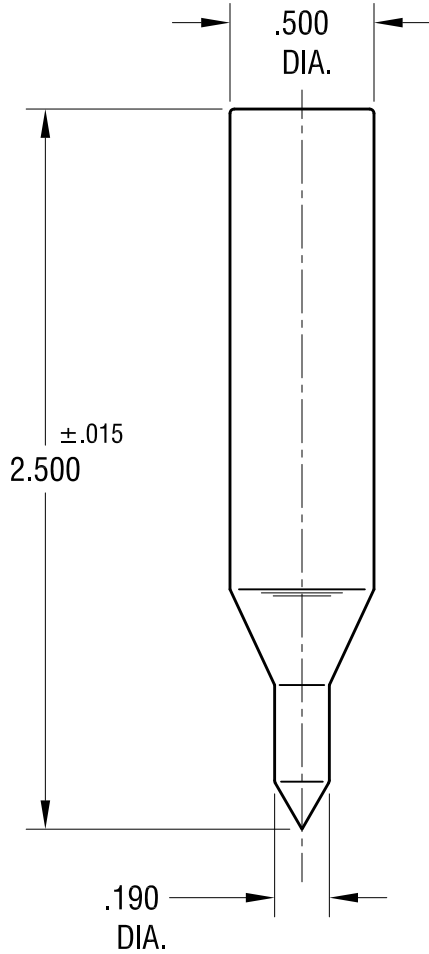
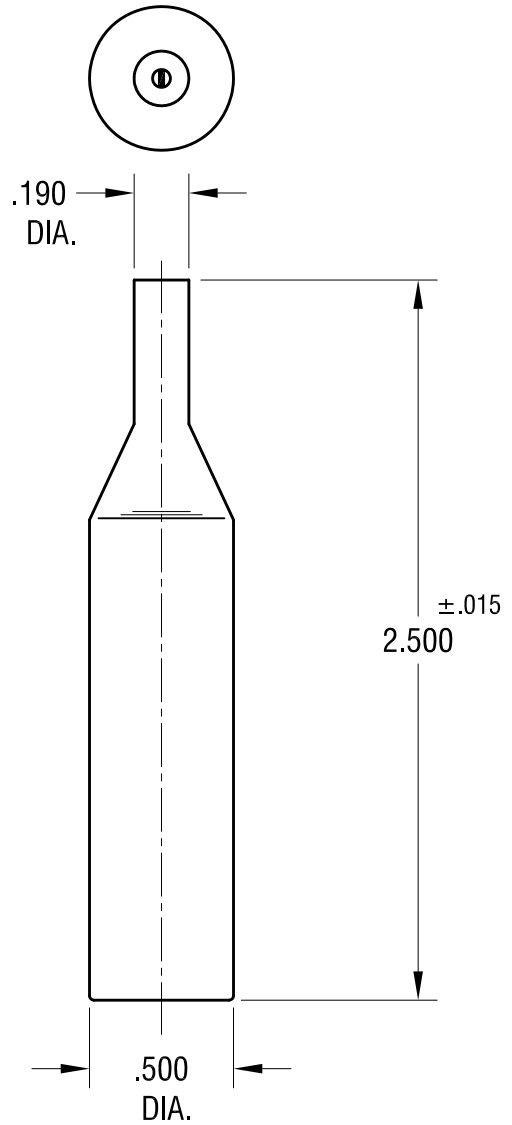


THIS DOCUMENT IS THE PROPERTY OF
KEYSTONE ELECTRONICS CORP. AND
SHALL NOT BE REPRODUCED, DISTRIBUTED
OR USED AS A BASIS FOR MANUFACTURE
WITHOUT PRIOR WRITTEN PERMISSION
FROM KEYSTONE ELECTRONICS CORP.

TOP TOOL



BOTTOM TOOL



KEYSTONE ELECTRONICS CORP.

www.keyelco.com • NEW HYDE PARK, NY 11040 • Tel (516) 328-7500

PART NAME

TOP & BOTTOM TOOL FOR P/N 1515

MATERIAL

DRILL ROD

FINISH

-

DRN BY

BOONE

DATE

9.14.95

APP'D

LN

SCALE

1.5X

TOLERANCES

INCH [MM]

CODE

DWG NO.

DECIMAL ±.010 [±]

C

ANGULAR ± 1°
UNLESS OTHERWISE SPECIFIED

1515-TL

DATE

DESCRIPTION

REV.