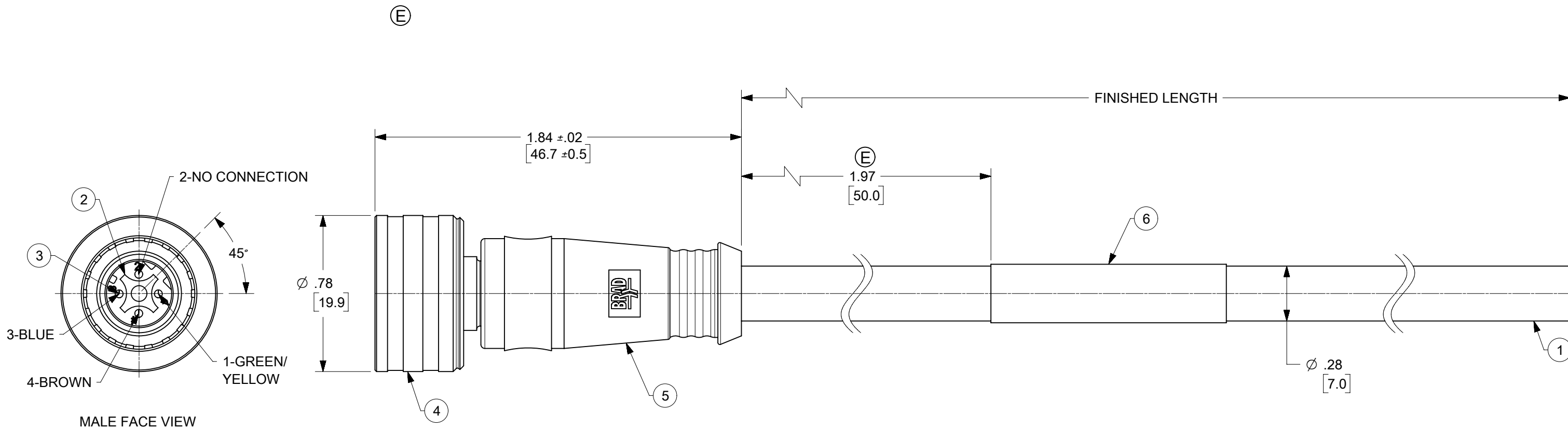
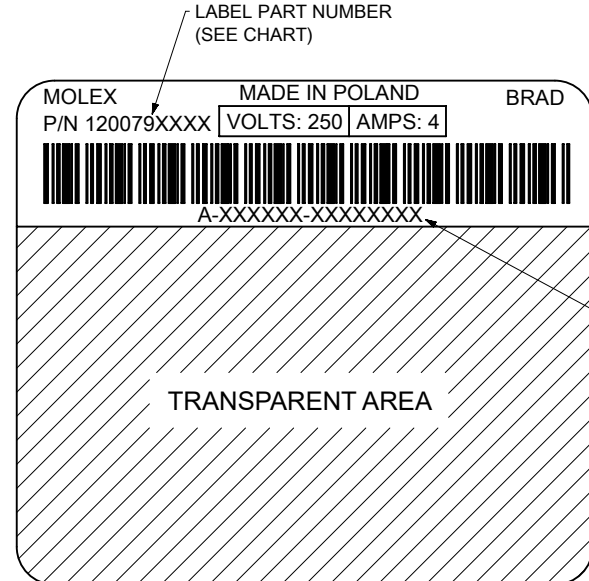


MATERIAL NO.	ENGINEERING NO.	FINISHED LENGTH
1200795132	1200795132	0.50 M (1.64 FT)



- NOTES:
- MATERIAL: SEE TABLE
  - FINISHES: SEE TABLE
  - ELECTRICAL SPECIFICATIONS  
VOLT AGE RATING: 250V AC/DC  
CURRENT RATING: 4 AMPS  
DIELECTRIC WITHSTAND TEST: LIVE POLES AND GROUND SHALL BE TESTED AT 1500V FOR 1 MINUTE RESULTING IN NO FAILURE OR BREAKDOWN.  
ELECTRICAL CONTINUITY: APPLIED BETWEEN EACH CONTACT AND THE RESPECTIVE CONDUCTOR END OF CABLE
  - PROTECTION: IP67 WHEN FULLY MATED
  - TEMPERATURE: -40°C TO +105°C
  - DIMENSIONS SHOWN ARE FOR REFERENCE ONLY UNLESS OTHERWISE SPECIFIED
  - CABLES ARE TO BE BULK PACKED WITH NO CABLE TIES



WRAP LABEL DETAIL

ITEM	DESCRIPTION	MATERIAL	FINISH
6	WRAP LABEL	VINYL	BLACK/YELLOW
5	OVERMOLD	PUR	BACK
4	ULTRA-LOCK COUPLING SLEEVE	BRASS	NICKEL PLATED
3	PIN CONTACT	Cu ALLOY	GOLD PLATED
2	INSERT D-CODE	PUR	BLACK
1	CABLE 3x0.75mm <sup>2</sup>	TPE	BLACK

CABLE LENGTH TOLERANCES	
>.3M [1FT]:	+19mm-0 [+1.75in-0]
.3 - .9M [1 - 3FT]:	+44.5mm-0 [+1.75in-0]
.9 - 1.8M [3 - 6FT]:	+55.6mm-0 [+2.19in-0]
1.8 - 3.7M [6 - 12FT]:	+88.9mm-0 [+3.50in-0]
3.7 - 7.3M [12 - 24FT]:	+165.1mm-0 [+6.50in-0]
7.3-14.6M [24 - 48FT]:	+317.5mm-0 [+12.50in-0]
14.6 - 30.5M [48-100FT]:	+622.3mm-0 [+24.50in-0]
OVER 30M [100FT]:	+2% OF FINISHED LENGTH

SYMBOLS		THIS DRAWING CONTAINS INFORMATION THAT IS PROPRIETARY TO MOLEX ELECTRONIC TECHNOLOGIES, LLC AND SHOULD NOT BE USED WITHOUT WRITTEN PERMISSION	
▽ = 0	DIMENSION UNITS	SCALE	CURRENT REV DESC: ADD PRIVATE LABEL, CHANGE LENGTH, ADD NOTE, UPDATE LABEL LOCATION
▽ = 0	HYBRID	2:1	
▽ = 0	GENERAL TOLERANCES (UNLESS SPECIFIED)		
▽ = 0	ANGULAR TOL	±	
▽ = 0	4 PLACES	±	EC NO: 618084
▽ = 0	3 PLACES	±	DRWN: MZIELINSKI 2019/05/28
▽ = 0	2 PLACES	±	CHK'D: RSTONE 2019/06/03
▽ = 0	1 PLACE	±	APPR: BWOODMAN 2019/06/12
▽ = 0	0 PLACES	±	INITIAL REVISION:
▽ = 0	DRAFT WHERE APPLICABLE MUST REMAIN WITHIN DIMENSIONS		DRWN: MZIELINSKI 2018/10/04
▽ = 0	THIRD ANGLE PROJECTION	DRAWING	APPR: BWOODMAN 2018/10/08
		SERIES	DOCUMENT NUMBER
		B-SIZE	120079
		MATERIAL NUMBER	CUSTOMER
		SEE CHART	
		SHEET NUMBER	
		1 OF 1	

<b>molex</b>		
MIC 3P MP ULCK DC STR 18/3 TPE		
PRODUCT CUSTOMER DRAWING		
DOCUMENT NUMBER	DOC TYPE	DOC PART
1200790336	PSD	000
REVISION		
E		