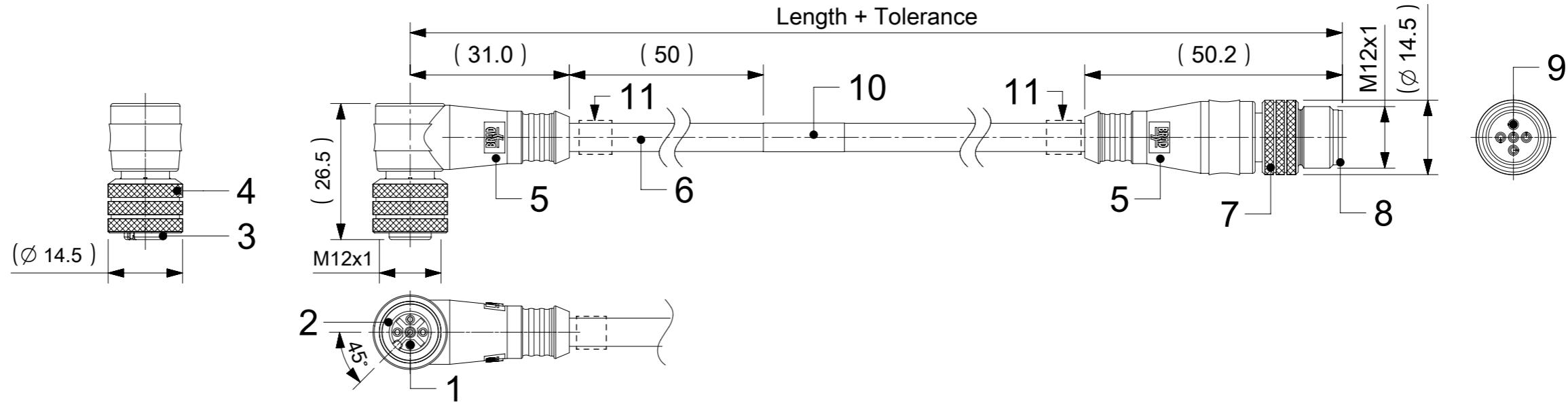


# FEMALE PLUG M12 90° ANGLED TO MALE PLUG M12 STRAIGHT



## NOTES:

- RATED VOLTAGE: 3, 4 contacts 250V per IEC 60664  
5 contacts 60V per IEC 60664  
5 contacts 250V per UL 2238  
8 contacts 30V per IEC 60664
- RATED CURRENT: 3, 4, 5 contacts 4A  
8 contacts 2A
- PROTECTION CLASS: IP 67
- TEMPERATURE: -25°C / +85°C

\* FOR CABLES Ixx USE PRINTING ON THE CABLE IN THE SAME MEASUREMENT LIKE FOR LABEL - ENGINEERING No



## CONTACTS POSITION FRONT VIEW:

|             | 3 CONTACTS |       | 4 CONTACTS |       | 5 CONTACTS |                      | 8 CONTACTS |        |
|-------------|------------|-------|------------|-------|------------|----------------------|------------|--------|
| FEMALE      |            |       |            |       |            |                      |            |        |
| MALE        |            |       |            |       |            |                      |            |        |
| CONNECTIONS | PIN        | WIRE  | PIN        | WIRE  | PIN        | WIRE                 | PIN        | WIRE   |
|             | 1          | BROWN | 1          | BROWN | 1          | BROWN                | 1          | WHITE  |
|             | 2          | ---   | 2          | WHITE | 2          | WHITE                | 2          | BROWN  |
|             | 3          | BLUE  | 3          | BLUE  | 3          | BLUE                 | 3          | GREEN  |
|             | 4          | BLACK | 4          | BLACK | 4          | BLACK                | 4          | YELLOW |
|             | 5          | ---   | 5          | ---   | 5          | GREY OR GREEN/YELLOW | 5          | GREY   |
|             |            |       |            |       |            |                      | 6          | PINK   |
|             |            |       |            |       |            |                      | 7          | BLUE   |
|             |            |       |            |       |            | 8                    | RED        |        |

CODING REQUIRED TO IEC 61076-2-101

## FOR OPTIONS SEE - NUMERICAL CODE - ON SHEET 2

| ITEM | QTY.          | DESCRIPTION             | MATERIAL      | FINISH               |
|------|---------------|-------------------------|---------------|----------------------|
| 11   | SEE PART LIST | ID CARRIER              | PVC           | TRANSPARENT          |
| 10   | 1             | LABEL YELLOW            | VINYL         | ---                  |
|      | -             | PRINTING FOR CABLES Ixx | ---           | ---                  |
| 9    | 3 / 4 / 5 / 8 | CONTACT MALE            | SEE PART LIST | SELECTIVE Au OVER Ni |
| 8    | 1             | INSERT MALE BLACK       | SEE PART LIST | ---                  |
| 7    | 1             | COUPLING NUT MALE       | SEE PART LIST | ---                  |
| 6    | -             | CABLE                   | SEE SHEET 2   | ---                  |
| 5    | -             | OVERMOLDING BLACK       | SEE PART LIST | ---                  |
| 4    | 1             | COUPLING NUT FEMALE     | SEE PART LIST | ---                  |
| 3    | 1             | INSERT FEMALE BLACK     | SEE PART LIST | ---                  |
| 2    | 1             | O-RING RED              | FPM           | ---                  |
| 1    | 3 / 4 / 5 / 8 | CONTACT FEMALE          | SEE PART LIST | SELECTIVE Au OVER Ni |

|                    |   |            |
|--------------------|---|------------|
| FUNCTIONAL SYMBOLS | THIS DRAWING CONTAINS INFORMATION THAT IS PROPRIETARY TO MOLEX ELECTRONIC TECHNOLOGIES, LLC AND SHOULD NOT BE USED WITHOUT WRITTEN PERMISSION |            |
| ▽A = 0             | DIMENSION UNITS: mm   | SCALE: 1:1 |
| ▽E = 0             | GENERAL TOLERANCES (UNLESS SPECIFIED)   |            |
| ▽F = 0             | ANGULAR TOL ± 1.0°  |            |
| DIVISIONAL SYMBOLS | 4 PLACES  | ±          |
|                    | 3 PLACES  | ±          |
|                    | 2 PLACES  | ± 0.05     |
|                    | 1 PLACE   | ± 0.3      |
|                    | 0 PLACES  | ± 0.5      |

|  |                        |                            |                |
|--|------------------------|----------------------------|----------------|
| EC NO: 726454  |                        | 2022/11/30                 |                |
| DRWN: LIKITV   |                        | 2022/11/30                 |                |
| CHK'D: GGA   |                        | 2022/11/30                 |                |
| APPR: GGA  |                        | 2022/11/30                 |                |
| INITIAL REVISION:                                    |                        | DOCUMENT NUMBER            |                |
| DRWN: JMARSZALEK                                     |                        | 1200660973                 |                |
| APPR: RSILLER  |                        | PSD 000 A10                |                |
| 2016/10/06   |                        | DOC TYPE DOC PART REVISION |                |
| 2016/12/08   |                        | 1200660973 PSD 000 A10     |                |
| DRAFT WHERE APPLICABLE MUST REMAIN WITHIN DIMENSIONS | THIRD ANGLE PROJECTION | DRAWING                    | SHEET NUMBER   |
|  |                        | A3-SIZE                    | 120066         |
|  |                        | MATERIAL NUMBER            | CUSTOMER       |
|  |                        | SEE SHEET 3, 4             | GENERAL MARKET |

**ENGINEERING NO. - NUMERICAL CODE** (Available parts see PART LIST table. Other parts available upon request).

**8 8 X 0 X 1 X X X X X X X X**

**OPTIONS**

88=Micro-Change  
M12x1  
Double ended

Contacts:  
3=3 Contacts  
4=4 Contacts  
5=5 Contacts  
8=8 Contacts

Heads style:  
031=Plug Female 90°  
to Plug Male Straight  
021=Plug Female 90°  
to Plug Male Straight  
with Female  
Coupling Nut

Cable type: See Table

Units:  
M=Meter  
C=Centimeter

Length  
Examples:  
005=0.5 unit  
010=1 unit  
100=10 units

Coupling Nut:  
Blank (Standard)=Knurled Brass Ni Plated  
1=Hexagonal Stainless steel  
5=Knurled Derlin  
7=Knurled Brass Ni Plated, Teflon Coated  
Blank=7 for cables I20, I26, K03, K05, P82, S26  
9=Knurled / Hexagonal Brass Ni Plated SW13

H= 2 pcs. of I/D Carrier PVC Transparent  
(Cables Ixx & P82 always with 2 pcs. of  
I/D Carrier even if no H in Engineering No.)

Overmold color:  
Blank (Standard)=Black TPU  
Blank=Yellow TPU for cables  
A09, S19, S20, S26  
Blank=Yellow TPE-E for cables  
K03, K05  
A=Grey / G=Black / Y=Yellow

**COUPLING NUT  
FEMALE MALE**



**CABLE INFORMATION** (for more information see Cable Data Sheet).

| CABLE TYPE | NO. OF WIRES  | CROSS SECTION       | CABLE JACKET    | UL             | CSA                      | STATIC: TEMP. / BENDING RADIUS | DYNAMIC: TEMP. / BENDING RADIUS | DRAG CHAIN  | SHIELD |
|------------|---------------|---------------------|-----------------|----------------|--------------------------|--------------------------------|---------------------------------|---|--------|
| I03        | 3 / 4 / 5     | 0.34mm <sup>2</sup> | PVC CEI GREY    | -              | -                        | -30°C to +70°C                 | -5°C to +70°C                   | -   | -      |
| I20        | 3 / 4         | 0.34mm <sup>2</sup> | PVC CEI GREY    | -              | -                        | -30°C to +70°C                 | -5°C to +70°C                   | -   | YES    |
| I26        | 5             | 0.34mm <sup>2</sup> | PVC CEI GREY    | -              | -                        | -30°C to +70°C                 | -5°C to +70°C                   | -   | YES    |
| K03        | 4             | 18AWG               | TPE YELLOW      | UL ITC or PLC  | I/II A/B 90°C/300V       | max 105°C                      | -                               | -   | -      |
| K05        | 3 / 4 / 5     | 22AWG               | TPE YELLOW      | UL ITC or PLC  | I/II A/B 90°C/300V       | max 105°C                      | -                               | -   | -      |
| P82        | 3 / 4 / 5     | 0.34mm <sup>2</sup> | PUR IRR ORANGE  | -              | -                        | -50°C to +105°C, >5xO.D.       | -40°C to +105°C, >7.5xO.D.      | -   | -      |
| S20        | 3 / 4 / 5     | 0.34mm <sup>2</sup> | PVC YELLOW      | UL 2661/1731   | C22.2 II A 105°C/300V    | -30°C to +105°C                | -                               | -   | YES    |
| E02        | 3 / 4 / 5 / 8 | 0.25mm <sup>2</sup> | PVC BLACK       | UL 2464/1729   | C22.2 I/II A/B 80°C/300V | -30°C to +80°C, 10xO.D.        | -10°C to +80°C, 15xO.D.         | -   | -      |
| E03        | 3 / 4 / 5     | 0.34mm <sup>2</sup> | PVC BLACK       | UL 2464/1729   | C22.2 I/II A/B 80°C/300V | -30°C to +80°C, 10xO.D.        | -10°C to +80°C, 15xO.D.         | -   | -      |
| H09        | 3 / 4 / 5     | 0.34mm <sup>2</sup> | PUR BLACK LSOH  | UL 21198/10493 | C22.2 I/II A/B 80°C/300V | -40°C to +80°C, 5xO.D.         | -25°C to +80°C, 10xO.D.         | 2 000 000 cycles at 20°C, Temp. range +5°C to +60°C | -      |
| P03        | 3 / 4 / 5     | 0.34mm <sup>2</sup> | PUR / PVC BLACK | -              | -                        | -30°C to +80°C, >7xO.D.        | -5°C to +80°C, >15xO.D.         | -   | -      |
| H08        | 8             | 0.25mm <sup>2</sup> | PUR BLACK LSOH  | UL 21198/10493 | UL 21198/10493           | -40°C to +80°C, >5xO.D.        | -25°C to +80°C, >10xO.D.        | 2 000 000 cycles, Temp max 60°C                     | -      |
| P02        | 8             | 0.25mm <sup>2</sup> | PUR / PVC BLACK | -              | -                        | -30°C to +80°C, >7xO.D.        | -5°C to +80°C, >15xO.D.         | -   | -      |

**CABLE LENGTH TOLERANCES**

| OVER    | UP TO AND INCLUDING | TOLERANCES             |
|---------|---------------------|------------------------|
| 0       | 305mm               | +19mm                  |
| 305mm   | 915mm               | +45mm                  |
| 915mm   | 1830mm              | +56mm                  |
| 1830mm  | 3660mm              | +89mm                  |
| 3660mm  | 7320mm              | +165mm                 |
| 7320mm  | 14640mm             | +317mm                 |
| 14640mm | 30500mm             | +610mm                 |
| 30500mm | >                   | +2% of finished length |

|  |   |  |   |
|--|---|--|---|
| FUNCTIONAL SYMBOLS                                   | THIS DRAWING CONTAINS INFORMATION THAT IS PROPRIETARY TO MOLEX ELECTRONIC TECHNOLOGIES, LLC AND SHOULD NOT BE USED WITHOUT WRITTEN PERMISSION |  |   |
|  | DIMENSION UNITS: <b>mm</b><br>SCALE: <b>1:1</b>   | CURRENT REV DESC: REMOVED OBSOLETE PART NUMBERS AS PER PCN#510807.                 |   |
| DIVISIONAL SYMBOLS                                   | GENERAL TOLERANCES (UNLESS SPECIFIED)   |  | PRODUCT CUSTOMER DRAWING<br>DOCUMENT NUMBER: <b>1200660973</b><br>DOC TYPE: PSD<br>DOC PART: 000<br>REVISION: A10                       |
|  | ANGULAR TOL ± 1.0°<br>4 PLACES ±<br>3 PLACES ±<br>2 PLACES ± 0.05<br>1 PLACE ± 0.3<br>0 PLACES ± 0.5  | INITIAL REVISION:<br>DRWN: JMARSZALEK<br>APPR: RSILLER<br>2016/10/06<br>2016/12/08 |   |
| DRAFT WHERE APPLICABLE MUST REMAIN WITHIN DIMENSIONS |   | THIRD ANGLE PROJECTION<br>   | DRAWING: <b>A3-SIZE</b><br>SERIES: <b>120066</b><br>MATERIAL NUMBER: SEE SHEET 3, 4<br>CUSTOMER: GENERAL MARKET<br>SHEET NUMBER: 2 OF 4 |


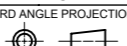
# PART LIST

| No. | Part No.   | Engineering No. | Cable Length |
|-----|------------|-----------------|--------------|
| 1   | 1200060052 | 884031I20M005   | 0.5m         |
| 2   | 1200060053 | 884031I20M010   | 1m           |
| 3   | 1200060054 | 884031I20M015   | 1.5m         |
| 4   | 1200060055 | 884031I20M020   | 2m           |
| 5   | 1200070132 | 883031I03M003   | 0.3m         |
| 6   | 1200070133 | 883031I03M006   | 0.6m         |
| 7   | 1200070134 | 883031I03M010   | 1m           |
| 8   | 1200070136 | 883031I03M020   | 2m           |
| 9   | 1200070137 | 883031I03M030   | 3m           |
| 10  | 1200070138 | 883031I03M050   | 5m           |
| 11  | 1200070152 | 883031S20M010   | 1m           |
| 12  | 1200070153 | 883031S20M020   | 2m           |
| 13  | 1200070156 | 883031S20M050   | 5m           |
| 14  | 1200070522 | 884031I03M020   | 2m           |
| 15  | 1200070523 | 884031I03M030   | 3m           |
| 16  | 1200070534 | 884031S20M030   | 3m           |
| 17  | 1200070651 | 884031I03M006   | 0.6m         |
| 18  | 1200070768 | 884031S20M050   | 5m           |
| 19  | 1200070783 | 884031S20M100H  | 10m          |
| 20  | 1200071138 | 884031S20M010H  | 1m           |
| 21  | 1200071139 | 884031S20M020H  | 2m           |
| 22  | 1200071164 | 884031S20M003H  | 0.3m         |
| 23  | 1200071179 | 884031S20M006H  | 0.6m         |
| 24  | 1200071183 | 884031S20M030H  | 3m           |
| 25  | 1200071189 | 884031S20M050H  | 5m           |
| 26  | 1200071200 | 884031S20M015H  | 1.5m         |
| 27  | 1200071236 | 884031S20M005H  | 0.5m         |
| 28  | 1200071280 | 884031S20M040H  | 4m           |
| 29  | 1200071341 | 884031I20M030   | 3m           |
| 30  | 1200071493 | 883031P82M0507  | 5m           |
| 31  | 1200071832 | 884031I20M050   | 5m           |
| 32  | 1200071833 | 884031I20M100   | 10m          |
| 33  | 1200071893 | 884031S20M100   | 10m          |
| 34  | 1200071994 | 885031P82M0307  | 3m           |
| 35  | 1200072696 | 883031S20M010H  | 1m           |

| No. | Part No.   | Engineering No. | Cable Length |
|-----|------------|-----------------|--------------|
| 36  | 1200072725 | 885031I26M005   | 0.5m         |
| 37  | 1200072726 | 885031I26M010   | 1m           |
| 38  | 1200659070 | 884031I20M010Y  | 1m           |
| 39  | 1200659071 | 884031I20M015Y  | 1.5m         |
| 40  | 1200659115 | 884031I20M005Y  | 0.5m         |
| 41  | 1200660374 | 884031K05M005   | 0.5m         |
| 42  | 1200660375 | 884031K05M006   | 0.6m         |
| 43  | 1200660376 | 884031K05M010   | 1m           |
| 44  | 1200660377 | 884031K05M015   | 1.5m         |
| 45  | 1200660378 | 884031K05M020   | 2m           |
| 46  | 1200660379 | 884031K05M030   | 3m           |
| 47  | 1200660380 | 884031K05M040   | 4m           |
| 48  | 1200660381 | 884031K05M050   | 5m           |
| 49  | 1200660382 | 884031K05M060   | 6m           |
| 50  | 1200660383 | 884031S20M010   | 1m           |
| 51  | 1200660546 | 884031K05M100   | 10m          |
| 52  | 1200661046 | 885031K03M010   | 1m           |
| 53  | 1200661047 | 885031K03M020   | 2m           |
| 54  | 1200661049 | 885031K03M040   | 4m           |
| 55  | 1200661050 | 885031K03M050   | 5m           |
| 56  | 1200661769 | 884031K05M150   | 15m          |
| 57  | 1200669556 | 885031P03M015   | 1.5m         |
| 58  | 1200660969 | 884031K03M003   | 0.3m         |
| 59  | 1200661481 | 884031K03M120   | 12m          |
| 60  | 1200660971 | 884031K03M006   | 0.6m         |
| 61  | 1200660973 | 884031K03M010   | 1m           |
| 62  | 1200660975 | 884031K03M015   | 1.5m         |
| 63  | 1200660976 | 884031K03M020   | 2m           |
| 64  | 1200660977 | 884031K03M030   | 3m           |
| 65  | 1200660978 | 884031K03M040   | 4m           |
| 66  | 1200660980 | 884031K03M050   | 5m           |
| 67  | 1200660982 | 884031K03M060   | 6m           |
| 68  | 1200660983 | 884031K03M070   | 7m           |
| 69  | 1200660984 | 884031K03M090   | 9m           |
| 70  | 1200660985 | 884031K03M100   | 10m          |


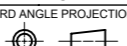
| No. | Part No.   | Engineering No. | Cable Length |
|-----|------------|-----------------|--------------|
| 71  | 1200665039 | 884031S20M003   | 0.3m         |
| 72  | 1200665053 | 884031S20M060H  | 6m           |
| 73  | 1200665074 | 884031K05M080   | 8m           |
| 74  | 1200668052 | 883031S20M006   | 0.6m         |
| 75  | 1200668071 | 884031S20M020   | 2m           |
| 76  | 1200668191 | 883031S20M030   | 3m           |
| 77  | 1200668237 | 883031S20M100   | 10m          |
| 78  | 1200668258 | 883031I03M080   | 8m           |
| 79  | 1200668287 | 884031I20M025   | 2.5m         |
| 80  | 1200668667 | 884031I20M030Y  | 3m           |
| 81  | 1200070443 | 884021S20M003   | 0.3m         |
| 82  | 1200070444 | 884021S20M006   | 0.6m         |
| 83  | 1200070445 | 884021S20M010   | 1m           |
| 84  | 1200070446 | 884021S20M020   | 2m           |
| 85  | 1200070447 | 884021S20M030   | 3m           |
| 86  | 1200070449 | 884021S20M050   | 5m           |
| 87  | 1200668160 | 883021S20M010   | 1m           |
| 88  | 1200668608 | 883031E02M020   | 2m           |
| 89  | 1200668613 | 883031E02M030   | 3m           |
| 90  | 1200659035 | 883031E02M050   | 5m           |
| 91  | 1200668612 | 883031E02M100   | 10m          |
| 92  | 1200668908 | 883031E03M003H  | 0.3m         |
| 93  | 1200070118 | 883031E03M006   | 0.6m         |
| 94  | 1200668909 | 883031E03M006H  | 0.6m         |
| 95  | 1200070119 | 883031E03M010   | 1m           |
| 96  | 1200668910 | 883031E03M010H  | 1m           |
| 97  | 1200070945 | 883031E03M015   | 1.5m         |
| 98  | 1200668967 | 883031E03M015H  | 1.5m         |
| 99  | 1200070121 | 883031E03M020   | 2m           |
| 100 | 1200072445 | 883031E03M020H  | 2m           |
| 101 | 1200070123 | 883031E03M030   | 3m           |
| 102 | 1200668911 | 883031E03M030H  | 3m           |
| 103 | 1200072164 | 883031E03M040   | 4m           |
| 104 | 1200668968 | 883031E03M040H  | 4m           |
| 105 | 1200070125 | 883031E03M050   | 5m           |

| Pos. | Part No.   | Engineering No. | Cable Length |
|------|------------|-----------------|--------------|
| 106  | 1200668912 | 883031E03M050H  | 5m           |
| 107  | 1200668175 | 883031E03M060   | 6m           |
| 108  | 1200070127 | 883031E03M100   | 10m          |
| 109  | 1200658762 | 883031H09M006   | 0.6m         |
| 110  | 1200658763 | 883031H09M010   | 1m           |
| 111  | 1200658764 | 883031H09M020   | 2m           |
| 112  | 1200658765 | 883031H09M030   | 3m           |
| 113  | 1200669349 | 883031H09M030H  | 3m           |
| 114  | 1200658766 | 883031H09M040   | 4m           |
| 115  | 1200658767 | 883031H09M050   | 5m           |
| 116  | 1200658768 | 883031H09M100   | 10m          |
| 117  | 1200070140 | 883031P03M003   | 0.3m         |
| 118  | 1200070141 | 883031P03M006   | 0.6m         |
| 119  | 1200070142 | 883031P03M010   | 1m           |
| 120  | 1200668324 | 883031P03M010G  | 1m           |
| 121  | 1200071121 | 883031P03M010H  | 1m           |
| 122  | 1200070143 | 883031P03M020   | 2m           |
| 123  | 1200668325 | 883031P03M020G  | 2m           |
| 124  | 1200668753 | 883031P03M020H  | 2m           |
| 125  | 1200070144 | 883031P03M030   | 3m           |
| 126  | 1200668326 | 883031P03M030G  | 3m           |
| 127  | 1200070145 | 883031P03M050   | 5m           |
| 128  | 1200668520 | 883031P03M070   | 7m           |
| 129  | 1200070146 | 883031P03M100   | 10m          |
| 130  | 1200070507 | 884031E03M003   | 0.3m         |
| 131  | 1200070508 | 884031E03M006   | 0.6m         |
| 132  | 1200070509 | 884031E03M010   | 1m           |
| 133  | 1200668361 | 884031E03M015   | 1.5m         |
| 134  | 1200070511 | 884031E03M020   | 2m           |
| 135  | 1200070512 | 884031E03M030   | 3m           |
| 136  | 1200669260 | 884031E03M030H  | 3m           |
| 137  | 1200070904 | 884031E03M050   | 5m           |
| 138  | 1200071157 | 884031E03M060   | 6m           |
| 139  | 1200071278 | 884031E03M100   | 10m          |
| 140  | 1200072011 | 884031E03M200   | 20m          |
| 141  | 1200668669 | 884031H09M006   | 0.6m         |
| 142  | 1200668846 | 884031H09M008   | 0.8m         |

|  |   |   |               |   |  |
|--|---|---|---------------|---|--|
| FUNCTIONAL SYMBOLS                                   | THIS DRAWING CONTAINS INFORMATION THAT IS PROPRIETARY TO MOLEX ELECTRONIC TECHNOLOGIES, LLC AND SHOULD NOT BE USED WITHOUT WRITTEN PERMISSION | SCALE   |               | CURRENT REV DESC: REMOVED OBSOLETE PART NUMBERS AS PER PCN#510807.          |                       |
|  | $\nabla/A = 0$<br>$\nabla/E = 0$<br>$\nabla/P = 0$  | mm  | 1:1           |   |  |
| DIVISIONAL SYMBOLS                                   | GENERAL TOLERANCES (UNLESS SPECIFIED)   |   | EC NO: 726454 |   | PRODUCT CUSTOMER DRAWING<br>DOCUMENT NUMBER: 1200660973<br>DOC TYPE: PSD<br>DOC PART: 000<br>REVISION: A10 |
|  | ANGULAR TOL $\pm 1.0^\circ$   |   | 2022/11/30    |   |  |
|  | 4 PLACES $\pm$  |   | DRWN: LIKITV  |   |  |
|  | 3 PLACES $\pm$  |   | CHK'D: GGA    |   |  |
|  | 2 PLACES $\pm 0.05$   |   | APPR: GGA     |   |  |
| 1 PLACE $\pm 0.3$                                    |   | INITIAL REVISION:   |               | MATERIAL NUMBER: 120066<br>CUSTOMER: GENERAL MARKET<br>SHEET NUMBER: 3 OF 4 |  |
| 0 PLACES $\pm 0.5$                                   |   | DRWN: JMARSZALEK<br>APPR: RSILLER   |               |   |  |
| DRAFT WHERE APPLICABLE MUST REMAIN WITHIN DIMENSIONS |   | THIRD ANGLE PROJECTION  | DRAWING       | SERIES  |  |
|  |   |  | A3-SIZE       | 120066  |  |

| Pos. | Part No.   | Engineering No. | Cable Length |
|------|------------|-----------------|--------------|
| 143  | 1200668210 | 884031H09M009   | 0.9m         |
| 144  | 1200668484 | 884031H09M010   | 1m           |
| 145  | 1200668848 | 884031H09M013   | 1.3m         |
| 146  | 1200668488 | 884031H09M015   | 1.5m         |
| 147  | 1200668845 | 884031H09M018   | 1.8m         |
| 148  | 1200668212 | 884031H09M020   | 2m           |
| 149  | 1200668847 | 884031H09M021   | 2.1m         |
| 150  | 1200668215 | 884031H09M030   | 3m           |
| 151  | 1200668670 | 884031H09M050   | 5m           |
| 152  | 1200668671 | 884031H09M100   | 10m          |
| 153  | 1200070526 | 884031P03M003   | 0.3m         |
| 154  | 1200070527 | 884031P03M006   | 0.6m         |
| 155  | 1200060056 | 884031P03M010   | 1m           |
| 156  | 1200060057 | 884031P03M020   | 2m           |
| 157  | 1200070529 | 884031P03M030   | 3m           |
| 158  | 1200071187 | 884031P03M050   | 5m           |
| 159  | 1200072012 | 884031P03M100   | 10m          |
| 160  | 1300288001 | 885031D12M020   | 2m           |
| 161  | 1200668658 | 885031E02M020   | 2m           |
| 162  | 1200668610 | 885031E02M050   | 5m           |
| 163  | 1200668660 | 885031E02M100   | 10m          |
| 164  | 1200668339 | 885031E03M006   | 0.6m         |
| 165  | 1200668189 | 885031E03M010   | 1m           |
| 166  | 1200668278 | 885031E03M020   | 2m           |
| 167  | 1200668340 | 885031E03M030   | 3m           |
| 168  | 1200668279 | 885031E03M050   | 5m           |
| 169  | 1200668653 | 885031E03M070   | 7m           |
| 170  | 1200668348 | 885031E03M100   | 10m          |
| 171  | 1200668761 | 885031E03M150   | 15m          |
| 172  | 1200669229 | 885031H09C250   | 25m          |
| 173  | 1200668512 | 885031H09M006   | 0.6m         |
| 174  | 1200668496 | 885031H09M010   | 1m           |
| 175  | 1200668513 | 885031H09M020   | 2m           |
| 176  | 1200668514 | 885031H09M030   | 3m           |
| 177  | 1200668515 | 885031H09M050   | 5m           |
| 178  | 1200668516 | 885031H09M100   | 10m          |
| 179  | 1200073085 | 885031P03M006   | 0.6m         |
| 180  | 1200668188 | 885031P03M010   | 1m           |
| 181  | 1200072376 | 885031P03M0105  | 1m           |
| 182  | 1200070917 | 885031P03M020   | 2m           |
| 183  | 1200668091 | 885031P03M025   | 2.5m         |
| 184  | 1200070919 | 885031P03M030   | 3m           |
| 185  | 1200668273 | 885031P03M050   | 5m           |
| 186  | 1200073086 | 885031P03M100   | 10m          |
| 187  | 1200070434 | 884021E03M020   | 2m           |
| 188  | 1200658319 | 888031H08M050   | 5m           |
| 189  | 1200668673 | 888031E02M0041  | 0.4m         |
| 190  | 1200668849 | 888031P02M150   | 15m          |

| Pos. | Part No.   | Engineering No. | Cable Length |
|------|------------|-----------------|--------------|
| 191  | 1200656208 | 888031H08C250   | 2.5m         |
| 192  | 1200656209 | 888031H08M005   | 0.5m         |
| 193  | 1200656210 | 888031H08M008   | 0.8m         |
| 194  | 1200656211 | 888031H08M012   | 1.2m         |
| 195  | 1200656212 | 888031H08M015   | 1.5m         |
| 196  | 1200070057 | 883021E03M006   | 0.6m         |
| 197  | 1200070058 | 883021E03M020   | 2m           |
| 198  | 1200070439 | 884021P03M006   | 0.6m         |
| 199  | 1200070440 | 884021P03M010   | 1m           |
| 200  | 1200070441 | 884021P03M020   | 2m           |
| 201  | 1200070442 | 884021P03M030   | 3m           |
| 202  | 1200070870 | 883021P03M050   | 5m           |
| 203  | 1200072191 | 883021E03M030   | 3m           |
| 204  | 1200072198 | 883021E03M050   | 5m           |
| 205  | 1200665038 | 884021E03M050   | 5m           |
| 206  | 1200668061 | 884021E03M006   | 0.6m         |
| 207  | 1200668219 | 884021E03M030   | 3m           |
| 208  | 1200668673 | 888031E02M0041  | 0.4m         |
| 209  | 1200669541 | 884031P03M015   | 1.5m         |
| 210  | 1200669885 | 884031E03M004   | 0.4m         |
| 211  | 1200669886 | 884031E03M005   | 0.5m         |
| 212  | 1200669887 | 884031E03M013   | 1.3m         |
| 213  | 1200669888 | 884031E03M080   | 8m           |

|   |                                       |            |   |  |         |        |                 |                |              |
|---|---------------------------------------|------------|---|--|---------|--------|-----------------|----------------|--------------|
| THIS DRAWING CONTAINS INFORMATION THAT IS PROPRIETARY TO MOLEX ELECTRONIC TECHNOLOGIES, LLC AND SHOULD NOT BE USED WITHOUT WRITTEN PERMISSION |                                       |            |   |  |         |        |                 |                |              |
| FUNCTIONAL SYMBOLS  | DIMENSION UNITS                       | SCALE      | CURRENT REV DESC: REMOVED OBSOLETE PART NUMBERS AS PER PCN#510807.  |  |         |        |                 |                |              |
| $\nabla_A = 0$  | mm                                    | 1:1        | <br>CSE M12 XP AC FE RA MA STR XM DE |  |         |        |                 |                |              |
| $\nabla_E = 0$  | GENERAL TOLERANCES (UNLESS SPECIFIED) |            |   |  |         |        |                 |                |              |
| $\nabla_P = 0$  | ANGULAR TOL $\pm 1.0^\circ$           |            | EC NO: 726454   |  |         |        |                 |                |              |
| DIVISIONAL SYMBOLS  | 4 PLACES                              | $\pm$      | DRWN: LIKITV 2022/11/30   |  |         |        |                 |                |              |
|   | 3 PLACES                              | $\pm$      | CHK'D: GGA 2022/11/30   |  |         |        |                 |                |              |
|   | 2 PLACES                              | $\pm 0.05$ | APPR: GGA 2022/11/30  |  |         |        |                 |                |              |
|   | 1 PLACE                               | $\pm 0.3$  | INITIAL REVISION:   |  |         |        |                 |                |              |
|   | 0 PLACES                              | $\pm 0.5$  | DRWN: JMARSZALEK 2016/10/06   |  |         |        |                 |                |              |
| DRAFT WHERE APPLICABLE MUST REMAIN WITHIN DIMENSIONS  |                                       |            | THIRD ANGLE PROJECTION  |  | DRAWING | SERIES | MATERIAL NUMBER | CUSTOMER       | SHEET NUMBER |
|   |                                       |            |                                      |  | A3-SIZE | 120066 | SEE PART LIST   | GENERAL MARKET | 4 OF 4       |

|                 |    |              |            |          |
|-----------------|----|--------------|------------|----------|
| DOCUMENT STATUS | P1 | RELEASE DATE | 2022/11/30 | 11:33:47 |
|-----------------|----|--------------|------------|----------|