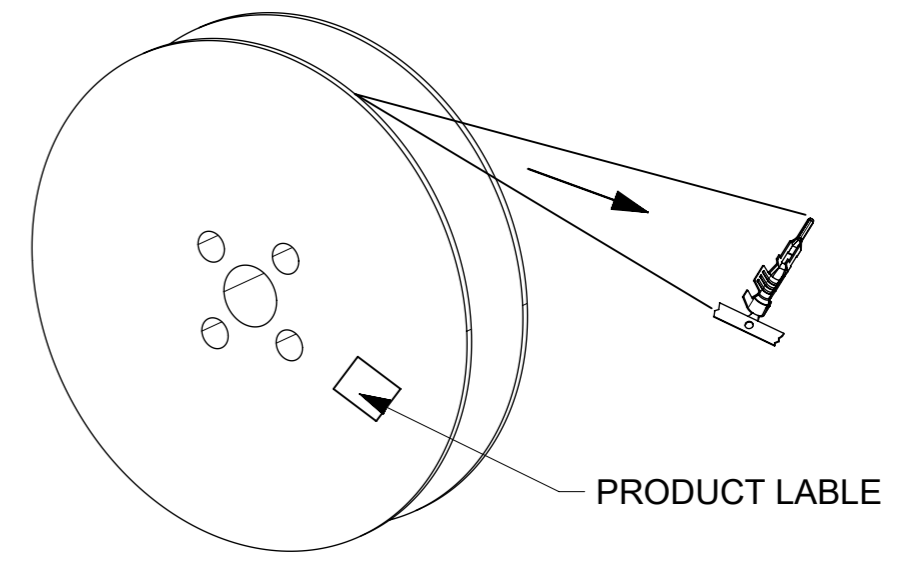
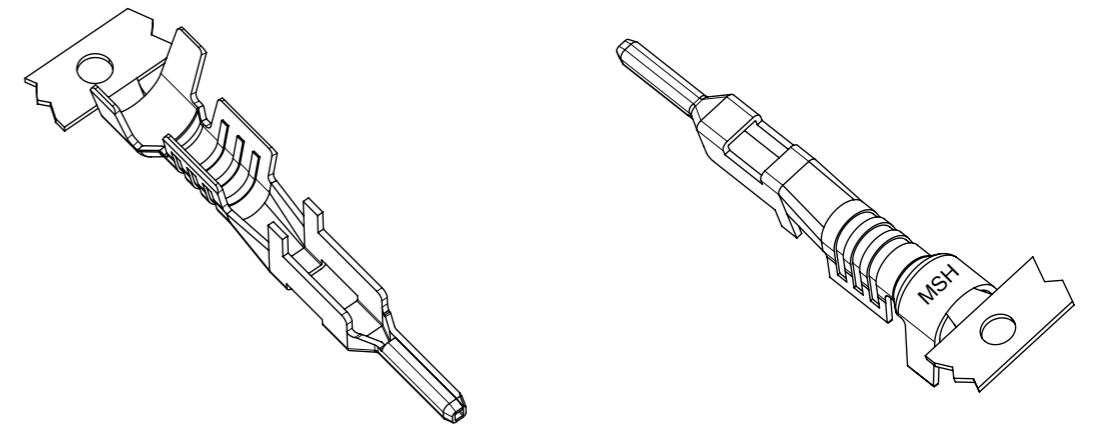
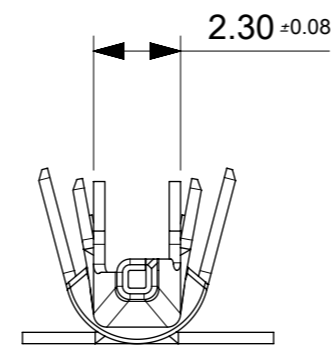
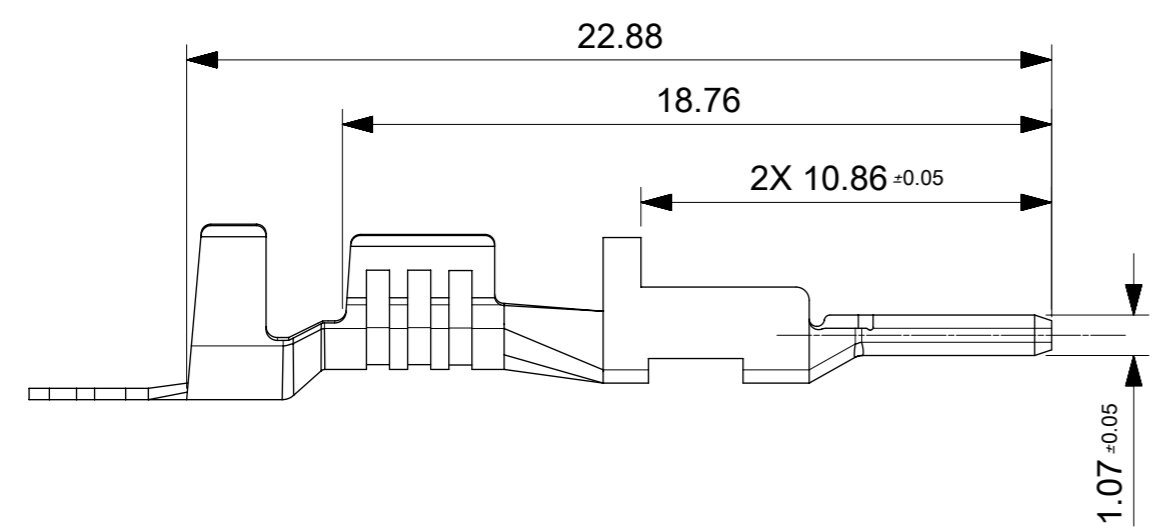
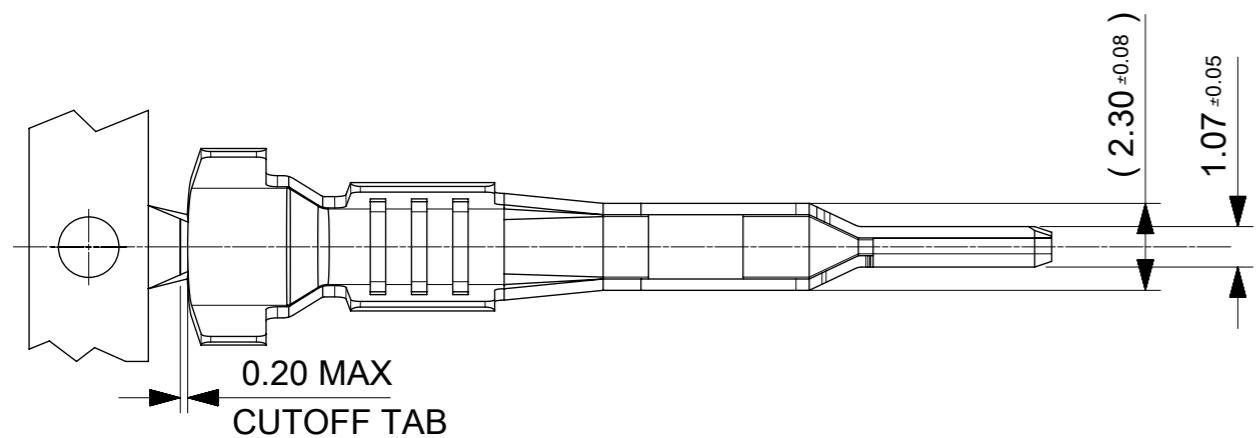


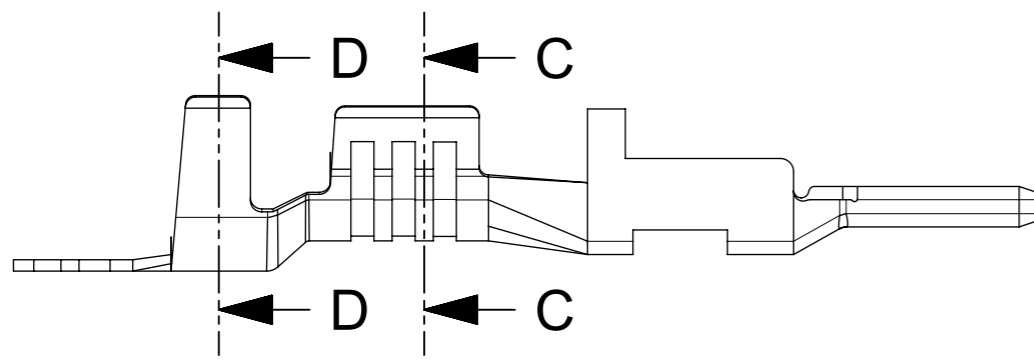
WIRE GAUGE	PART NO.	PLATING OPTION	LUBED
12AWG	105417-0333	HOT DIP TIN PREPLATE-OVERALL	YES
14/16AWG	105417-0334	1.0µm(40µ") MIN	YES
12AWG	105418-0313	15u" GOLD	YES
14/16AWG	105418-0314	0.38µm(15µ") GOLD CONTACT AREA, 1.5µm(60µ")-2.5µm(100µ") MATTE TIN, OVER 1.25µm(50µ")-2.5µm(100µ") NICKEL OVERALL	YES
12AWG	105418-1313	30u" GOLD	YES
14/16AWG	105418-1314	0.76µm(30µ") GOLD CONTACT AREA, 1.5µm(60µ")-2.5µm(100µ") MATTE TIN, OVER 1.25µm(50µ")-2.5µm(100µ") NICKEL OVERALL	YES



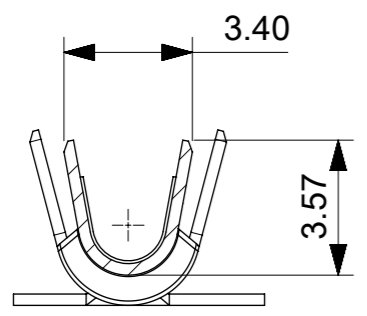
NOTES:

1. MATERIAL: HIGH CONDUCTIVITY COPPER ALLOY.
2. FINISH: SEE CHART.
3. PRODUCT SPECIFICATION: 1054171000-PS.
4. PACKAGING SPECIFICATION: REEL PER 1054170100.
5. TERMINAL USED WITH MOLEX SERIES
PLUG HOUSING: 105411, 213814 AND 213815
FEMALE TERMINALS 76823/172063
6. APPLICATION SPECIFICATION: 768232000-AS

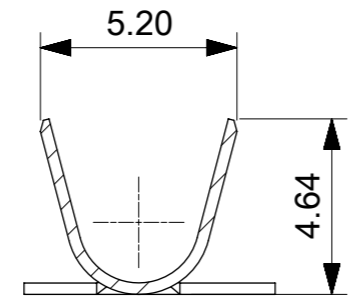
THIS DRAWING CONTAINS INFORMATION THAT IS PROPRIETARY TO MOLEX ELECTRONIC TECHNOLOGIES, LLC AND SHOULD NOT BE USED WITHOUT WRITTEN PERMISSION									
SYMBOLS	DIMENSION UNITS	SCALE	CURRENT REV DESC:				molex		
	mm								
▽ = 0	GENERAL TOLERANCES (UNLESS SPECIFIED)		EC NO: 628261				MALE TML FOR MEGA-FIT 14/16AWG AND 12AWG WIRE		
▽ = 0	ANGULAR TOL ± 0.5°		DRWN: ALUO02 2019/11/28						
▽ = 0	4 PLACES ±		CHK'D: AYIN 2019/12/11				PRODUCT CUSTOMER DRAWING		
▽ = 0	3 PLACES ±		APPR: AYIN 2019/12/11						
▽ = 0	2 PLACES ± 0.25		INITIAL REVISION:				DOCUMENT NUMBER 1054170100		
▽ = 0	1 PLACE ± 0.35		DRWN: YXZHENG 2016/12/15						
▽ = 0	0 PLACES ±		APPR: YXZHENG 2018/08/06				DOC TYPE DOC PART REVISION PSD 000 C1		
■ = 0	DRAFT WHERE APPLICABLE MUST REMAIN WITHIN DIMENSIONS		THIRD ANGLE PROJECTION		DRAWING	SERIES			
▽ = 0			A3-SIZE		105417	GENERAL MARKET		SHEET NUMBER 1 OF 2	



14/16 AWG WIRE STYLES

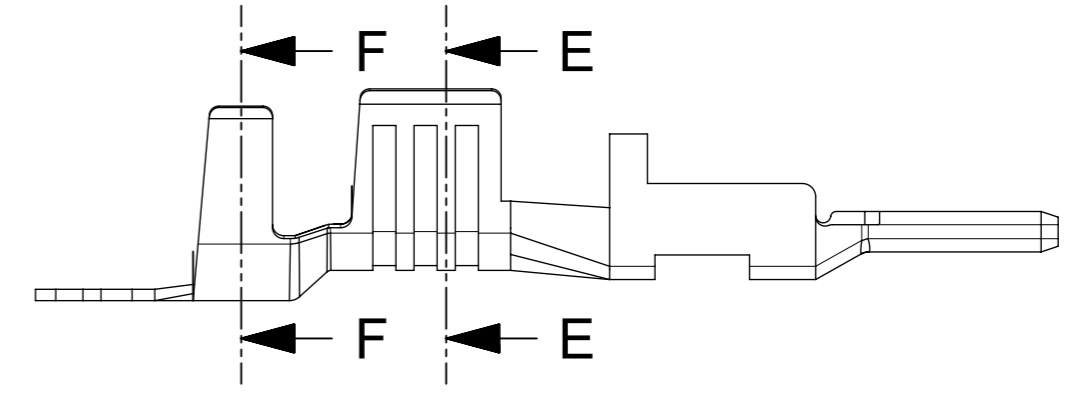


SECTION C-C

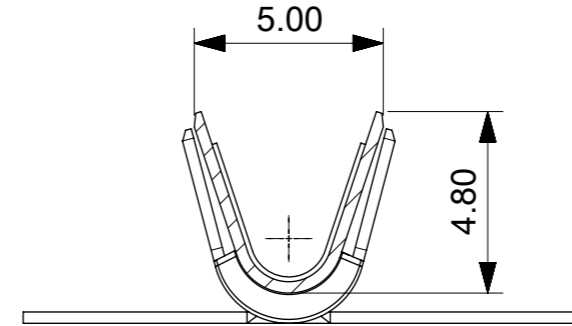


SECTION D-D

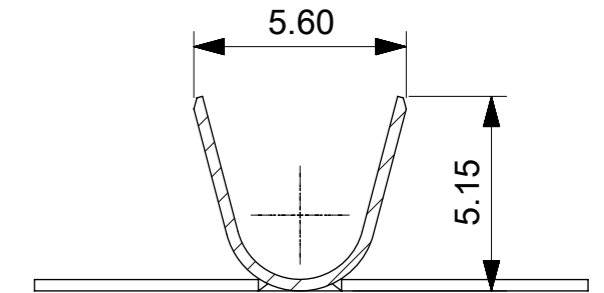
CONDUCTOR AND INSULATION 14/16 AWG WIRE STYLES



12 AWG WIRE STYLES



SECTION E-E



SECTION F-F

CONDUCTOR AND INSULATION 12 AWG WIRE STYLES

SYMBOLS ▽ = 0 ▽ = 0 ▽ = 0 ▽ = 0 ▽ = 0 ▽ = 0 ▽ = 0 ▽ = 0 ▽ = 0 ▽ = 0 ▽ = 0 ▽ = 0 ▽ = 0	THIS DRAWING CONTAINS INFORMATION THAT IS PROPRIETARY TO MOLEX ELECTRONIC TECHNOLOGIES, LLC AND SHOULD NOT BE USED WITHOUT WRITTEN PERMISSION		CURRENT REV DESC:		
	DIMENSION UNITS	SCALE	EC NO: 628261		
	mm		DRWN: ALU002 2019/11/28		
	GENERAL TOLERANCES (UNLESS SPECIFIED)		CHK'D: AYIN 2019/12/11		
ANGULAR TOL ± 0.5°		APPR: AYIN 2019/12/11		PRODUCT CUSTOMER DRAWING	
4 PLACES ±	INITIAL REVISION:		DOCUMENT NUMBER		DOC TYPE
3 PLACES ±	DRWN: YXZHENG 2016/12/15		1054170100		PSD
2 PLACES ± 0.25	APPR: YXZHENG 2018/08/06		SERIES		DOC PART
1 PLACE ± 0.35	THIRD ANGLE PROJECTION		A3-SIZE		000
0 PLACES ±	DRAWING		105417		C1
▣ = 0	DRAFT WHERE APPLICABLE MUST REMAIN WITHIN DIMENSIONS		MATERIAL NUMBER		REVISION
▽ = 0	THIRD ANGLE PROJECTION		CUSTOMER		2 OF 2