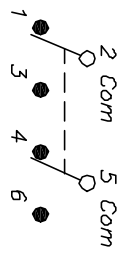


RECOMMENDED P.C.B. LAYOUT

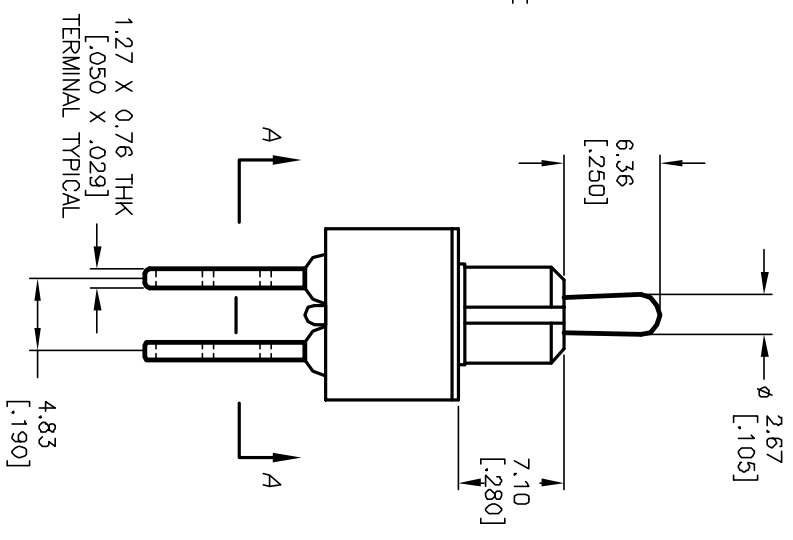
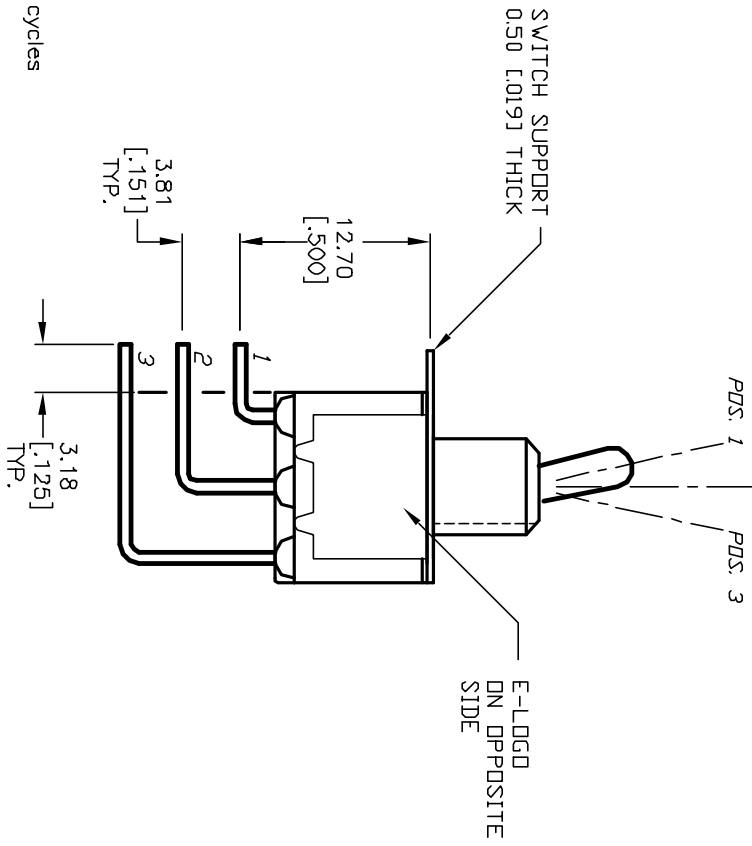
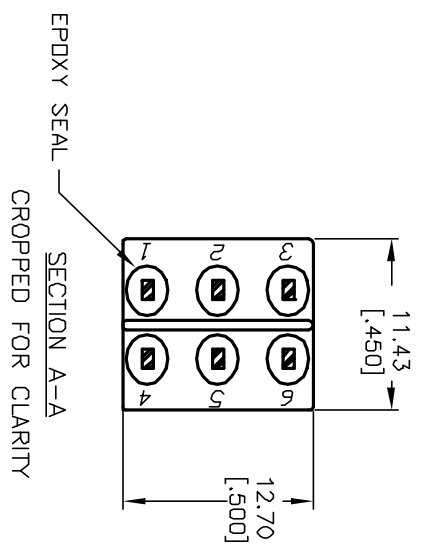
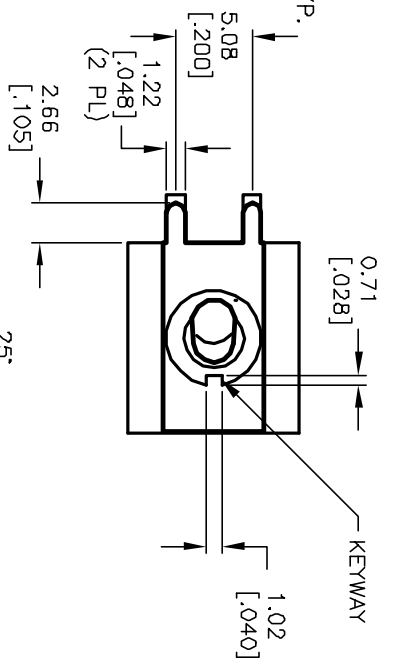


CIRCUIT: DPDT CONTACT CONFIGURATION

SWITCH FUNCTION		
PDS. 1	PDS. 2	PDS. 3
DN	NDNE	<DN>
2-3,5-6	DPEN	2-1,5-4

NOTES:  
( ) = DIMMENTARY

1. ALL DIMENSIONS IN MM [INCH]
2. GENERAL TOLERANCE: X.X=±0.4 X.XX=±0.25
3. TERM. NOS. FOR REF. ONLY
4. RATING: 5A @120VAC or 28VDC 2A @250VAC.
5. FIXED TERM. & MOVING CONTACT: Copper Alloy W/Silver plate.
6. ELECTRICAL LIFE: 50,000 make-and-break cycles at full load.
7. INSULATION RESISTANCE: 1,000M ohm min.
8. DIELECTRIC STRENGTH: 1,000V RMS @sea level.
9. OPERATING TEMP.: -30°C to +85°C.



**E-SWITCH®**

100 DP-2 T2 B4 M7 Q E

REV.	ECN No.	DESCRIPTION	DATE	CHK'D
A	12087	RELEASED FOR PRODUCTION	4/25/02	CJB

TITLE	SCALE	DATE	DR	DWG	REV
100 DP-2 T2 B4 M7 Q E	2:1	3/20/02	CJB	T122012	A

THE INFORMATION CONTAINED IN THIS DOCUMENT IS PROPRIETARY TO E-SWITCH AND IS NOT TO BE COPIED OR TRANSMITTED