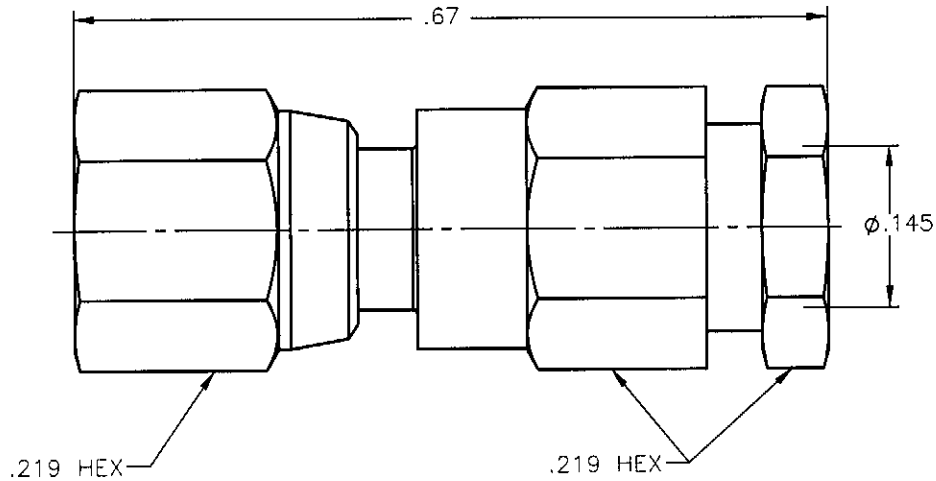


| REVISIONS | | | |
|-----------|-----------------|----------|----------|
| REV. | DESCRIPTION | DATE | APPROVED |
| A | INITIAL RELEASE | 02/23/09 | A.D.M. |



NOTES:


MATERIALS:

1. INSULATORS = VIRGIN WHITE TEFLON PER ASTM D1710, GRADE 1, TYPE I, CLASS "B".
2. CONTACT = BERYLLIUM COPPER PER ASTM B196, ALLOY C17300, TEMPER TD04.
3. ALL OTHER METAL PARTS = BRASS PER ASTM B16, ALLOY C36000, TEMPER H02.

FINISHES:

1. CONTACT = GOLD PLATE PER MIL-G-45204, TYPE II, CLASS 1, GRADE C, OVER .00010 TO .00020 STRESS FREE SULFAMATE NICKEL PER QQ-N-290.
2. ALL OTHER METAL PARTS = GOLD PLATE PER MIL-G-45204, TYPE II, CLASS 0, GRADE C, OVER .00010 TO .00020 COPPER STRIKE PER MIL-C-14550.

Property of Radiall Incorporated
 This document cannot be reproduced or
 communicated to a third party without prior
 written permission of RADIALL Incorporated.

| | | | | | | |
|---|-----------------------|----------|---|--|------------------------|--------------|
| UNLESS OTHERWISE SPECIFIED DIMENSIONS ARE IN INCHES TOLERANCES ON | DWN: | DATE |  APPLIED ENGINEERING PRODUCTS 104 John W. Murphy Dr. New Haven, CT 06513 ■ RADIALL company | | | |
| | A.D.M. | 02/23/09 | | | | |
| | DECIMAL | ANGLE | DATE | SMC STRAIGHT PLUG SOLDER-CLAMP TYPE FOR .141 S/R & SIMILAR CABLES | | |
| | | 02/23/09 | | | | |
| | | DATE | SIZE | FSCM NO. | DWG NO. | REV |
| | | J.M. | A | 19505 | 1002-1541-009 | A |
| REFERENCE: | MATERIALS & FINISHES: | | SCALE 6:1 | | THIRD ANGLE PROJECTION | SHEET 1 OF 1 |
| ORIGINATED: A.D.M. DATE: 02/23/09 | SEE NOTES | | | | | |

1002-1541-009