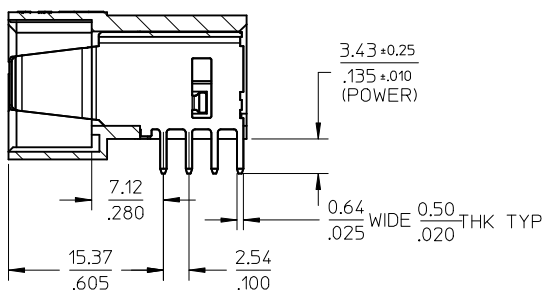
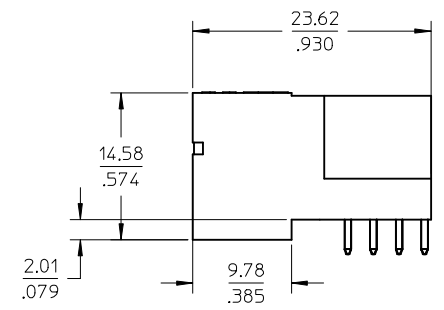
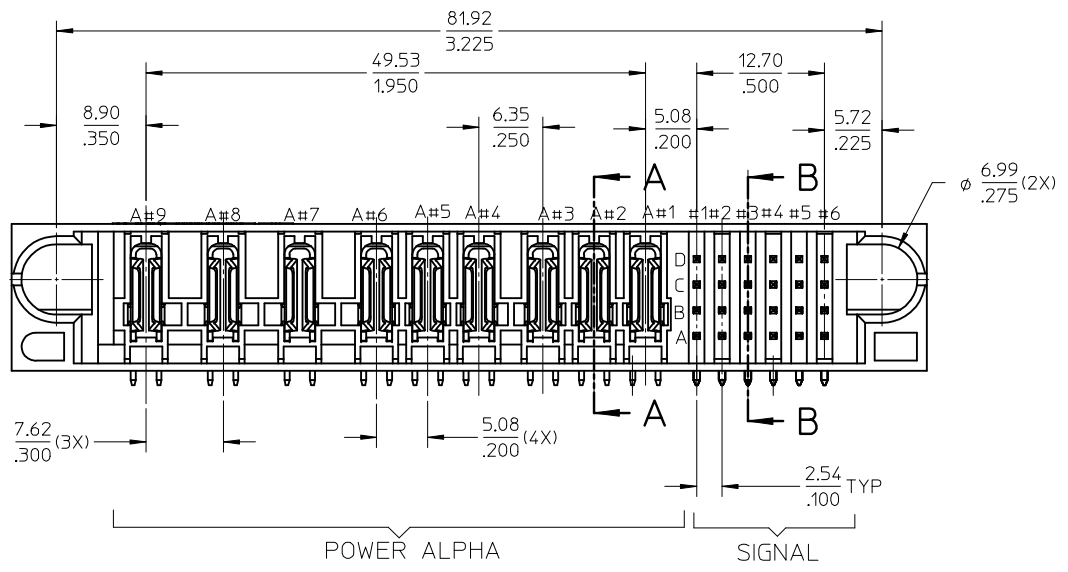
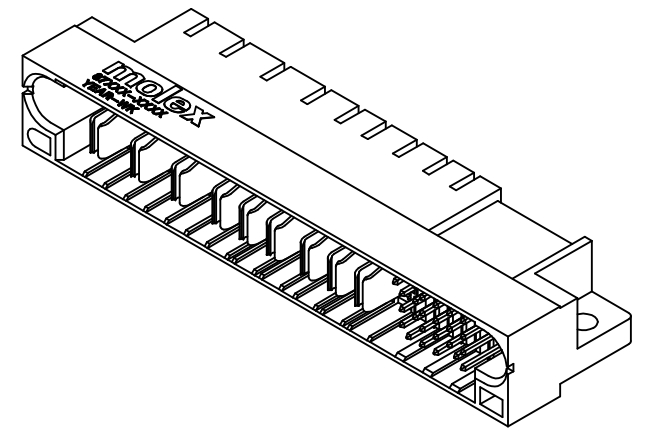
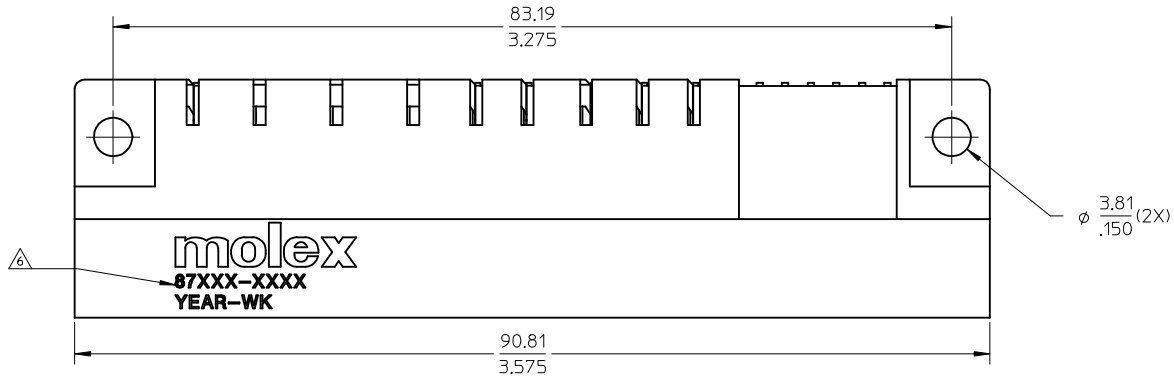


10 9 8 7 6 5 4 3 2 1



PDR#S-001553-00-00	EC NO: S2007-0840	2007/03/29	QUALITY SYMBOLS
	DRWN:GEMARLY	2007/03/29	
B2	CHKD:SKANG	2007/03/30	DESCRIPTION
	APPR:MLONG	2007/03/30	

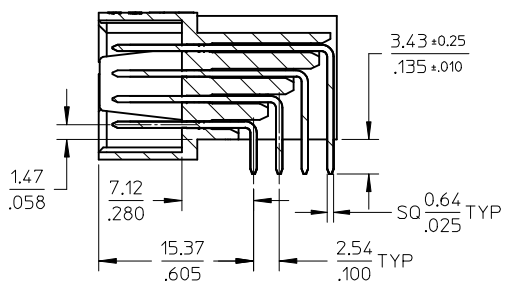
GENERAL TOLERANCES (UNLESS SPECIFIED)	
	mm INCH
4 PLACES	± --- ± ---
3 PLACES	± --- ± .010
2 PLACES	± 0.25 ± ---
1 PLACE	± --- ± ---
ANGULAR ± 3 °	
DRAFT WHERE APPLICABLE MUST REMAIN WITHIN DIMENSIONS	

DIMENSION STYLE		SCALE	DESIGN UNITS	THIRD ANGLE PROJECTION
MM/IN		NTS	METRIC	
DRAWN BY	DATE	TITLE		
BHLOW	2004/07/16	HEADER, 5.08MM		
CHECKED BY	DATE	P-S CONFIG., MULTI CTRS.		
KCL ING	2004/08/16	R/A, T/H, S/M		
APPROVED BY	DATE	MOLEX INCORPORATED		
SCLOW	2004/08/16	DOCUMENT NO.		
MATERIAL NO.		SD-87874-010		
SIZE	THIS DRAWING CONTAINS INFORMATION THAT IS PROPRIETARY TO MOLEX INCORPORATED AND SHOULD NOT BE USED WITHOUT WRITTEN PERMISSION			
A3	SEE TABLE			

SHEET NO.	
1 OF 2	

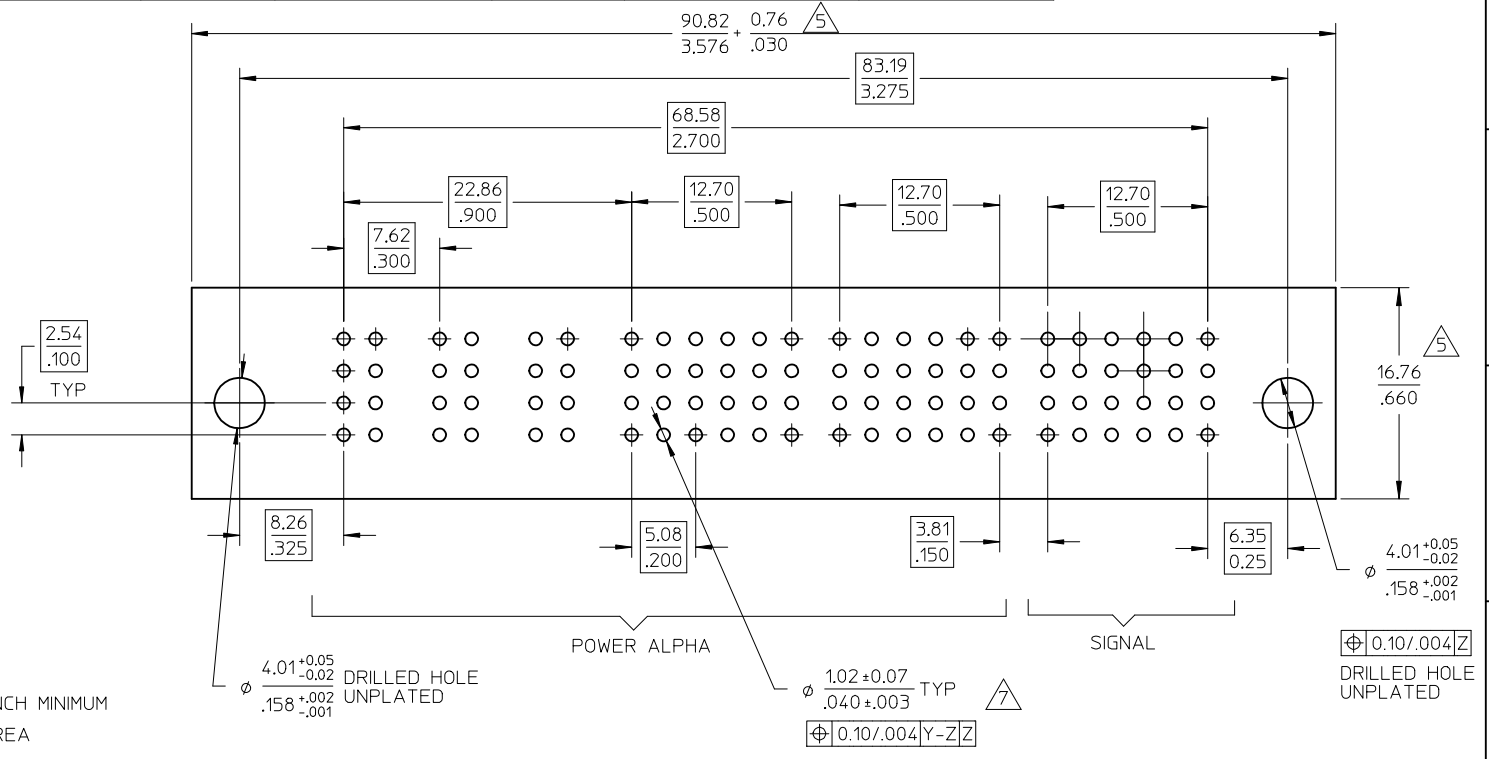
9 8 7 6 5 4 3 2 1

	10	9	8	7	6	5	4	3	2	1		
PART NUMBER	S-P CONFIGURATION		STD SIGNAL PIN LENGTH	RECESSED SIGNAL PIN		VOID PIN LOCATION	PLATING OPTION	PACKAGING				
	POWER ALPHA	SIGNAL		LENGTH	LOCATION							
	87874-2001	9	24	6.86/.270	5.59/.220	A1,A5,B1,B2, C1,C2,D2	NIL	TIN				TRAY
	87874-2002					B3						
	87874-2003					A1-A5, B2-B6 C2-C6, D1-D6						
87874-2004	A5,B5,B6,C5,C6 D2,D6											



SECTION B-B

- NOTES:
- MATERIALS: HOUSING TEMPERATURE, LCP
GLASS FILLED, UL94V-0, COLOUR: BLACK
POWER PINS - COPPER ALLOY
SIGNAL PINS - COPPER ALLOY
BOARDLOCK - COPPER ALLOY
 - FINISHES: POWER & SIGNAL PINS:
SELECTIVE GOLD IN CONTACT AREA.
THICKNESS= 0.76 MICROMETER/ 30 MICROINCH MINIMUM
SELECTIVE TIN ALLOY IN THE PC TAIL AREA
THICKNESS= 2.54 MICROMETER/100 MICROINCH MINIMUM
NICKEL OVERALL.
 - PRODUCT SPECIFICATION: PS-87805-006.
 - SEE SHEET 2 FOR RECOMMENDED PCB LAYOUT AND THICKNESS.
- 5 COMPONENT STAY AWAY ZONE FROM CONNECTOR.
- 6 MANUFACTURER LOGO, PART NUMBER AND YEAR-WEEK CODE.
- 7 PCB NOTE FOR DIAMETER 1.02/.040 PLATED HOLE.
- DRILLED HOLE SIZE IS 1.15/.0453.
 - PLATED WITH 0.007/.0003 MINIMUM TIN OVER 0.03/.001 TO 0.08/.003 COPPER PLATING TO ACHIEVE 1.02±0.08/.040±.003 HOLE.



PDR#S-001553-00-00 EC NO: S2007-0840 DRW:GEMARLY 2007/03/29 CHKD:SKANG 2007/03/29 APPR:MLONG 2007/03/30	QUALITY SYMBOLS ▽=0 ◻=0	GENERAL TOLERANCES (UNLESS SPECIFIED)		DIMENSION STYLE MM/IN		SCALE NTS	DESIGN UNITS METRIC	THIRD ANGLE PROJECTION			
		4 PLACES ± --- ± ---	3 PLACES ± --- ± .010	2 PLACES ± 0.25 ± ---	1 PLACE ± --- ± ---	ANGULAR ± 3 °	DRAWN BY BHLOW	DATE 2004/07/16	TITLE HEADER, 5.08MM P-S CONFIG., MULTI CTRS. R/A, T/H, S/M		
		DRAFT WHERE APPLICABLE MUST REMAIN WITHIN DIMENSIONS		SEE TABLE		APPROVED BY SCLOW		DATE 2004/08/16	MOLEX INCORPORATED		
		MATERIAL NO.		DOCUMENT NO.		SHEET NO.		SD-87874-010 2 OF 2			