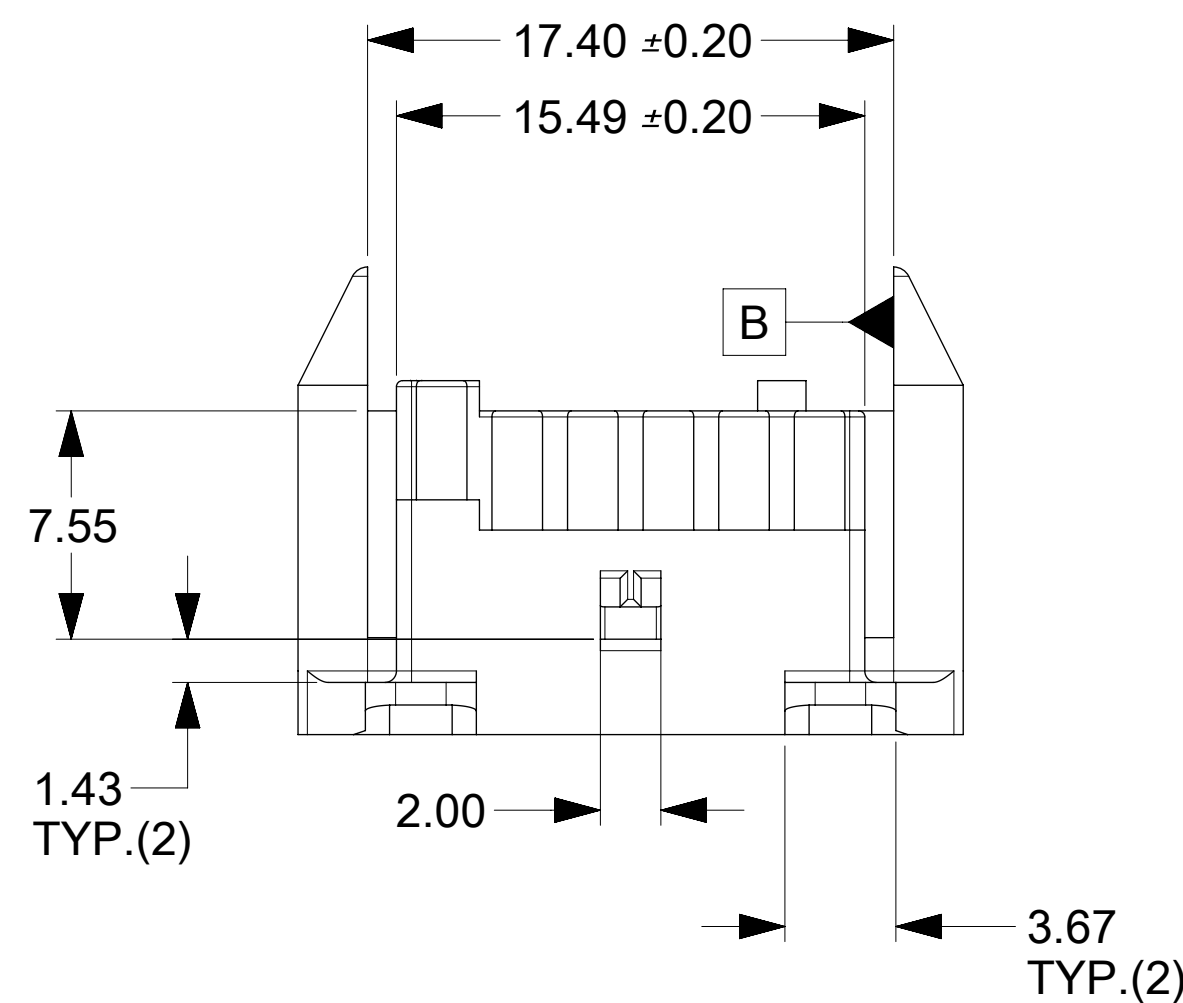
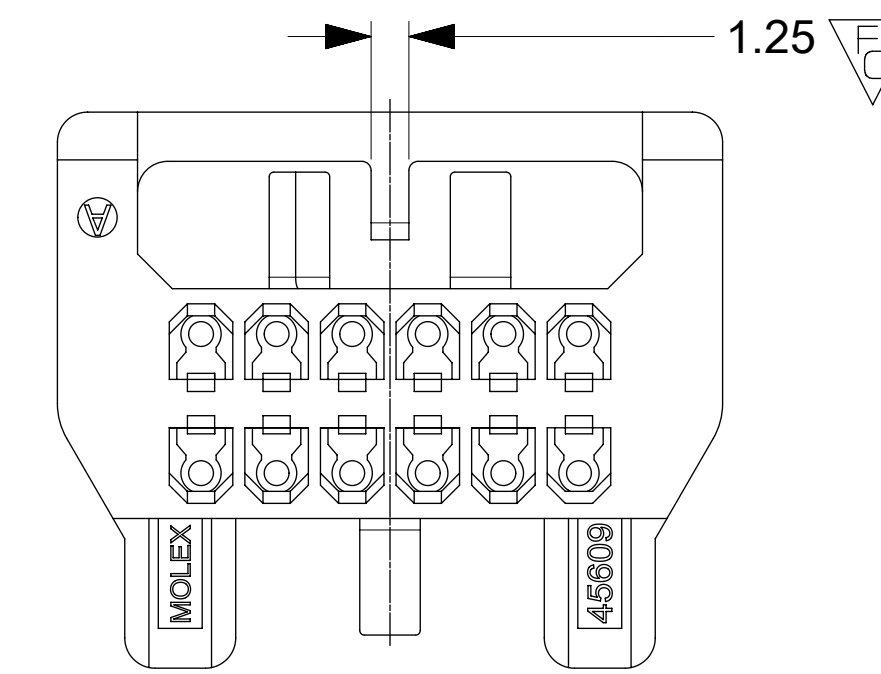
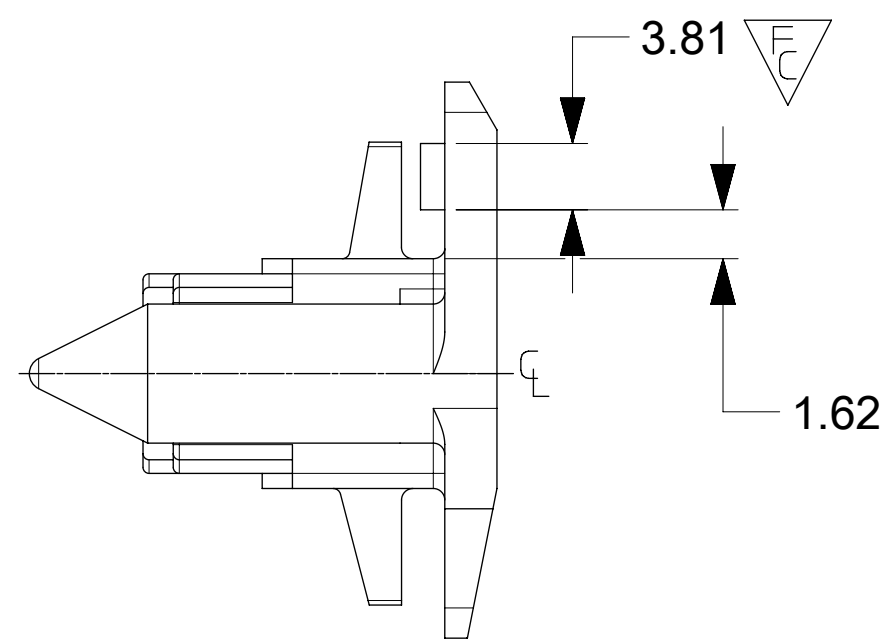
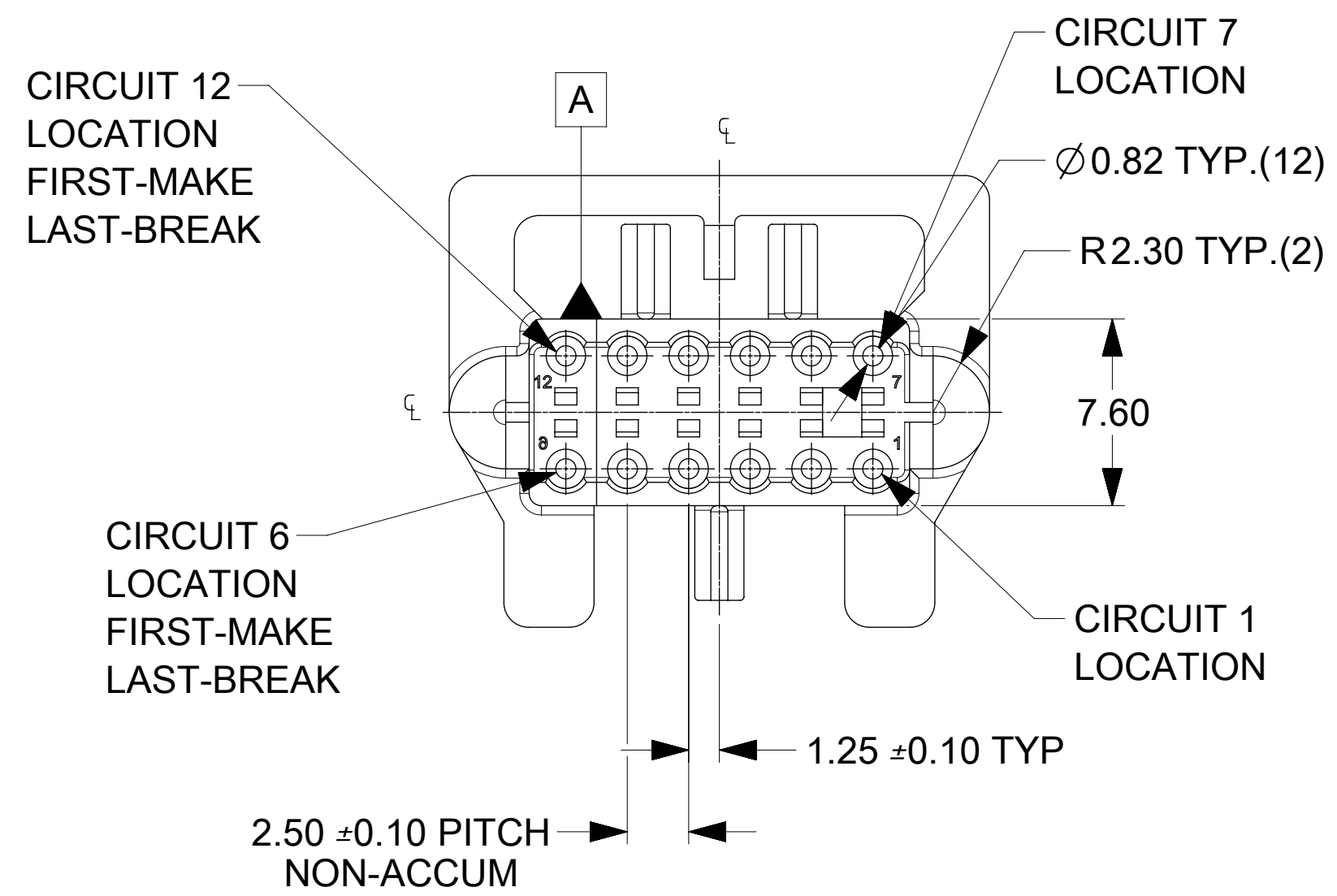


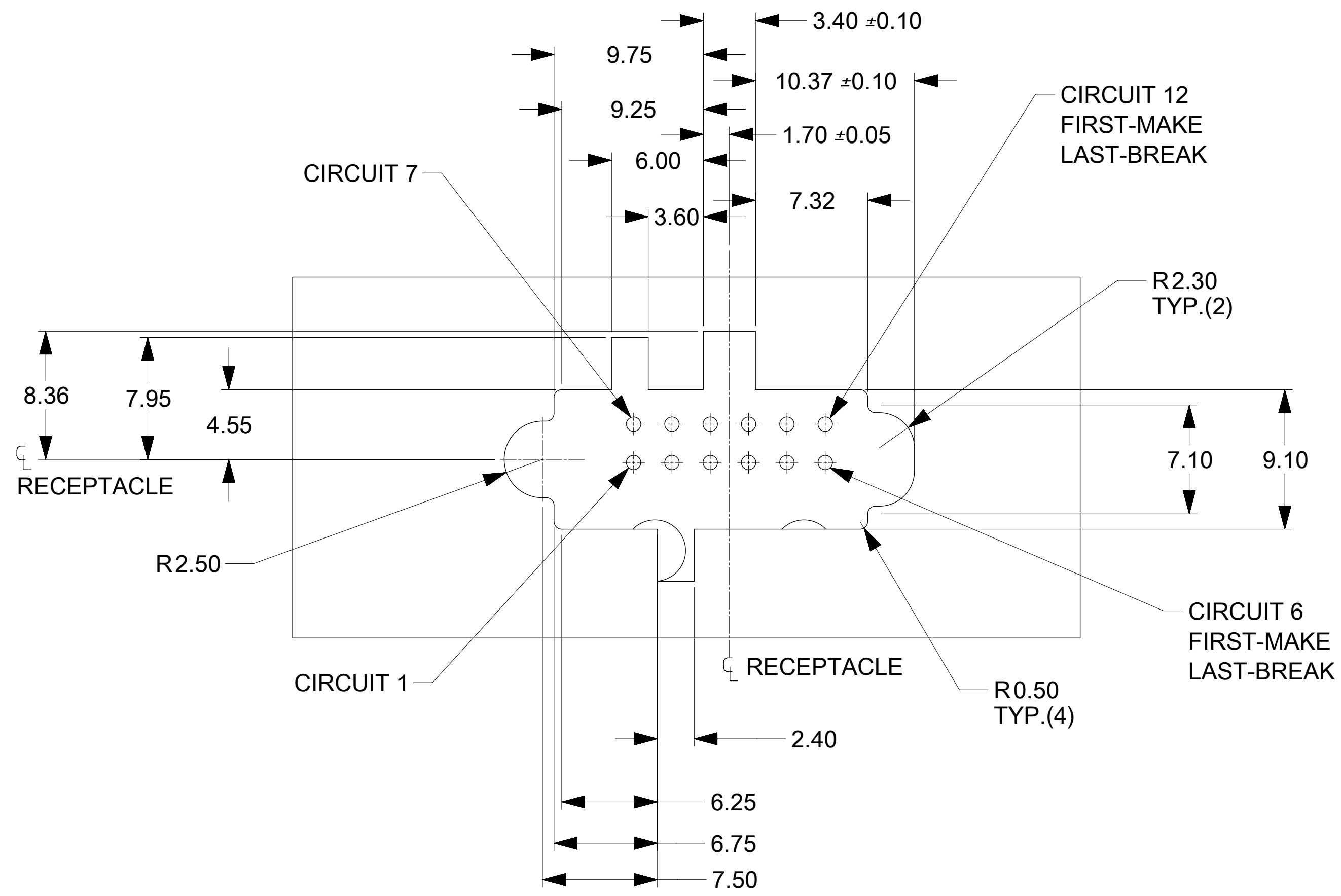
TERMINALS ARE TO BE ORIENTED AND LOADED
IN TO THE HOUSING AS SHOWN ABOVE



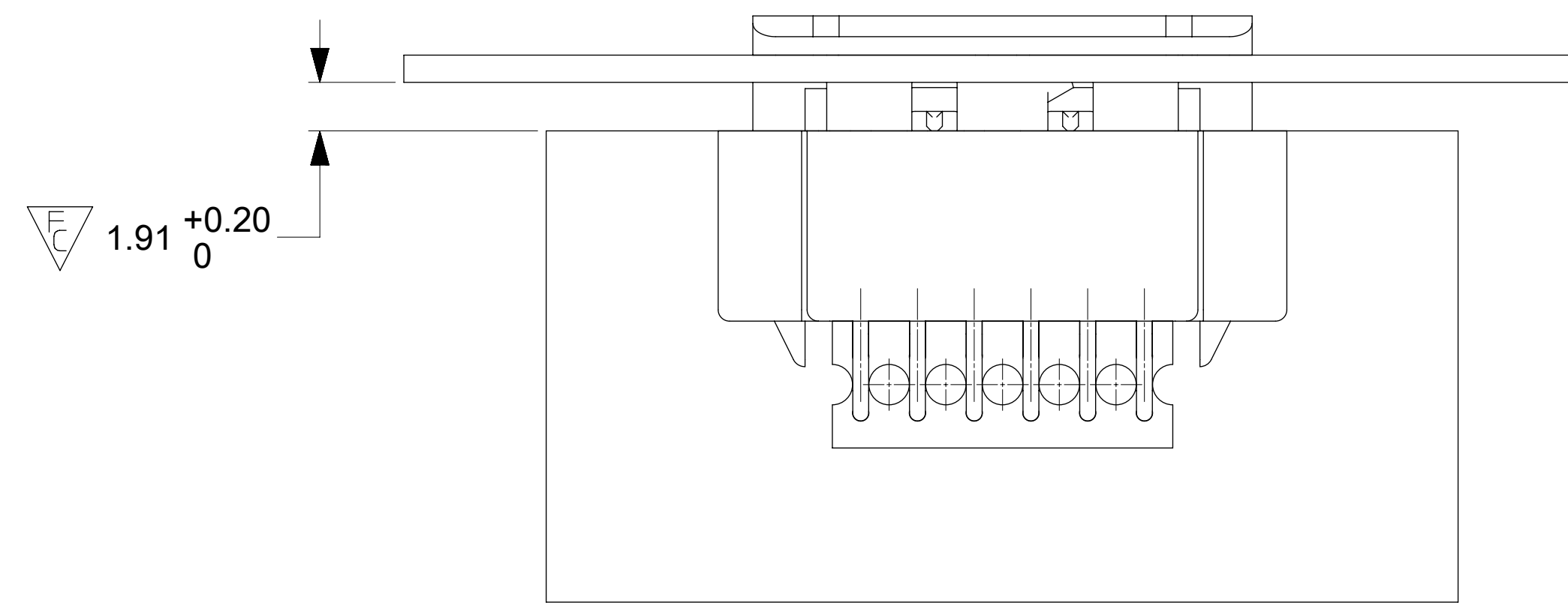
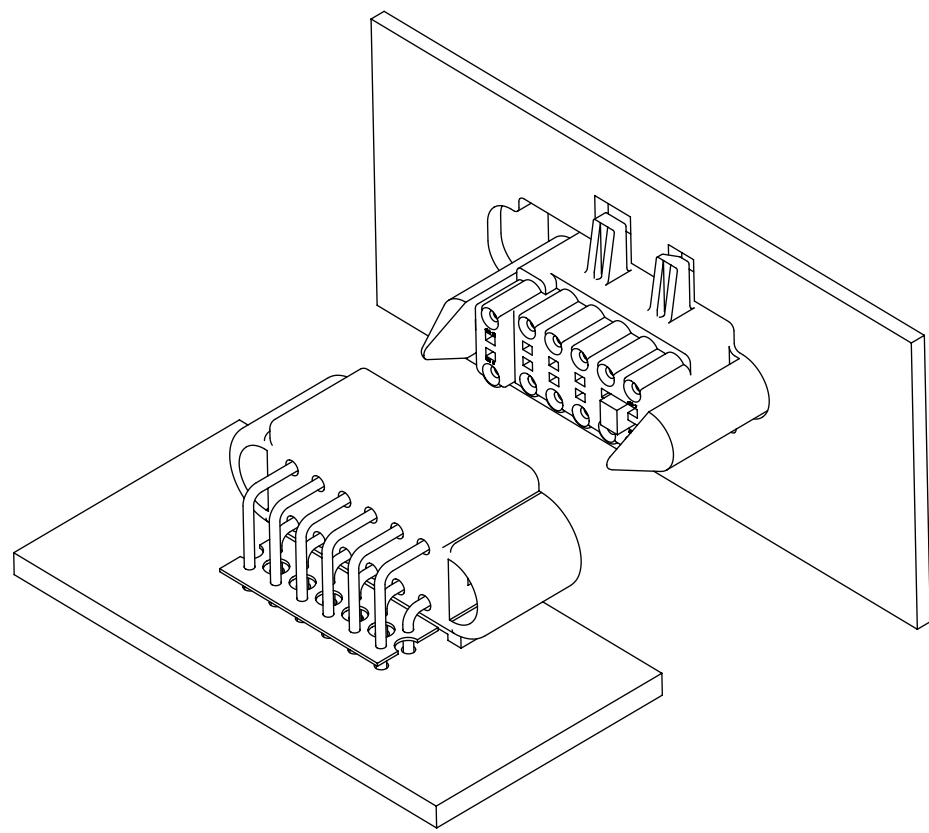
NOTES:

1. MATERIAL: POLYESTER, UL94V-0, COLOR: BLACK.
2. PRODUCT SPECIFICATION: TBD.
3. USES FEMALE CRIMP TERMINALS, SERIES 5263. (NOTE ORIENTATION OF TERMINALS)
4. PART MATES WITH MOLEX HEADER ASSEMBLY SERIES 45608.
5. PACKAGING: BULK.
6. SEE PAGE 2 OF 2 FOR PANEL CUTOUT DIMENSIONS AND THE ALLOWED BOARD TO PANEL MISALIGNMENT.
7. USE TOOL NUMBER 63813-1400 TO REMOVE TERMINALS FROM HOUSING WHEN NECESSARY. CAUTION: TERMINALS MUST NOT BE REUSED AFTER REMOVAL.

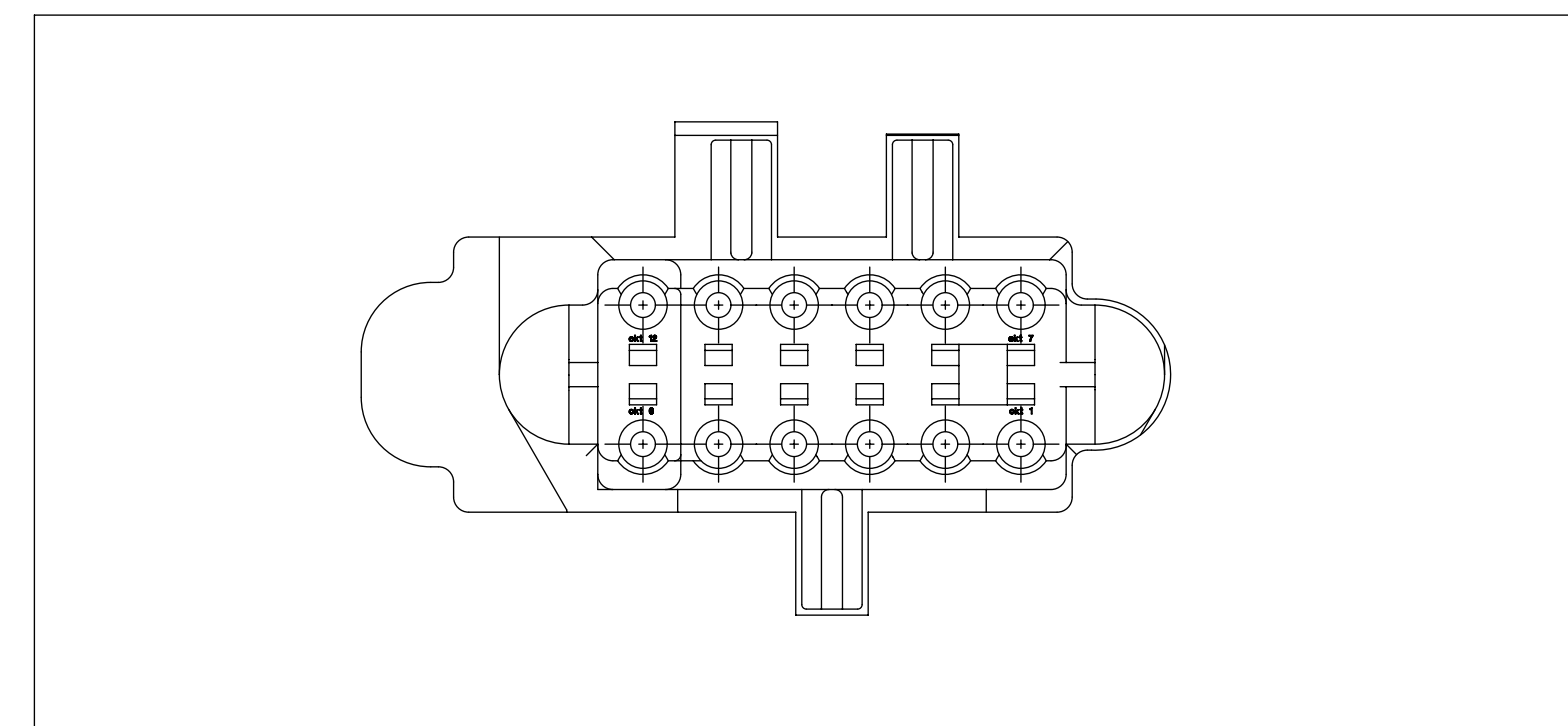
THIS DRAWING CONTAINS INFORMATION THAT IS PROPRIETARY TO MOLEX ELECTRONIC TECHNOLOGIES, LLC AND SHOULD NOT BE USED WITHOUT WRITTEN PERMISSION											
DIMENSION UNITS		SCALE		CURRENT REV DESC:							
MM		4:1		<p>molex</p> <p>SPOX BMI RECEPTACLE HOUSING, 12 PIN PANEL MOUNT</p> <p>PRODUCT CUSTOMER DRAWING</p> <p>DOCUMENT NUMBER: SD-45609-012 DOC TYPE: PSD DOC PART: 001 REVISION: A5</p> <p>MATERIAL NUMBER: 45609-0012 CUSTOMER: IBM SHEET NUMBER: 1 OF 2</p>							
GENERAL TOLERANCES (UNLESS SPECIFIED)											
	MM	INCH									
4 PLACES	±	±									
3 PLACES	±	±									
2 PLACES	± 0.25	±									
1 PLACE	± 0.3	±									
0 PLACES	±	±									
ANGULAR TOL		± 0.5 °		EC NO: 625546				2017/09/11			
DRAFT WHERE APPLICABLE MUST REMAIN WITHIN DIMENSIONS		THIRD ANGLE PROJECTION		DRWN: RLALSANGI				2019/10/18			
		DRAWING		CHK'D: ISHWARG				2019/10/18			
		D-SIZE		APPR: ISHWARG				2019/10/18			
		SERIES		INITIAL REVISION:							
		45609		DRWN: DROSCA				2006/09/06			
				APPR: JCOMERCI				2006/09/06			



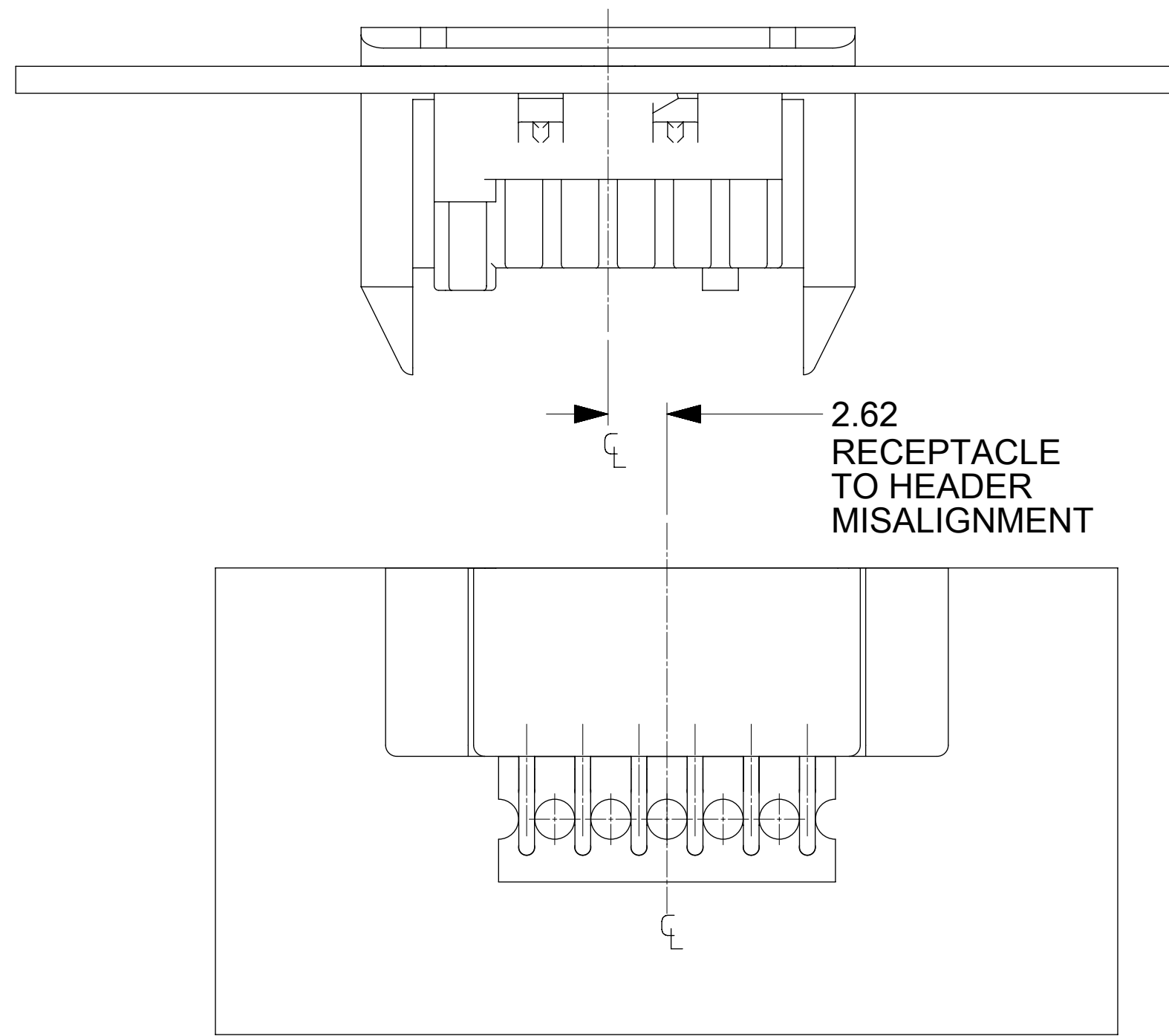
PANEL CUTOUT
PANEL THICKNESS 1.20±0.12MM



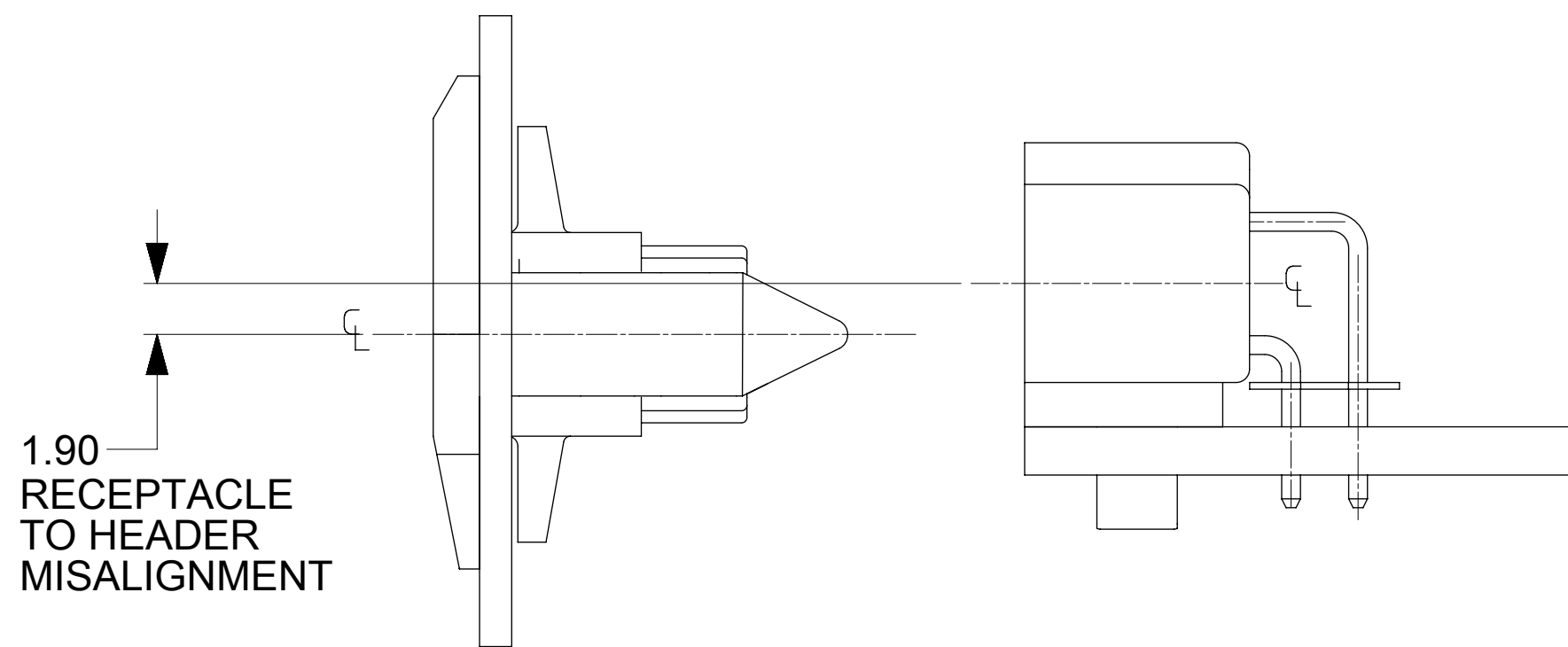
PANEL TO PCB STACK HEIGHT



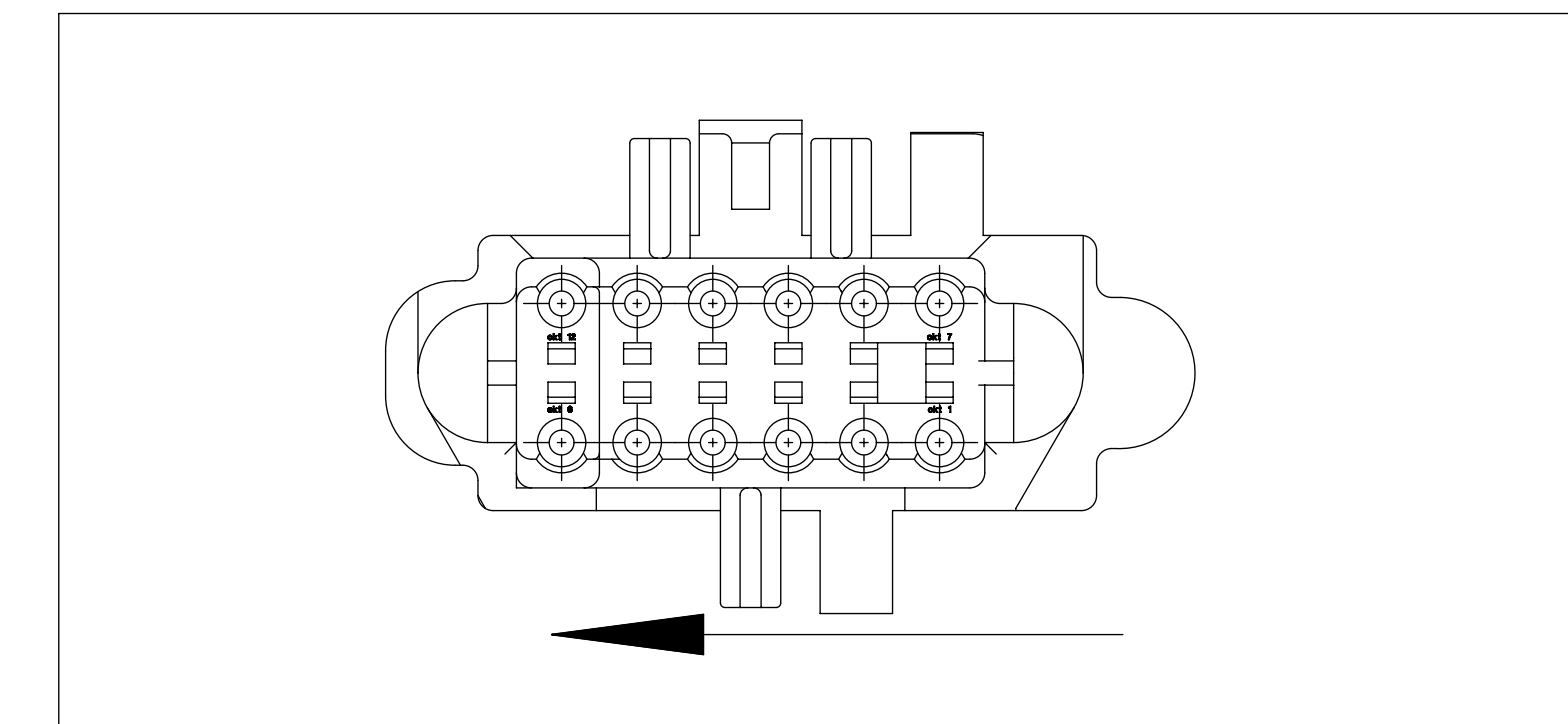
RECEPTACLE
INSERT POSITIONING



2.62
RECEPTACLE
TO HEADER
MISALIGNMENT



1.90
RECEPTACLE
TO HEADER
MISALIGNMENT



RECEPTACLE SLIDES
INTO MOUNTED POSITION

THIS DRAWING CONTAINS INFORMATION THAT IS PROPRIETARY TO MOLEX ELECTRONIC TECHNOLOGIES, LLC AND SHOULD NOT BE USED WITHOUT WRITTEN PERMISSION

DIMENSION UNITS MM		SCALE 4:1		CURRENT REV DESC:				molex							
GENERAL TOLERANCES (UNLESS SPECIFIED)				EC NO: 625546											
		MM	INCH	DRWN: RLALSANGI		2017/09/11		SPOX BMI RECEPTACLE HOUSING, 12 PIN PANEL MOUNT							
4 PLACES ±		±	±	CHK'D: ISHWARG		2019/10/18									
3 PLACES ±		±	±	APPR: ISHWARG		2019/10/18		PRODUCT CUSTOMER DRAWING							
2 PLACES ±		0.25	±	INITIAL REVISION:				DOCUMENT NUMBER							
1 PLACE ±		0.3	±	DRWN: DROSCA				2006/09/06		DOC TYPE		DOC PART	REVISION		
0 PLACES ±		±	±	APPR: JCOMERCI				2006/09/06		PSD		001	A5		
ANGULAR TOL ± 0.5°				DRAFT WHERE APPLICABLE MUST REMAIN WITHIN DIMENSIONS		THIRD ANGLE PROJECTION		DRAWING		SERIES		MATERIAL NUMBER		CUSTOMER	SHEET NUMBER
						D-SIZE		45609		45609-0012		IBM		2 OF 2	