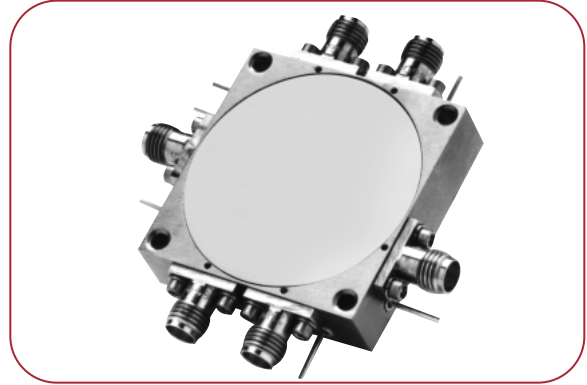


SINGLE-POLE FIVE-THROW SWITCHES

FEATURES

- Multioctave bands 0.2 to 18 GHz
- Current or TTL control
- Low insertion loss
- High isolation
- Medium and high speed models
- Drop-in models available



Frequency Range (GHz)	Model Number	Insertion Loss (dB, Max.)	Isolation (dB, Min.)	VSWR (Max.)	Type	Rise/Fall Time (ns, Typ.)	On/Off Time (ns, Typ.)	On/Off Time (ns, Max.)	DC Power Positive (mA, Max.)	DC Power Negative (mA, Min.)
STANDARD, MULTIOCTAVE BAND MODELS										
0.2–2	SW5-002020RN1NF	1.8	60	1.7:1	Reflective	20/20	150	180	135	135
	SW5-002020AN1NF	2.2	65	1.7:1	Absorptive	20/20	150	180	135	135
0.5–2	SW5-005020RN1NF	1.7	65	1.7:1	Reflective	20/20	150	180	135	135
	SW5-005020AN1NF	2.1	65	1.7:1	Absorptive	20/20	150	180	135	135
2–8	SW5-020080RN1NF	2.1	65	1.8:1	Reflective	20/20	150	180	135	135
	SW5-020080AN1NF	2.4	65	1.8:1	Absorptive	20/20	150	180	135	135
4–12	SW5-040120RN1NF	2.8	65	1.8:1	Reflective	20/20	150	180	135	135
	SW5-040120AN1NF	2.9	65	1.8:1	Absorptive	20/20	150	180	135	135
2–18	SW5-020180RN1NF	3.3	60	2:1	Reflective	20/20	150	180	135	135
	SW5-020180AN1NF	3.6	60	2:1	Absorptive	20/20	150	180	135	135
1–18	SW5-010180RN1NF	3.5	60	2:1	Reflective	20/20	150	180	135	135
	SW5-010180AN1NF	3.8	60	2:1	Absorptive	20/20	150	180	135	135
OPTIMIZED PERFORMANCE MODEL										
3.5–4.5	SW5-035045AN3NF	2.9	80	1.8:1	Absorptive	35/35	150	300	135	135

Electrical performance of multioctave models can be optimized over narrower bandwidths, or for a particular parameter. Electrical options include: Lower insertion loss, lower VSWR, higher isolation, high power and flat amplitude response. Mechanical/Control options include: Custom packaging, single supply operation, ultra-fast on/off time and BCD decoder. Consult MITEQ for options.

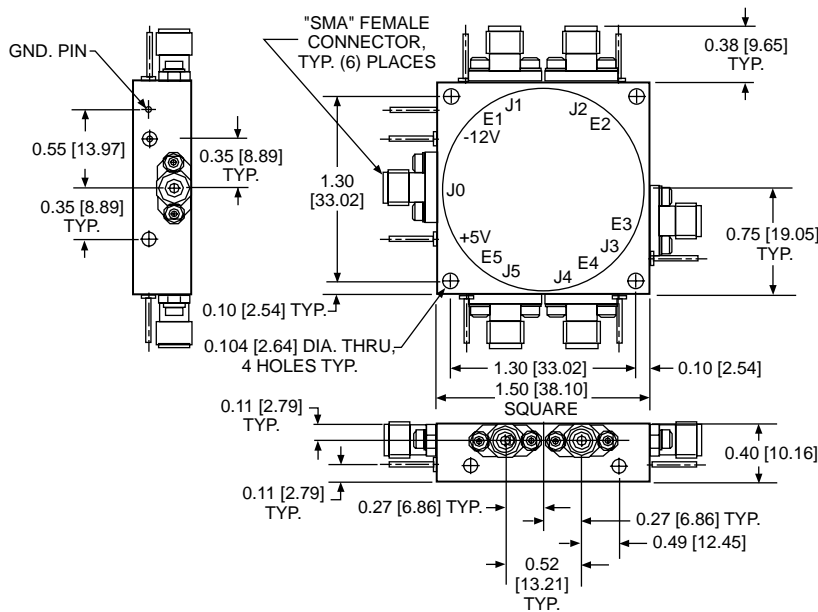
SINGLE-POLE FIVE-THROW SWITCHES (CONT.)

TTL CONTROL LOGIC

Non-inverting	Logic 0 (low) (0 to 0.8 V)	Insertion loss
	Logic 1 (high) (2.4 to 4.7 V)	Isolation
Inverting	Logic 0 (low) (0 to 0.8 V)	Isolation
	Logic 1 (high) (2.4 to 4.7 V)	Insertion loss

SP5T	Non-inverting Control Input					Signal Path	Inverting Control Input					Signal Path
	E1	E2	E3	E4	E5		E1	E2	E3	E4	E5	
Low	High	High	High	High	High	J0 - J1	High	Low	Low	Low	Low	J0 - J1
High	Low	High	High	High	High	J0 - J2	Low	High	Low	Low	Low	J0 - J2
High	High	Low	High	High	High	J0 - J3	Low	Low	High	Low	Low	J0 - J3
High	High	High	Low	High	High	J0 - J4	Low	Low	Low	High	Low	J0 - J4
High	High	High	High	Low	Low	J0 - J5	Low	Low	Low	Low	High	J0 - J5

SP5T OUTLINE DRAWING



GENERAL NOTES:

1. Dimensions shown in brackets [] are in millimeters.
2. Unless specified, all connectors are type SMA female field replaceable. SMA male also available, see ordering options.
3. Tolerance as follows:
 .xx = ±0.01 [.xx = ±0.25]
 .xxx = ±0.005 [.xxx = ±0.13]



SP5T SWITCH ORDERING INFORMATION

To order a switch, please include the model number derived from the following table. If requesting a quotation for a switch not listed in this catalog, please consult MITEQ. Include any additional specifications that are not listed.

	<i>SW</i>	<i>5</i>	<i>- 020</i>	<i>180</i>	<i>A</i>	<i>N</i>	<i>1</i>	<i>N</i>	<i>F</i>
SWITCH _____									
Number of throw(s) _____									
Frequency (100's of MHz)									
Lower frequency _____									
Upper frequency _____									
Type _____									
Absorptive									
Reflective									
Logic _____									
Non-inverting									
Inverting									
No driver									
Power Supply _____									
+5 V, -12 V									
+5 V, -5 V									
+5 V, -15 V									
+12 V, -12 V									
+15 V, -15 V									
No driver									
Hermeticity _____									
Non-hermetic									
Hermetic									
Connectors _____									
SMA-Female									
SMA-Male									

Note 1: For "no driver" option, unit is current controlled through logic control pin, -20 mA for low loss condition and +20 mA for isolation state. Switching speeds are not measured on driverless units.

Note 2: This option has 0.2 dB higher insertion loss, on/off time is 200 ns maximum and rise/fall time is 30 ns typical.

AVAILABLE OPTIONS

- Add suffix AM Amplitude matching port-to-port
- Add suffix PM Phase matching port-to-port
- Add suffix VL1 Common port video filter
- Add suffix VL2 Output port(s) video filter
- Add suffix VL3 Both common port and output port(s) video filter
- Add suffix HP Higher power (alternate package configurations)

Example:

The above illustrated part number SW5-020180AN1NF is for the following:

- Switch SP5T
- 2 to 18 GHz
- Absorptive
- Non-inverting
- +5 V, -12 V
- Non-hermetic
- SMA-F connectors

Consult MITEQ for additional options.

When additional options are ordered, MITEQ will add a 4 digit number (-SXXXX) suffix to the part number.



MITEQ