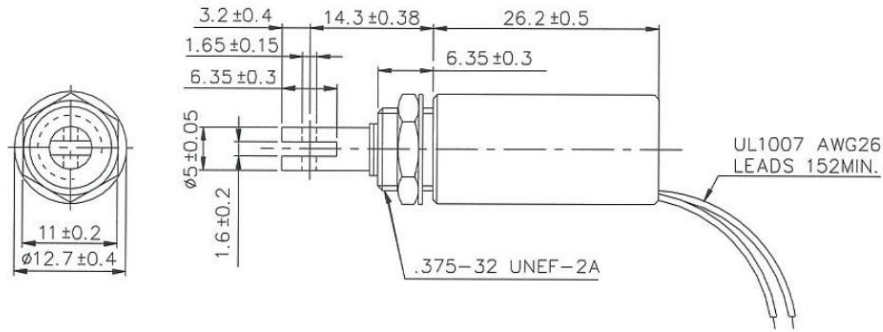
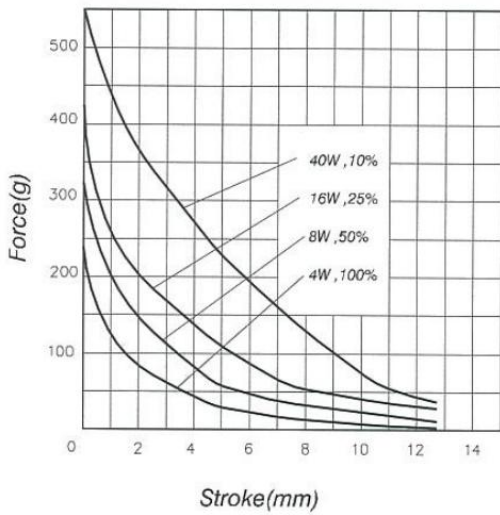


# SMT - 1325L

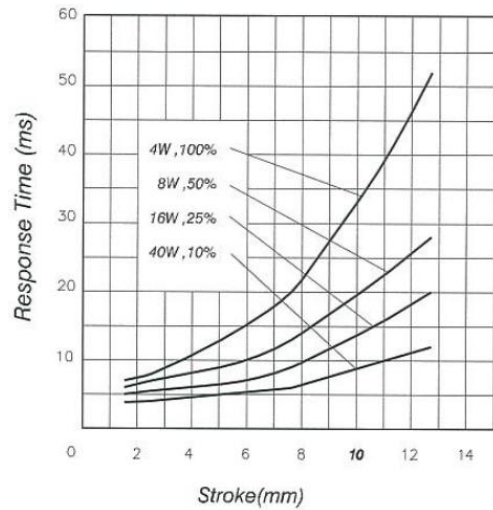
## Mechanical Drawing



## Stroke / Force Curve



## Stroke / Response Time Curve



## Stroke / Force Technical Data

Duty cycle (%) = $\frac{\text{"ON" time}}{\text{ON time} + \text{OFF time}} \times 100\%$		100%	50%	25%	10%
		Continuous	Intermittent		
MAX On time/S		$\infty$	50	5	2
Power@20°C		4	8	16	40
Type Number	Resistance (20°C) $\Omega \pm 10\%$	Volts DC (V)			
SMO-1325L-06AA	9	6	8.5	12	19
SMO-1325L-12AA	36	12	17	24	38
SMO-1325L-24AA	144	24	34	48	76
SMO-1325L-48AA	576	48	68	96	152