



520 Park East Blvd., New Albany, IN 47150 U.S.A  
(812)-944-6733 / 1-800-SAMTEC9

## Product Change Notification

1. **ECN #:** 237756

2. **Date of Announcement:** December 08, 2014

3. **Series:**

- RCU - RECTANGULAR CABLE USB

4. **Part #'s Affected**

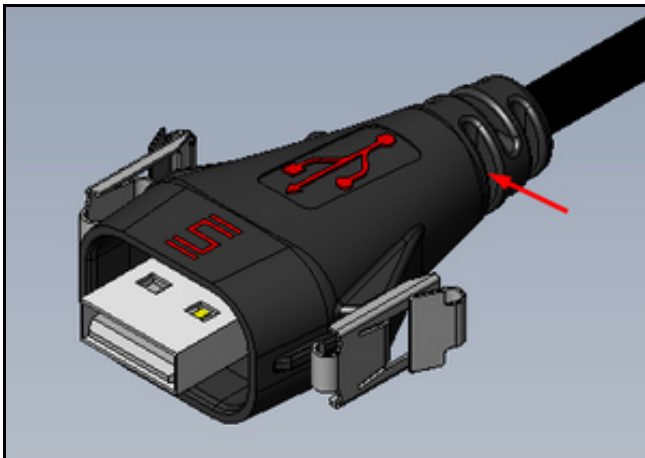
- RCU-X-XX.XX-XXX-XXX

5. **Description of Change:**

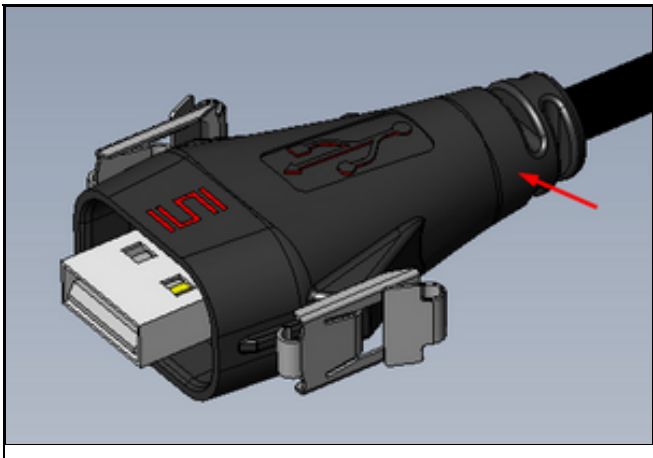
An internally molded component is being changed from PBT to PTC. We are also removing a void on the outside of the part.

6. **Method of Identifying Change**

Look for the removed void.



Product Before Change



Product after change; notice the missing void.

7. **Reason for Change:**

Both changes are to help improve the molding process

8. **Impact of Change on Form, Fit, or Function:**

- Form - The product will look different, but there is no change to the sealing ability of the cable nor the electrical performance.

9. **Projected Implementation Date:** January 05, 2015