



Schematic for the NCL30073LED4GEVB Evaluation Board

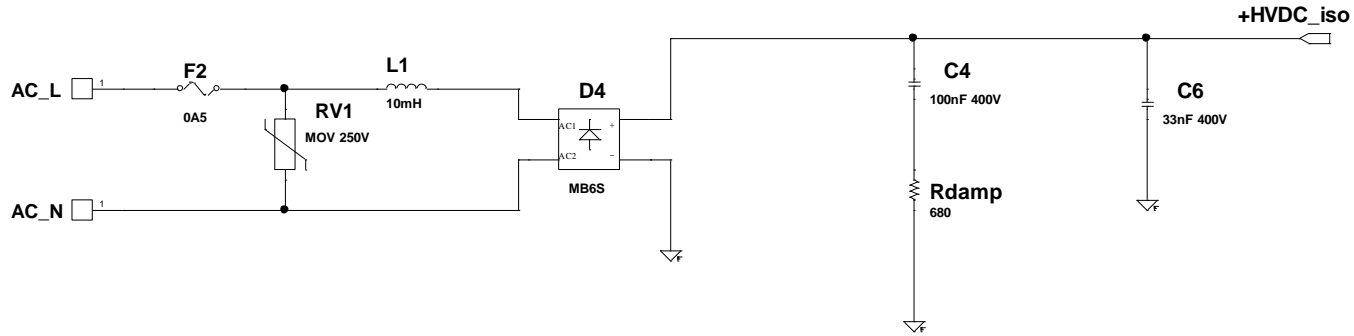


Figure 1. Input Circuit

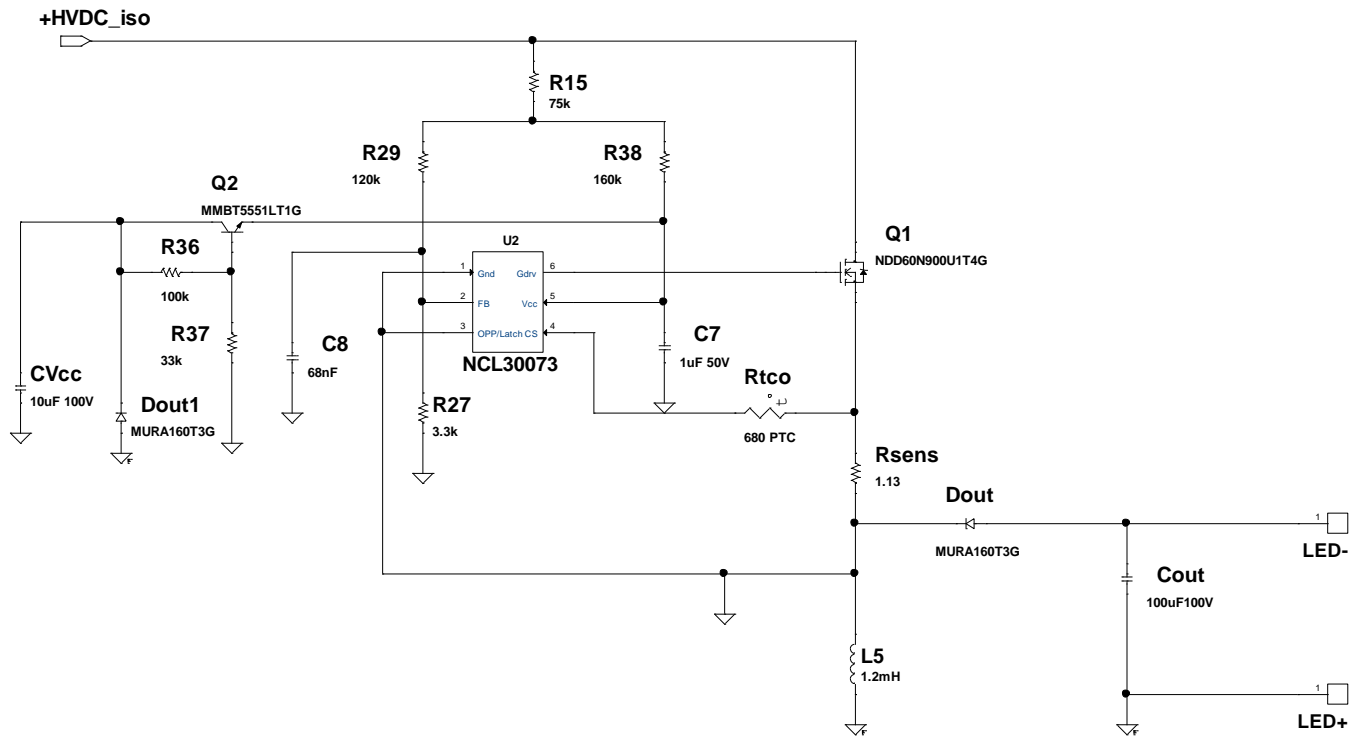


Figure 2. Main Schematic