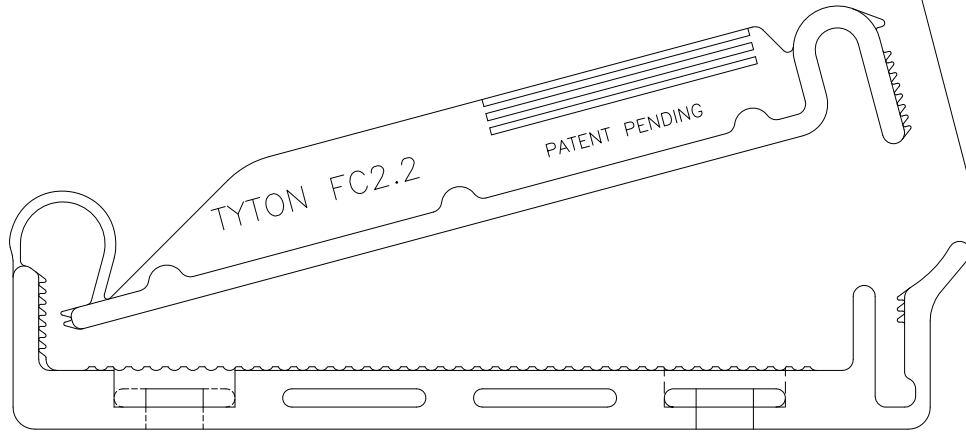
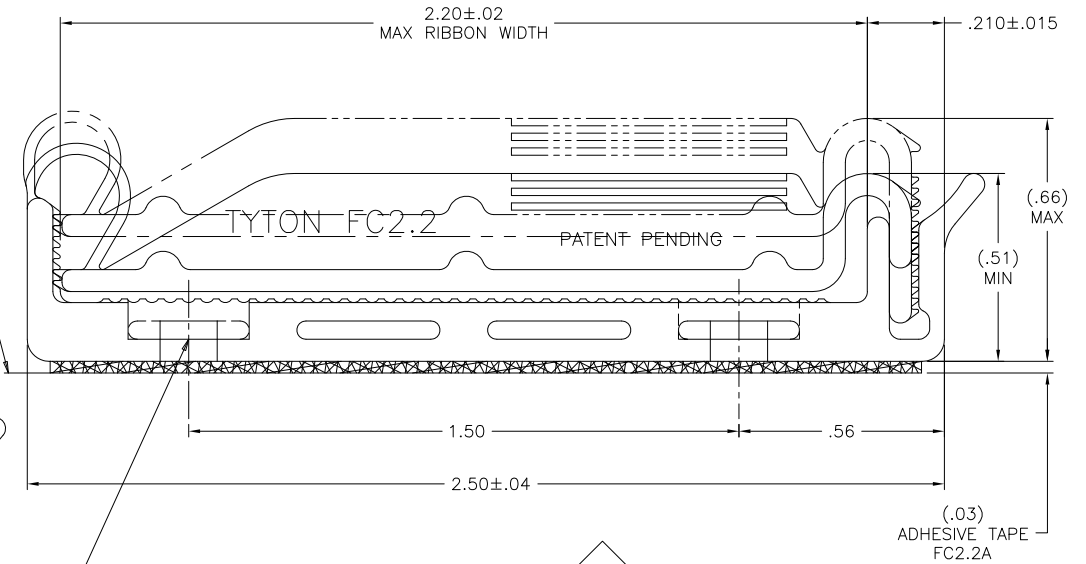


AS MOLDED
FULL SIZE

EXTENDED TAB ON
RELEASABLE LINER



AS MOLDED



SLOTTED FOR #6 MOUNTING SCREW

REDUCED
NO SCALE

CATALOG NUMBER	MOUNTING METHOD	CLAMP RANGE	
		MIN	MAX
FC2.2	#6 SCREW	.030	.180
FC2.2A	ADHESIVE TAPE		

HellermannTyton

ALL PROPRIETARY RIGHTS IN THE SUBJECT MATTER SHOWN ON THIS DRAWING ARE EXCLUSIVE PROPERTY OF HELLERMANNTYTON

name	date	city, state
X XXXXXX	XX/XX/XX	XXXXXXXX, WI

NOTES

1. WIRE CAPACITY = 1 TO 5 (28 AWG 7/36) FLAT RIBBON CABLES WITH UP TO 40 CONDUCTORS.

REVISED
level 02
date 05/18/10
by AAC
ECN # 011xxx
part level E

DIMENSIONS
TOLERANCES
.XXXX = ±.0005
.XXX = ±.005
.XX = ±.01
.X = ±.03
∠ = ± 0.5°
unless otherwise specified
units inches

number SEE CHART phase PRODUCTION
name FC2.2
ADJUSTABLE FLAT RIBBON CLAMP
material NYLON 6/6
NATURAL, GRAY, OR BLACK

DRAWING
name FC2.2
ADJUSTABLE FLAT RIBBON CLAMP
material NYLON 6/6
NATURAL, GRAY, OR BLACK
number CP3002003CST

FORMAT	version	CAD	ACAD	scale	4X
computer file number	CP\CST\3002003_02				
previous number					
date	07/05/95	date	05/18/10	approved	
type	CUSTOMER	sheet	1 of 1		