

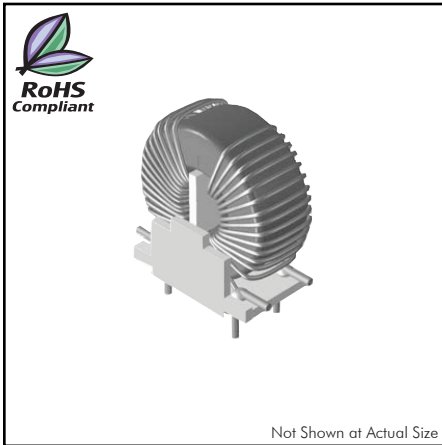
CTCMSF Series

From 0.275mH to 3.5mH

SPECIFICATIONS

* Self leaded

Part Number	Inductance Min. (mH)	Current Rating (Amp.)	Leakage Ind. Max. (µH)	DCR Max. (mΩ)	SRF Typ. (MHz)	Lead Dia. Nom. (mm)
CTCMS3213F-1	3.5	1.3	62	150	0.500	1.29
CTCMS3214F-1	1.7	2.0	32	65	0.850	1.29
CTCMS3215F-1	1.0	3.2	22	36	1.250	1.29
CTCMS3216F-1	0.750	5.0	19	22	1.300	1.29
CTCMS3217F-1	0.425	8.1	10	12	1.750	1.29
*CTCMS3218F-1	0.275	13.0	8	8	2.000	1.29



CHARACTERISTICS

Description: Standard inductance through-hole toroidal inductor

Applications: For use in linear power supply filters, power line filters, as well as the ability to suppress EMI in switch mode supplies

Operating Temperature: -40°C to +85°C

Testing: Tested on an HP4284A at 10kHz 0.25 Vrms

Electrical specification: @ 25°C

Header Material: Plastic - meets UL94V-0

Insulation Material: Rates 130°C minimum

Additional Information: Additional electrical & physical information available upon request.

Samples available. See website for ordering information.

PHYSICAL DIMENSIONS

