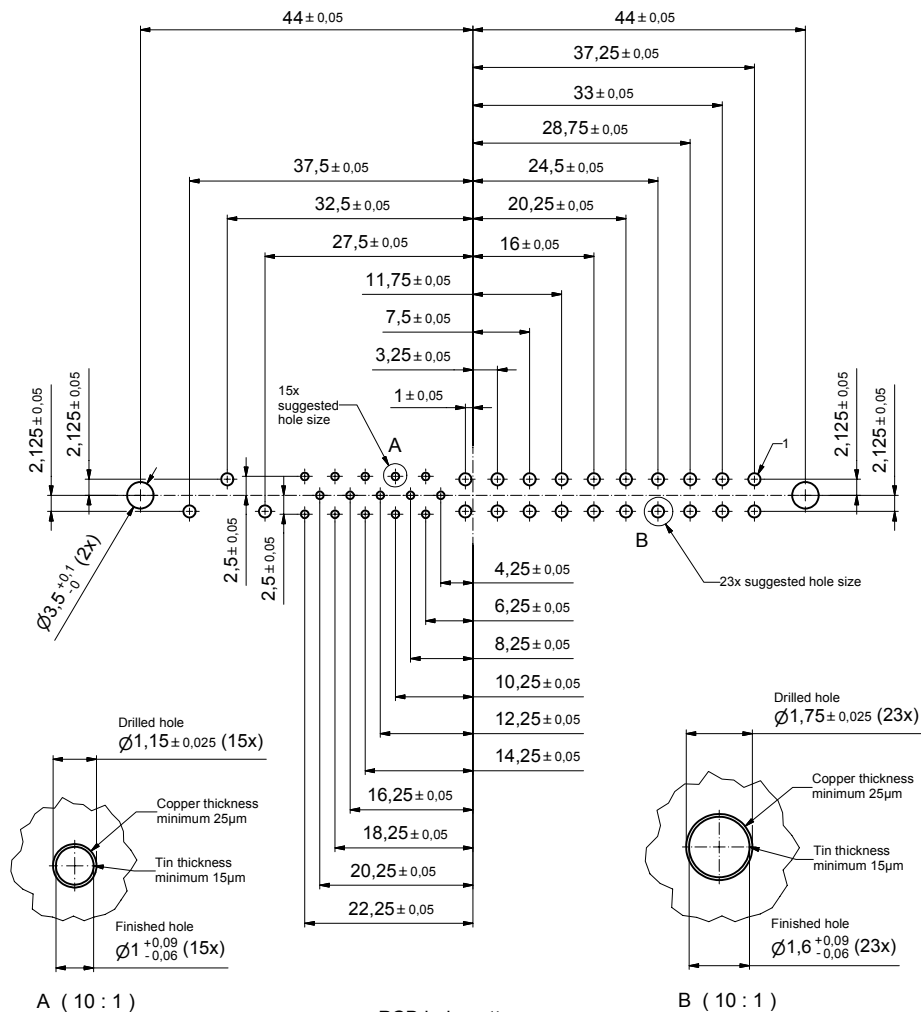


Ⓒ 5,25 ± 0,3  
Ⓓ 4,2 ± 0,3



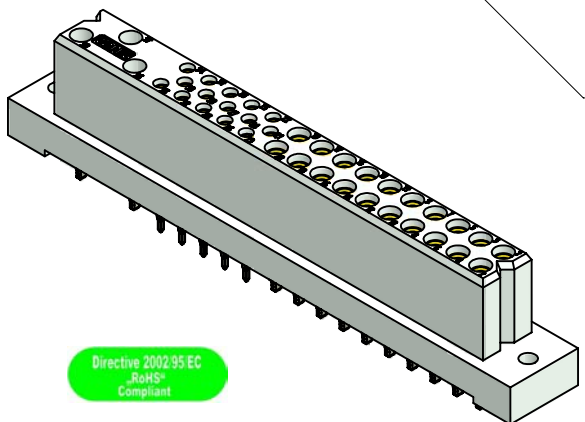
A (10 : 1)

PCB hole pattern

B (10 : 1)

NOTES:

- MATERIALS AND FINISHES:
  - INSULATOR: GLASS FILLED PLASTIC UL 94 V-0 RATED, GREY RAL 7035 Ⓓ
  - CONTACTS: COPPER ALLOY, PLATING: FLASH GOLD OVER NICKEL
- ELECTRICAL CHARACTERISTICS:
  - CREEPING AND CLEARANCE DISTANCE; MINIMUM:
    - CONTACT 38 TO CONTACT 37: 2,5 MM
    - CONTACT 38 TO CONTACT 36: 3,2 MM
    - CONTACT 37 TO CONTACT 36: 3,2 MM
    - CONTACT 38 TO SIGNAL CONTACTS: 6,4 MM
    - CONTACT 37 TO SIGNAL CONTACTS: 6,4 MM
    - CONTACT 36 TO SIGNAL CONTACTS: 2,0 MM
  - CONTACT CURRENT RATING:
    - POWER CONTACTS POS. 36-38: 40 AMPERES CONTINUOUS, ALL CONTACTS UNDER LOAD
    - POWER CONTACTS POS. 1-20: 28 AMPERES CONTINUOUS, ALL CONTACTS UNDER LOAD
    - SIGNAL CONTACTS: 5 AMPERES NOMINAL
  - INITIAL CONTACT RESISTANCE PER IEC 512-2, TEST 2b:
    - POWER CONTACTS: 0,0007 OHM MAX.
    - SIGNAL CONTACTS: 0,004 OHM MAX.
  - INSULATION RESISTANCE: 5 G OHM PER IEC 512-2, TEST 3a, METHOD A
- WORKING TEMPERATURE: -55°C TO +125°C
- PRESS-FIT PART OF CONTACTS ARE PATENT PROTECTED
- CONNECTOR IS PART MARKED: [PART\_NO.]\_CONEC\_[ABC]



Directive 2002/95/EC  
RoHS  
Compliant

15	Signal contact (Pos. 21-35)	5		
20	Power contact type 3 (Pos. 1-20)	4		
1	Power contact type 2 (Pos. 36)	3		
2	Power contact type 1 (Pos. 37-38)	2		
1	Case 38pos. female	1		
quantity	part description	item	dwg no. / norm	material
partlist				
finish: see notes		tolerance ISO 2768-m	scale: 2:1	material: see notes
date		name	title: SOCKET CONNECTOR 38pos.	
drawn 10.02.05		Mankopf	PRESS-FIT STRAIGHT	
appd. 10.02.05		Kühle	CompactPCI	
norm			dwg no:	[Inventor]
2 x d	A 2867 14.11.07 HS d-old			DIN-A2
1 x c	A 2207 18.04.05 Mkf.			sh: 1
1 x b	A 2168 21.02.05 Mkf.			
rev.	description	date	name	
		part no: CPH38W23FGE3SK9X Ⓒ		