

C2012NP01H153J085AA

TDK Item Description : C2012NP01H153J****

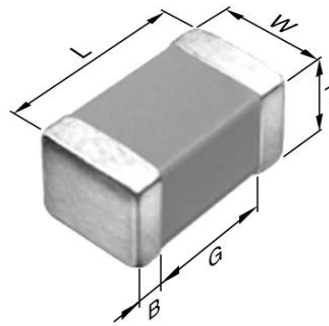


Application & Main Feature

Commercial Grade (High Temperature Application)

Series

C2012 [EIA 0805]



Dimensions

L	2.00mm ±0.20mm
W	1.25mm ±0.20mm
T	0.85mm ±0.15mm
B	0.20mm Min.
G	0.50mm Min.

Temperature Characteristic

NP0 (-55 to 150 degC 0+/-30ppm/degC)

Rated Voltage

1H(50Vdc)

Capacitance

15nF

Capacitance Tolerance

J (±5%)

Q Factor

1000 Min.

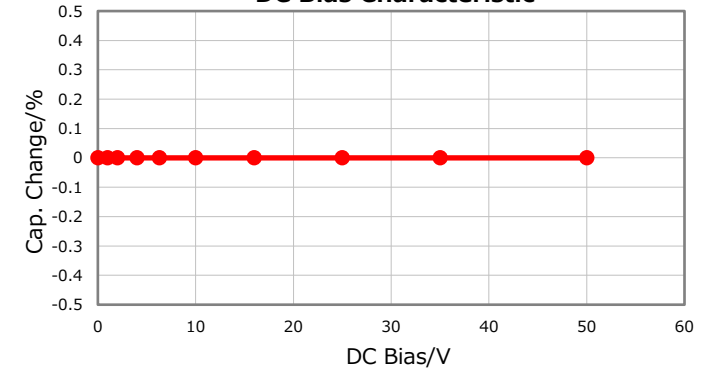
Insulation Resistance

10Gohm Min

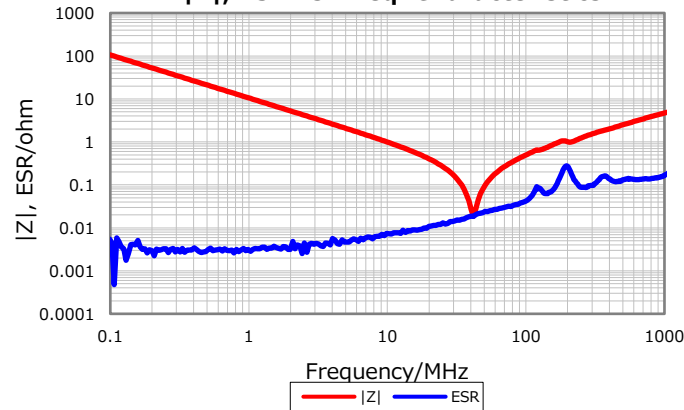
AEC-Q200

Not Applicable

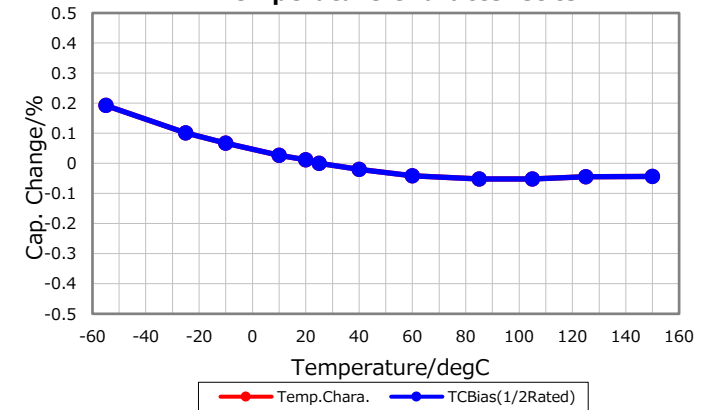
DC Bias Characteristic



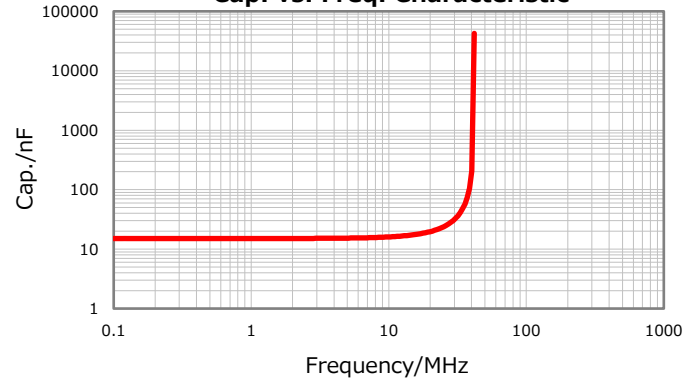
|Z|, ESR vs. Freq. Characteristics



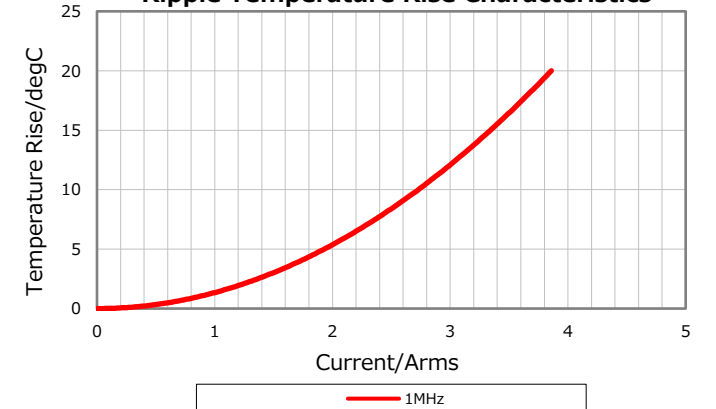
Temperature Characteristics



Cap. vs. Freq. Characteristic



Ripple Temperature Rise Characteristics



Characterization Sheet (Multilayer Ceramic Chip Capacitors)



All specifications are subject to change without notice.