



## Table of Contents

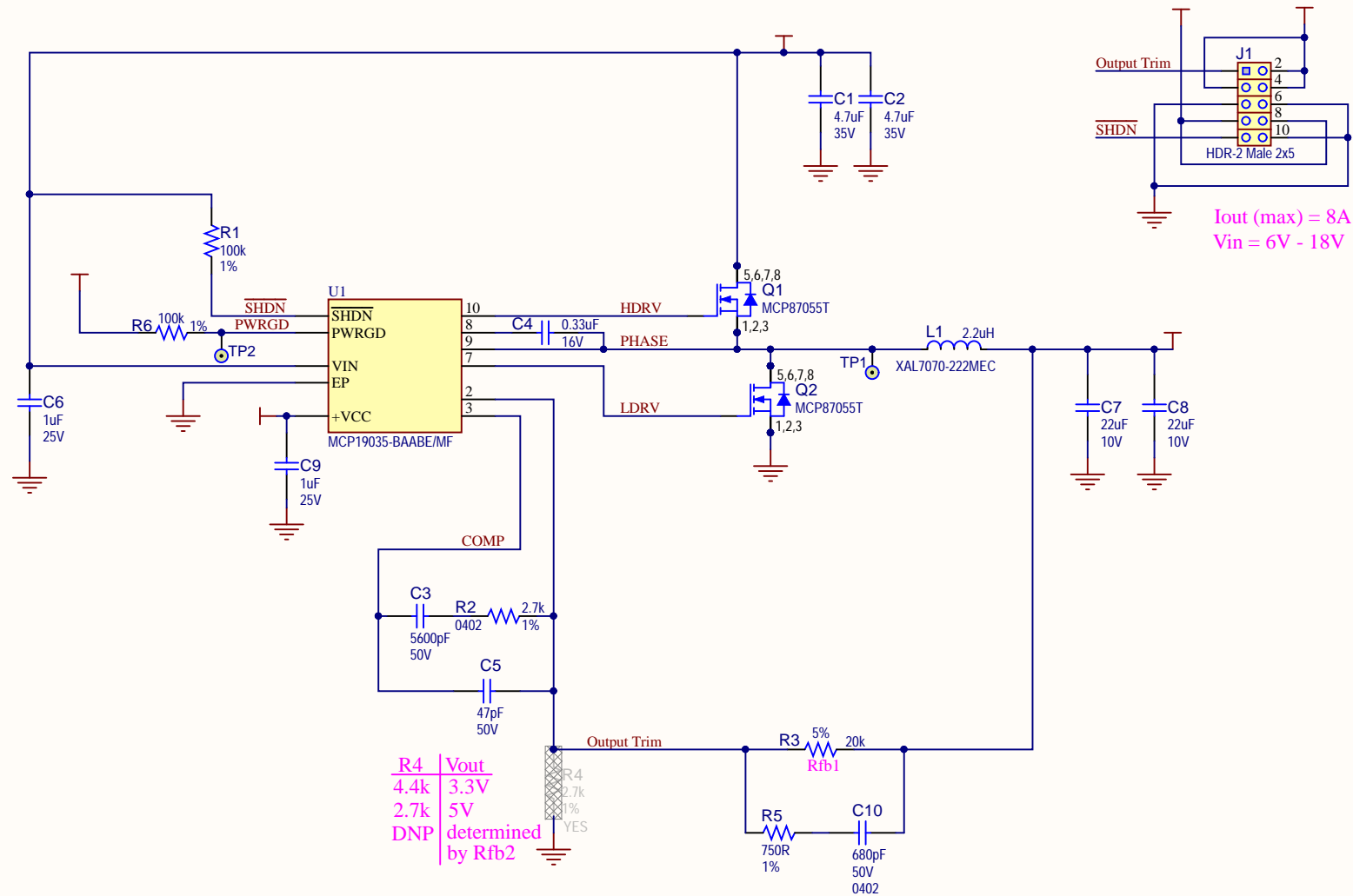
Sheet	Description
1	TOC
2	MCP19035

## Revision History

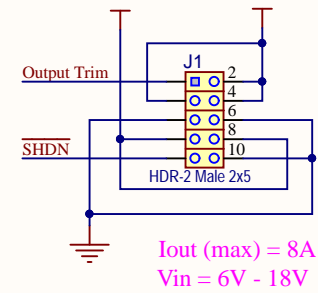
Revision	Date	Revision Summary	Author
00B	20180125	Initial release	Jennifer Hancock
B	20180129	Final release (includes feedback requests from schematic review)	Jennifer Hancock
C	20180625	Changed 1x5 header to 2x5, changed Vin caps to 4.7F and Vout caps to 22uF (1206) and VCC cap to 1uF.	Jennifer Hancock

Drawn By: Jennifer Hancock		
Engineer: Jennifer Hancock		
PartNumber: ADM00987	Project Title <b>MCP19035 Power Module 8A Evaluation Board</b>	
Sheet Title MCP19035 PM8 module_TOC		 <small>Designed with</small> <small>Altium.com</small>
Size B	Sch #:03-10880	Date: 8/23/2018 3:15:23 PM
	Revision: 1	Sheet 1 of 2
File: MCP19035 PM8 module_TOC.SchDoc		

REV	ECO#	DESCRIPTION	DATE



R4	Vout
4.4k	3.3V
2.7k	5V
DNP	determined by Rfb2



Output Trim  
External Trim Resistor  
Rfb2

$$R_{fb2} = \frac{V_{ref} \times R_{fb1}}{V_{out} - V_{ref}} = \frac{12k}{V_{out} - 0.6V}$$

Iout (max) = 8A  
Vin = 6V - 18V

Drawn By: Jennifer Hancock		
Engineer: Jennifer Hancock		
PartNumber: ADM00987	Project Title <b>MCP19035 Power Module 8A Evaluation Board</b>	
Sheet Title MCP19035 PM8 module_REG		<i>Designed with</i> <b>Altium</b>
Size B	Sch #:03-10880	Date: 8/23/2018 3:15:24 PM
	Revision: 1	Sheet 2 of 2
File: MCP19035 PM8 module_REG.SchDoc		