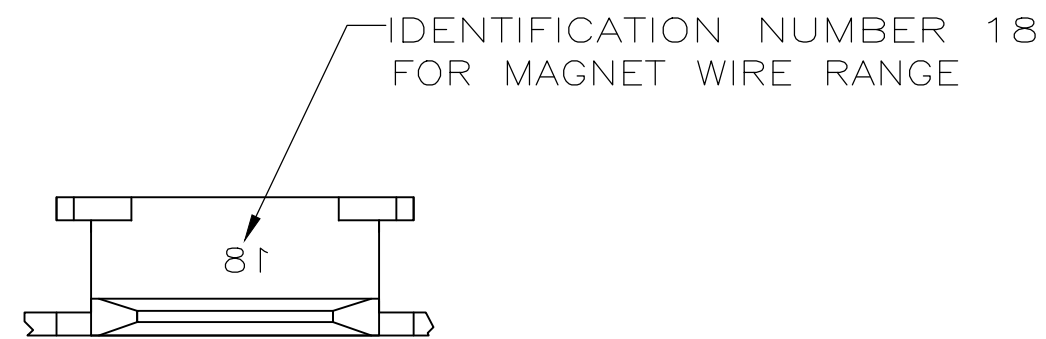
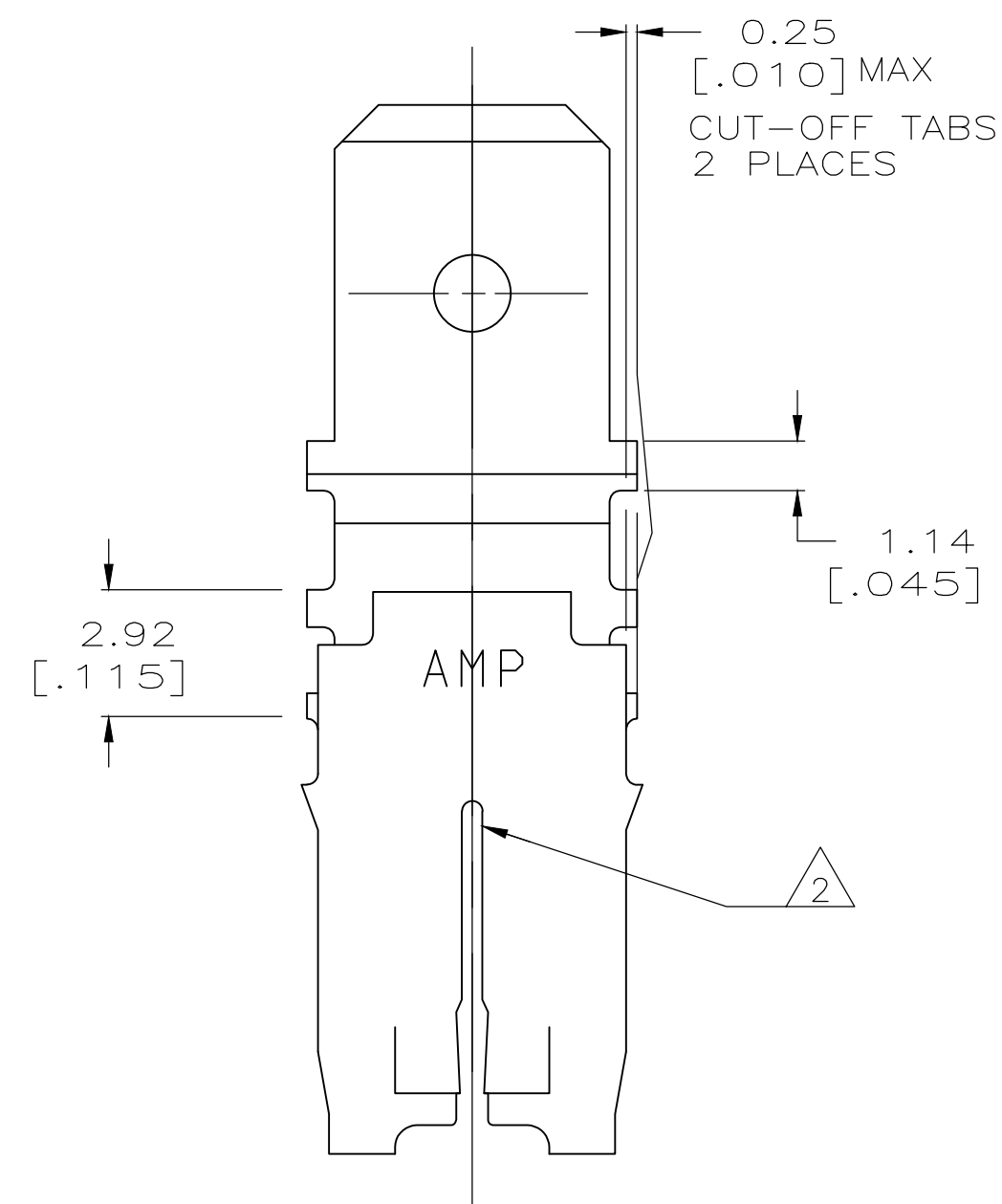
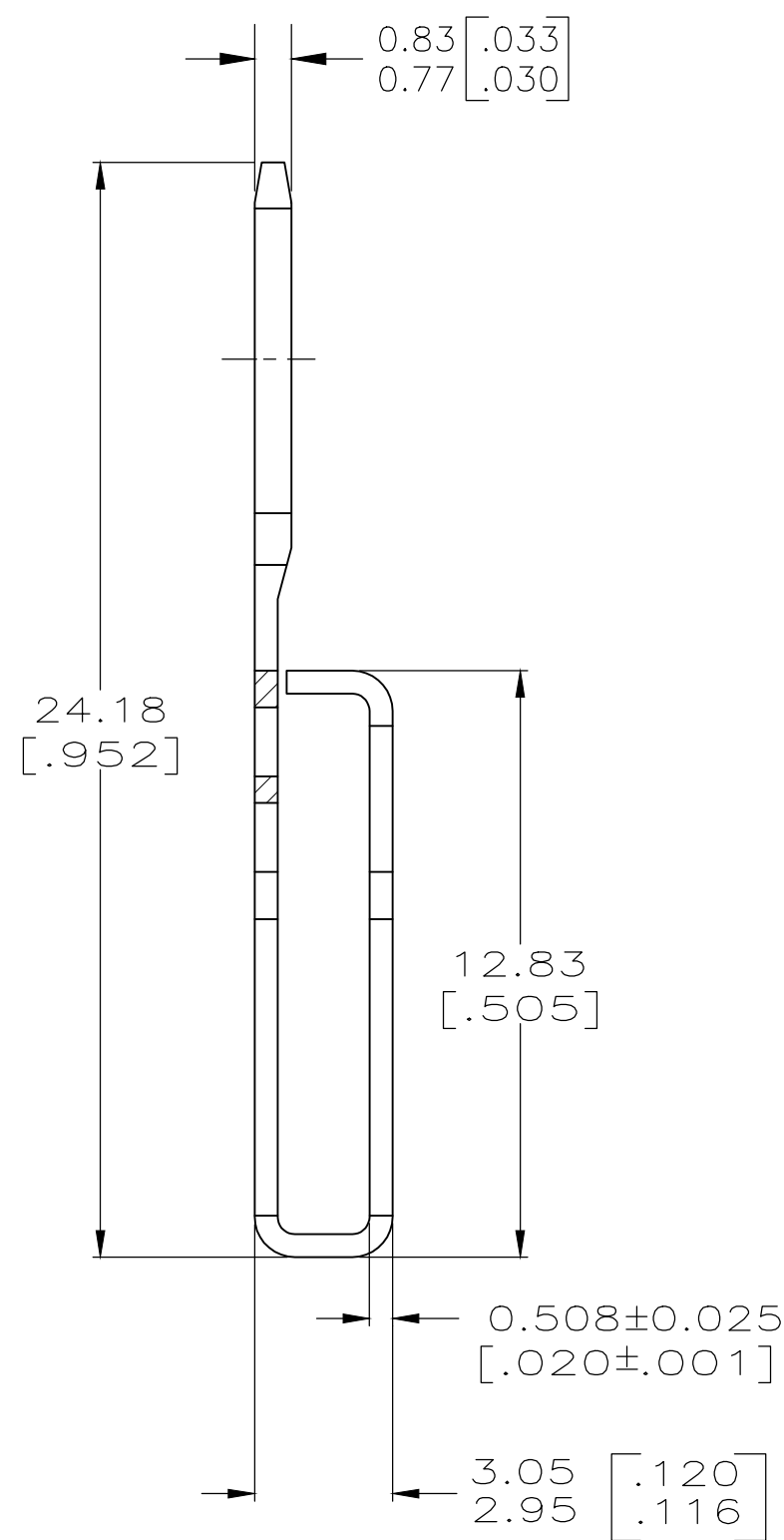
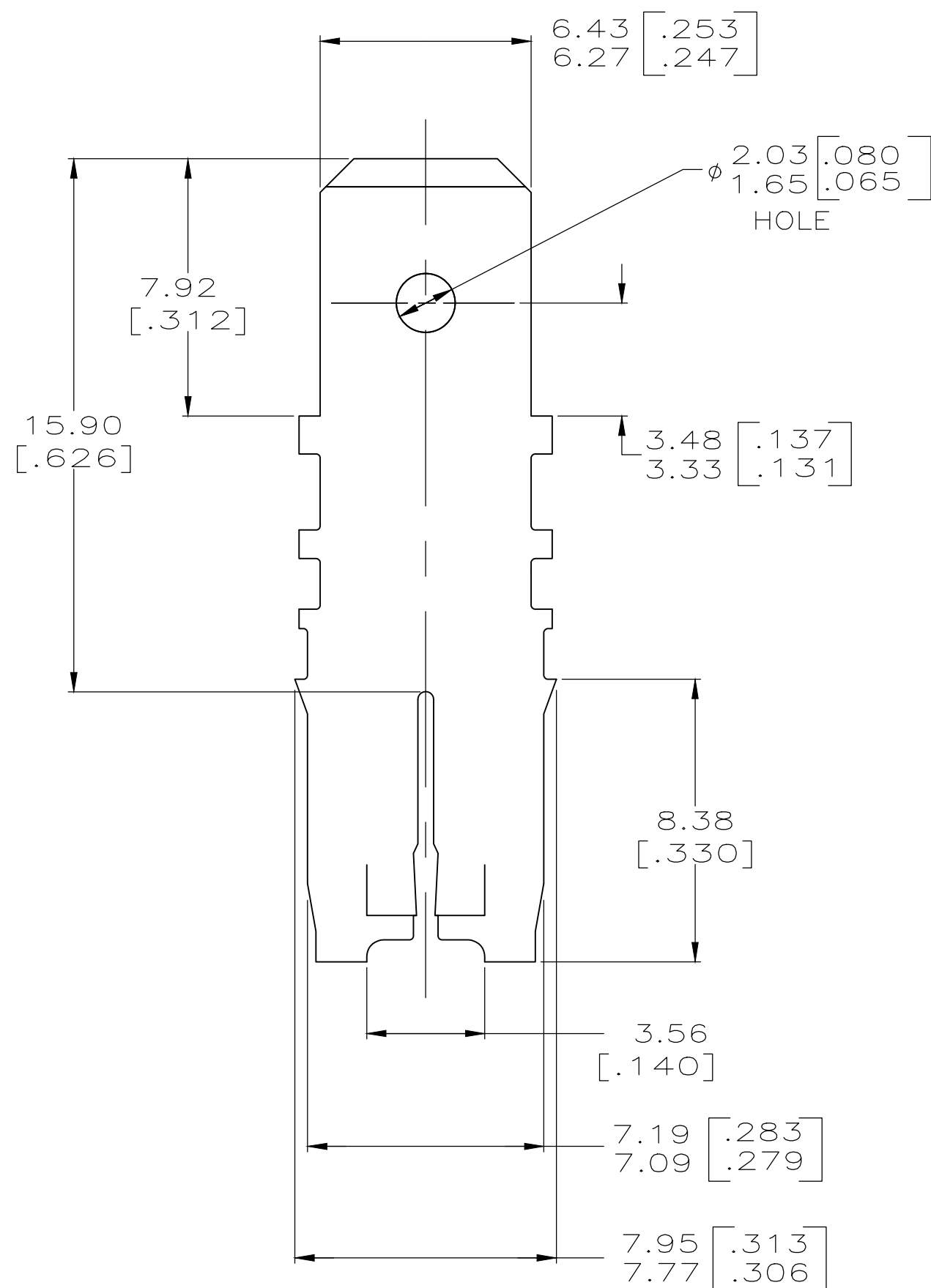


THIS DRAWING IS UNPUBLISHED. RELEASED FOR PUBLICATION
 © COPYRIGHT - By - ALL RIGHTS RESERVED.

LOC	DIST	REVISIONS			
P	LTR	DESCRIPTION	DATE	DWN	APVD
AF	50				
	C2	REVISED PER ECR-19-003212	05MAR2019	BDA	JH



- 1 VARNISH RESIST OVER TIN PER MIL-T-10727.
- 2 SLOT ACCEPTS 0.64-0.81mm[#22-#20]AWG COPPER MAGNET WIRE OR 0.72-0.91mm[#21-#19]AWG AL MAGNET WIRE. 2 WIRES OF THE SAME SIZE MAX PER SLOT.
- 3 AFTER INSERTION INTO PLASTIC HOLDER MAG-MATE MUST BE POTTED-IN TO PREVENT PULL-OUT WHEN MATING RECEPTACLE IS DISCONNECTED.



63882-1
PART NO

THIS DRAWING IS A CONTROLLED DOCUMENT.		DWN R.GRZYBOWSKI 24/OCT/95	TE TE Connectivity		
DIMENSIONS: INCHES		CHK MS FEHER 24/OCT/95			
TOLERANCES UNLESS OTHERWISE SPECIFIED:		APVD N NEFF 24/OCT/95	NAME TAB, LOOSE PIECE, 6.35 [.250] FASTON, [™] MAG-MATE [™]		
0 PLC ± - 1 PLC ± - 2 PLC ± 0.25 [.010] 3 PLC ± - 4 PLC ± - ANGLES ± -		PRODUCT SPEC 108-2053	SIZE A2	CAGE CODE 00779	DRAWING NO C-63882
MATERIAL BRASS	FINISH 1	APPLICATION SPEC 114-2066	WEIGHT	SCALE 6:1	SHEET 1 of 1
CUSTOMER DRAWING			REV C2	RESTRICTED TO -	