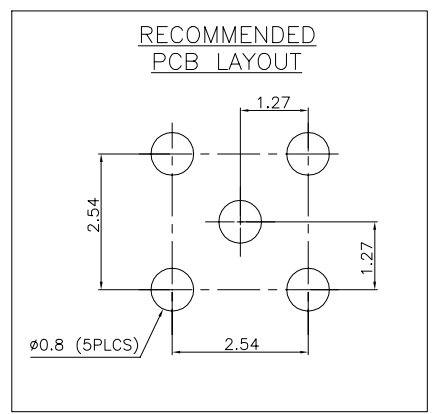
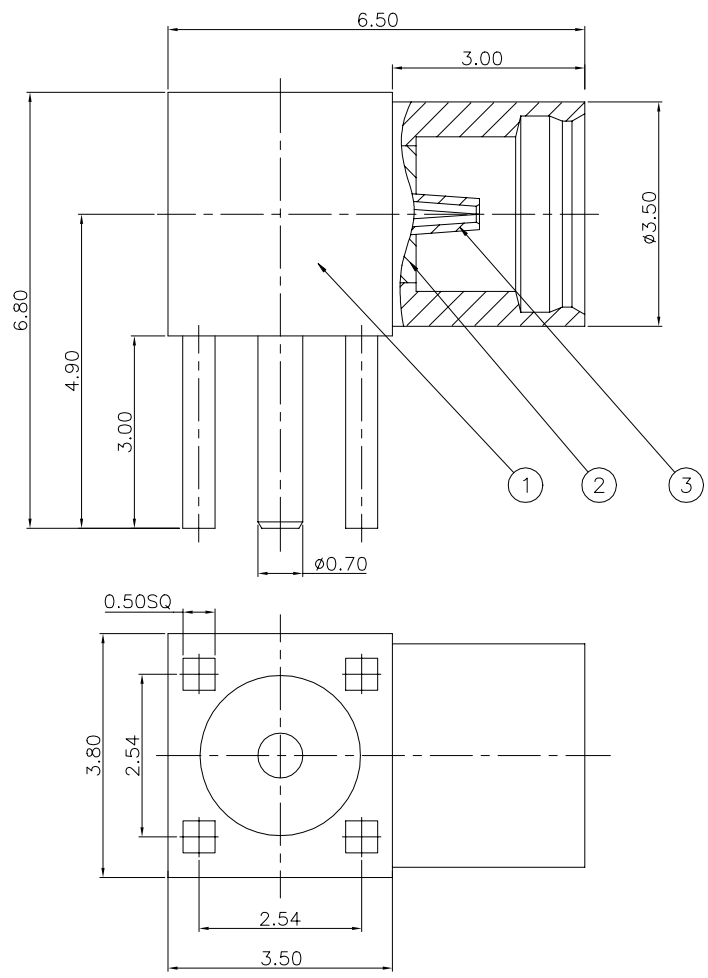


THIS DRAWING IS UNPUBLISHED. RELEASED FOR PUBLICATION NOV .2003.  
 © COPYRIGHT 2003 By - ALL RIGHTS RESERVED.

REVISIONS					
P	LTR	DESCRIPTION	DATE	DWN	APVD
E2		REVISED PER ECR-20-009280	30JUN2020	RZ	RS

- NOTES:
- 1 SINGLE PACK IN ACCORDANCE WITH AMP SPEC 107-3275
  - 2 100 TRAY PACK IN ACCORDANCE WITH AMP SPEC 107-3275
  - 3 Au0.05um PLATING OVER Ni1.27um PLATING OVER Cu1um PLATING
  - 4 Au0.8um PLATING OVER Ni2.5um PLATING OVER Cu1um PLATING
  - 5 Au0.08um PLATING OVER Ni2.5um PLATING OVER Cu1um PLATING
  - 6. FOR TECHNICAL DATA REFER TO YOUR LOCAL TE CONNECTIVITY SALES OFFICE
  - 7. ALL DIMENSIONS ARE NOMINAL FOR REFERENCE ONLY UNLESS OTHERWISE STATED



QTY	PLC	TRAY	TRAY	MATERIAL	DESCRIPTION	ITEM
-	1	1	-	BERYLLIUM COPPER	SOCKET	3
1	-	-	1	BERYLLIUM COPPER	SOCKET	3
2	2	2	2	PTFE	INSULATOR	2
-	1	1	-	BRASS	BODY	1
1	-	-	1	BRASS	BODY	1
6--0	3--0	2--0	1--0			

ELECTRICAL	MECHANICAL	ENVIRONMENTAL
Impedance (Ohm) <u>50</u> Frequency Range (GHz) <u>DC to 6GHz</u> Voltage Rating (Peak) <u>170 V RMS</u> Insulation Resistance (MIN.) <u>1000 M ohms</u> Contact Resistance (Milliohms MAX) Center Contact <u>5.0</u> Outer Contact <u>2.5</u> Dielectric Withstand Voltage: <u>500 V RMS Max</u> Insertion Loss : <u>N/A</u> dB VSWR: <u>1.35 MAXI</u> (GHz) RF leakage: <u>N/A</u> 3rd Intermodulation: <u>N/A</u>	Interface Dimension CECC 22 000 Force to Engage and Disengage (N) Engage: <u>18 MAXI</u> Disengage: <u>6 MINI</u> Center Contact Captivation Axial (N) <u>6.0</u> Radial (In/Oz) <u>N/A</u> Cable Retention Axial (Lbs) <u>N/A</u> Mating cycles <u>500</u> cycles	TEMPERATURE RANGE <u>-55 TO + 125</u> THERMAL SHOCK <u>MIL-STD-202, METHOD107, B</u> CORROSION <u>MIL-STD-202, METHOD101, B</u> VIBRATION <u>MIL-STD-202, METHOD204, B</u> MOISTURE RESISTANCE <u>MIL-STD-202, METHOD106</u> ROHS <u>COMPLIANT</u>

THIS DRAWING IS A CONTROLLED DOCUMENT.		DWN J.SANDWELL 12NOV03
DIMENSIONS: mm		CHK S.PARLOW 12NOV03
TOLERANCES UNLESS OTHERWISE SPECIFIED: 0 PLC ± - 1 PLC ± - 2 PLC ± 0.15 3 PLC ± - 4 PLC ± - ANGLES ± -		APVD F.WHEELER-KING 12NOV03
MATERIAL SEE TABLE	FINISH SEE TABLE	PRODUCT SPEC 108-2084
		APPLICATION SPEC
		WEIGHT 0
CUSTOMER DRAWING		

<b>STE</b> TE Connectivity			
NAME MMCX RIGHT ANGLE PCB MOUNT SOCKET RECEPTACLE 50 OHMS			
SIZE A3	CAGE CODE 00779	DRAWING NO C-1634010	RESTRICTED TO -
SCALE NTS		SHEET 1 of 1	REV E2