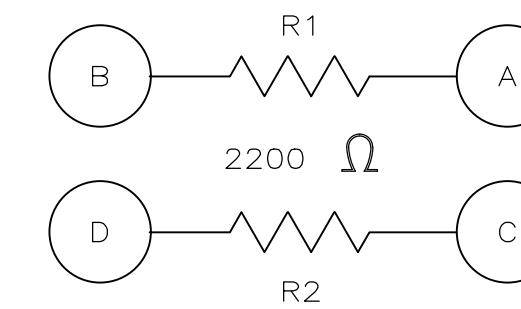
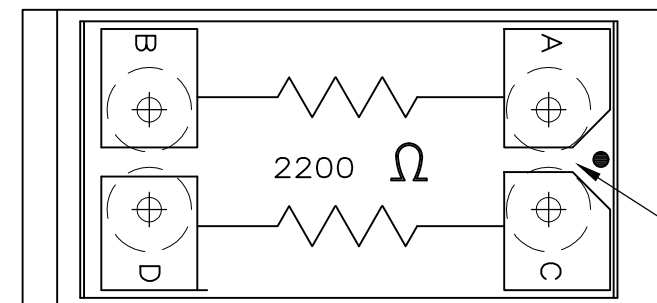
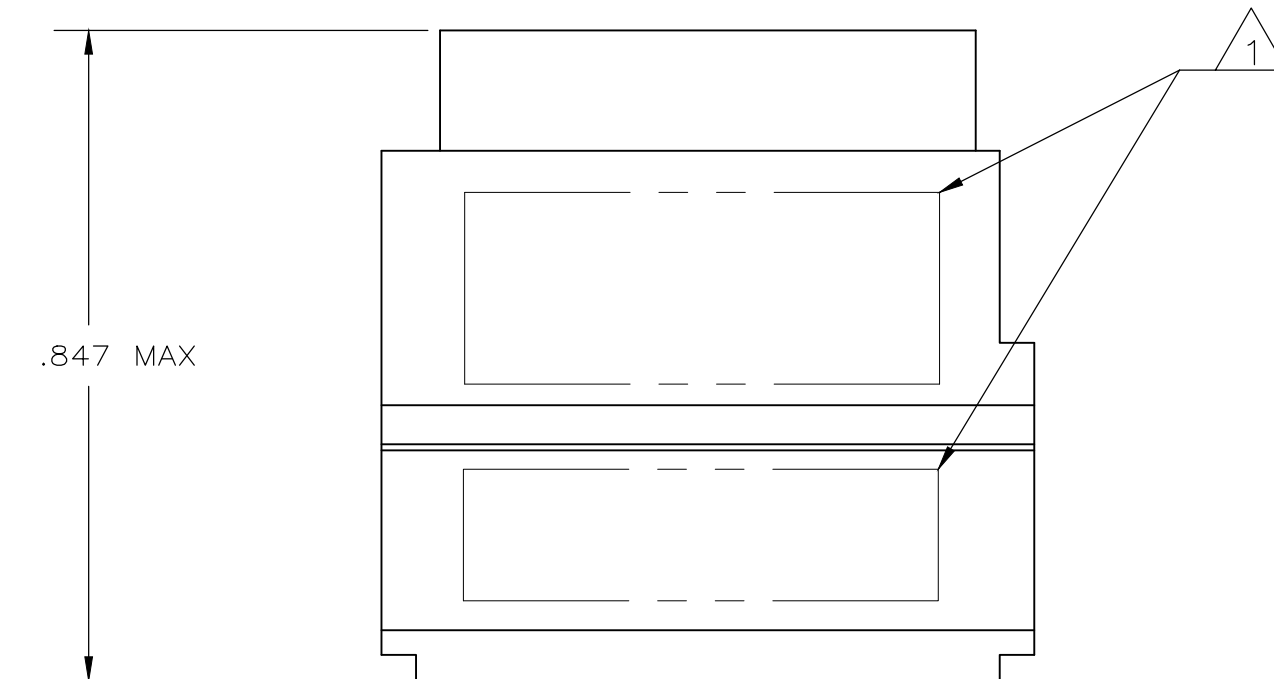
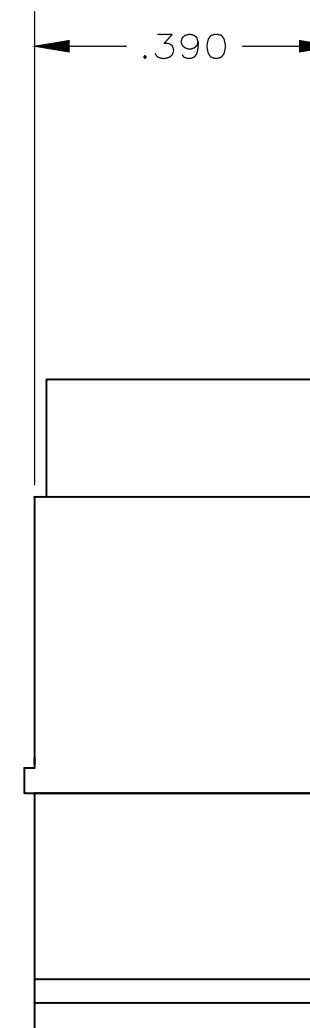


THIS DRAWING IS UNPUBLISHED.		RELEASED FOR PUBLICATION	
© COPYRIGHT - By -		ALL RIGHTS RESERVED.	
DESCRIPTION	MATERIAL	FINISH	
MODULE ASSEMBLY	D.A.P. PER MIL-M14 TYPE SDG-F	COLOR: GREEN	
GROMMET	FLOURSILICONE RUBBER 70/30 BLEND	COLOR: GREEN	
CONTACT SOCKET	BERYLLIUM COPPER ASTM-B194	GOLD PLATE PER MIL-G-45204	
RETAINING CLIP	BERYLLIUM COPPER ASTM-B194 OR STAINLESS STEEL PER QQ-S-766	NONE	
RESISTOR	RLR07C2201JS	NONE	
SEALING PLUGS QTY 2	F.E.P. PER MIL-P-19468	COLOR: RED	
PIN CONTACT QTY = 4 P/N M39029/1-101	COPPER ALLOY PER MIL-C-39029	GOLD PLATE PER MIL-G-45204	

REVISIONS					
P	LTR	DESCRIPTION	DATE	DWN	APVD
F		REVISED PER ECO 20-001680	2-7-20	CT	VR



SCHEMATIC DIAGRAM  
(2) 2200 OHM, 1/4 WATT, ±5%  
RLR07C2201JS



1 MARK MODULE ASSEMBLY WITH "TE", TE PART NO., AND DATE CODE .060 MIN HIGH.

591871-1  
PART NO.

THIS DRAWING IS A CONTROLLED DOCUMENT.		DWN 16AUG99	TE Connectivity		
DIMENSIONS: INCHES		CHK D.MILLER 8-20-99			
TOLERANCES UNLESS OTHERWISE SPECIFIED:		APVD D.MILLER 8-20-99	NAME		
0 PLC ± -		PRODUCT SPEC	MODULE FEED-BACK ASSEMBLY		
1 PLC ± -		APPLICATION SPEC	SIZE 20 TJ WITH		
2 PLC ± -			TWO RCR07G222JS RESISTORS		
3 PLC ± .005			SIZE	CAGE CODE	DRAWING NO
4 PLC ± -			A2	00779	C=591871
ANGLES ± -			RESTRICTED TO		
MATERIAL SEE TABLE	FINISH SEE TABLE	WEIGHT 0.000000	CUSTOMER DRAWING		
		SCALE 4:1	SHEET 1 of 1	REV F	