

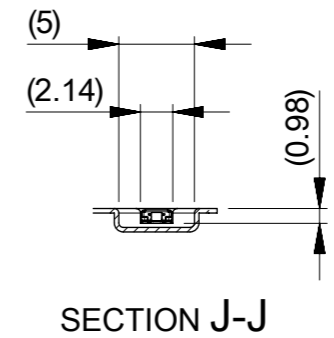
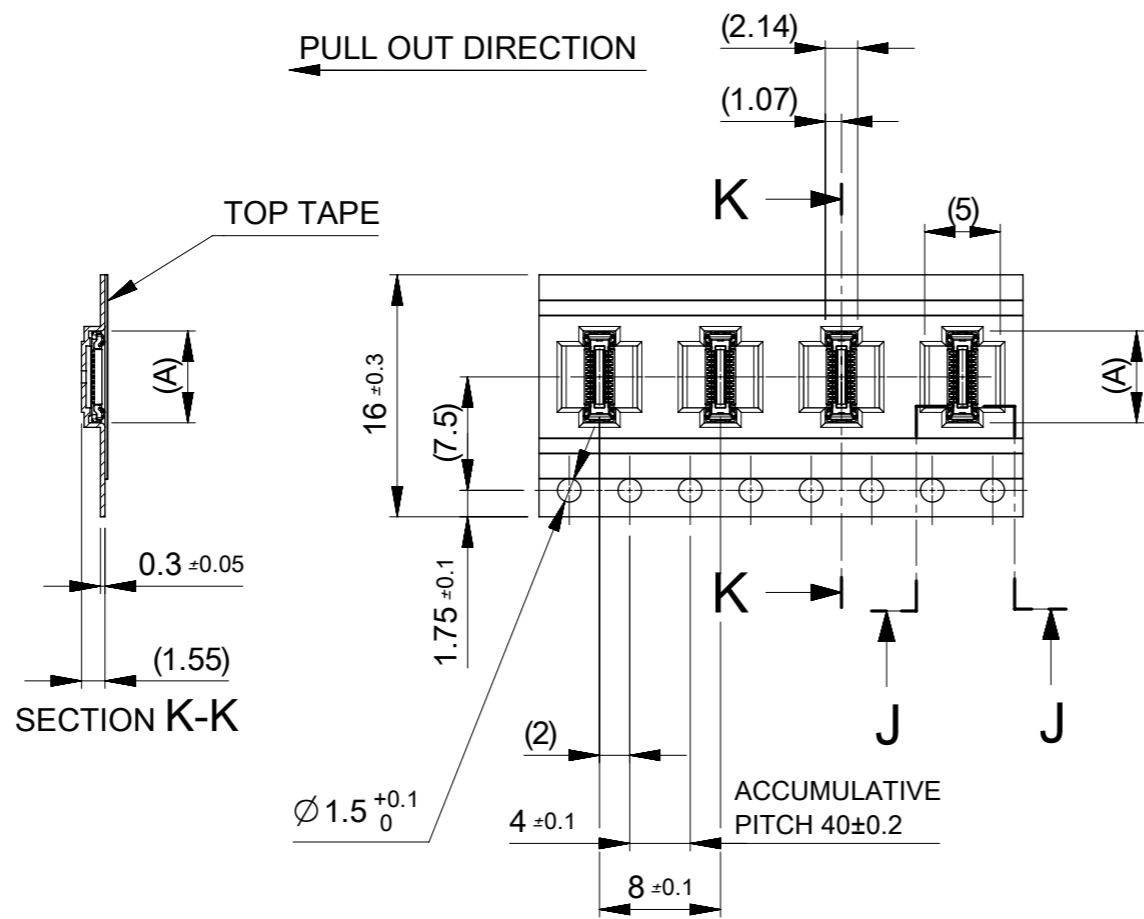
NOTES

1. RE DETAILED DIMENSION, SEE PRODUCT DRAWING.
 2. NUMBER OF CONNECTORS : SEE CHART
 3. LEAD TAPE LENGTH
-
- PULL OUT DIRECTION
- 100 MIN. TOP TAPE BONDED PART (EMPTY)
- 400 MIN. COMPONENT SUPPLIER
- 160 MIN. TAIL PART (EMPTY)
4. TOP TAPE PEEL FORCE IS DEFINED BY IEC60286-3.
 5. MATERIAL
CARRIER TAPE : POLYSTYRENE
TOP TAPE : PET , OTHER
REEL : POLYSTYRENE (PS) < RECYCLE MATERIAL CONTAINED >
 6. ELV AND RoHS COMPLIANT

$\phi 380$	7000	10 ~ 70
		6
(D)	NUMBER OF CONNECTORS [PCS/REEL]	CIRCUIT

MODEL NO. 505413**10

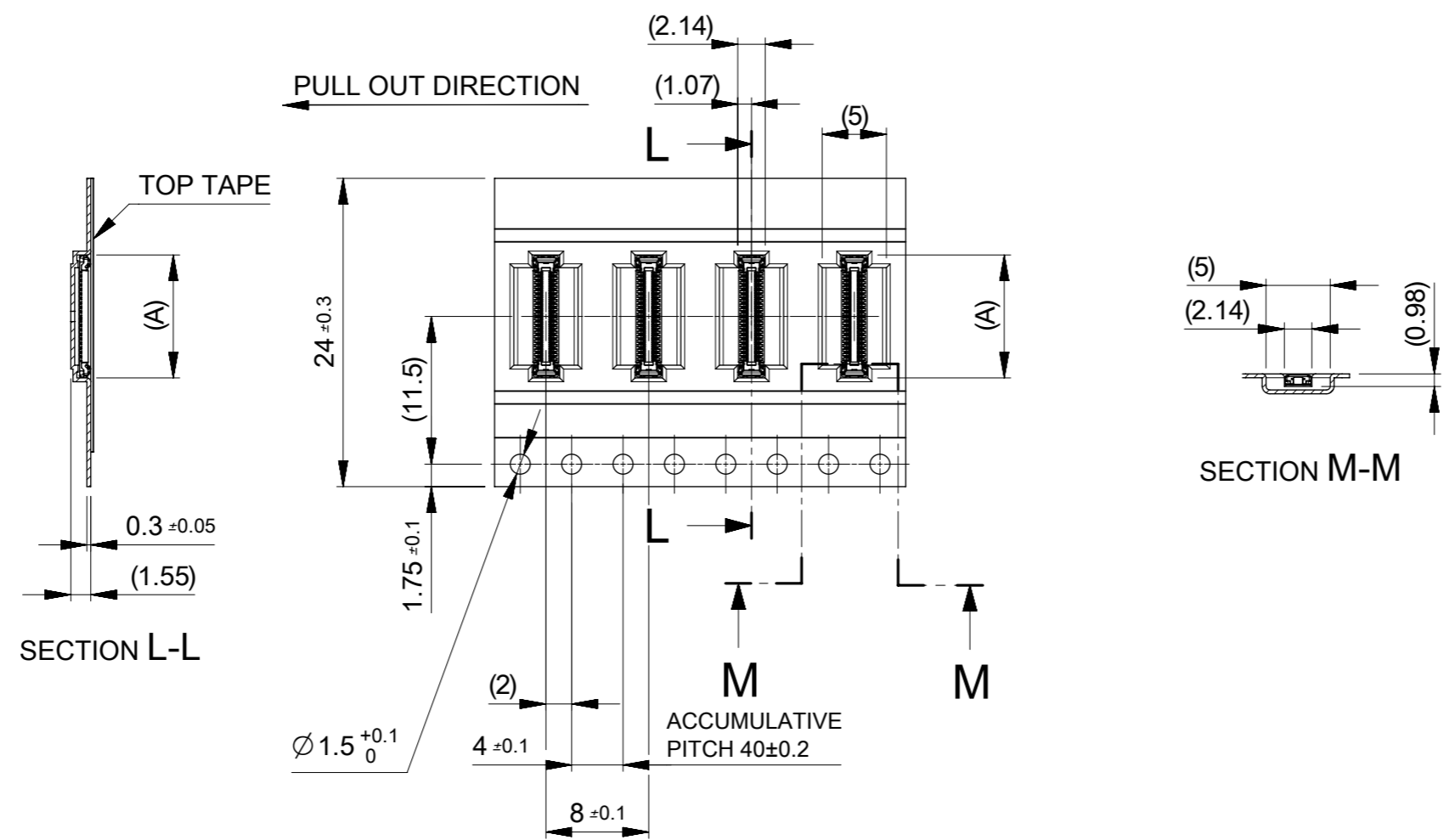
THIS DRAWING CONTAINS INFORMATION THAT IS PROPRIETARY TO MOLEX ELECTRONIC TECHNOLOGIES, LLC AND SHOULD NOT BE USED WITHOUT WRITTEN PERMISSION									
DIMENSION UNITS	SCALE	CURRENT REV DESC: REVISED							
mm	1:1	<div style="text-align: center;">molex</div> <p>0.35 BB H=1.0 SSB10RP REC EMBSTP PKG</p> <p>PRODUCT CUSTOMER DRAWING</p>							
GENERAL TOLERANCES (UNLESS SPECIFIED)									
ANGULAR TOL	$\pm 3.0^\circ$								
4 PLACES	± 0.03								
3 PLACES	± 0.03								
2 PLACES	± 0.05	EC NO: 612114	2019/02/13		DOCUMENT NUMBER				
1 PLACE	± 0.1	DRWN: ABABU01	2019/02/15		5054130000				
0 PLACES	± 0.2	CHK'D: MSASAO	2019/02/18		DOC TYPE	DOC PART	REVISION	G1	
DRAFT WHERE APPLICABLE MUST REMAIN WITHIN DIMENSIONS		THIRD ANGLE PROJECTION		DRAWING	SERIES	MATERIAL NUMBER	CUSTOMER	SHEET NUMBER	
				A3-SIZE	505413	SEE CHART	GENERAL	1 OF 4	



16	21.4	17.4	7.82	5054133010	○	---	30
			6.77	5054132410	---	---	24
			6.42	5054132210	---	---	22
			6.07	5054132010	---	---	20
			5.72	5054131810	---	---	18
			5.37	5054131610	---	---	16
			5.02	5054131410	---	---	14
			4.67	5054131210	---	---	12
			4.32	5054131010	---	---	10
3.62	5054130610	○	---	6			
キャリアテープ幅 CARRIER TAPE WIDTH	C	B	(A)	EMBOSSED TAPE PACKAGE	HIGH VOL. TOOL	LOW VOL. TOOL	CIRCUIT
ORDER NO.	SAMPLE PREPARATION ○:TOOLED △:WORK IN PROCESS ---:TOOLING TO BE CONFIRMED						

THIS DRAWING CONTAINS INFORMATION THAT IS PROPRIETARY TO MOLEX ELECTRONIC TECHNOLOGIES, LLC AND SHOULD NOT BE USED WITHOUT WRITTEN PERMISSION

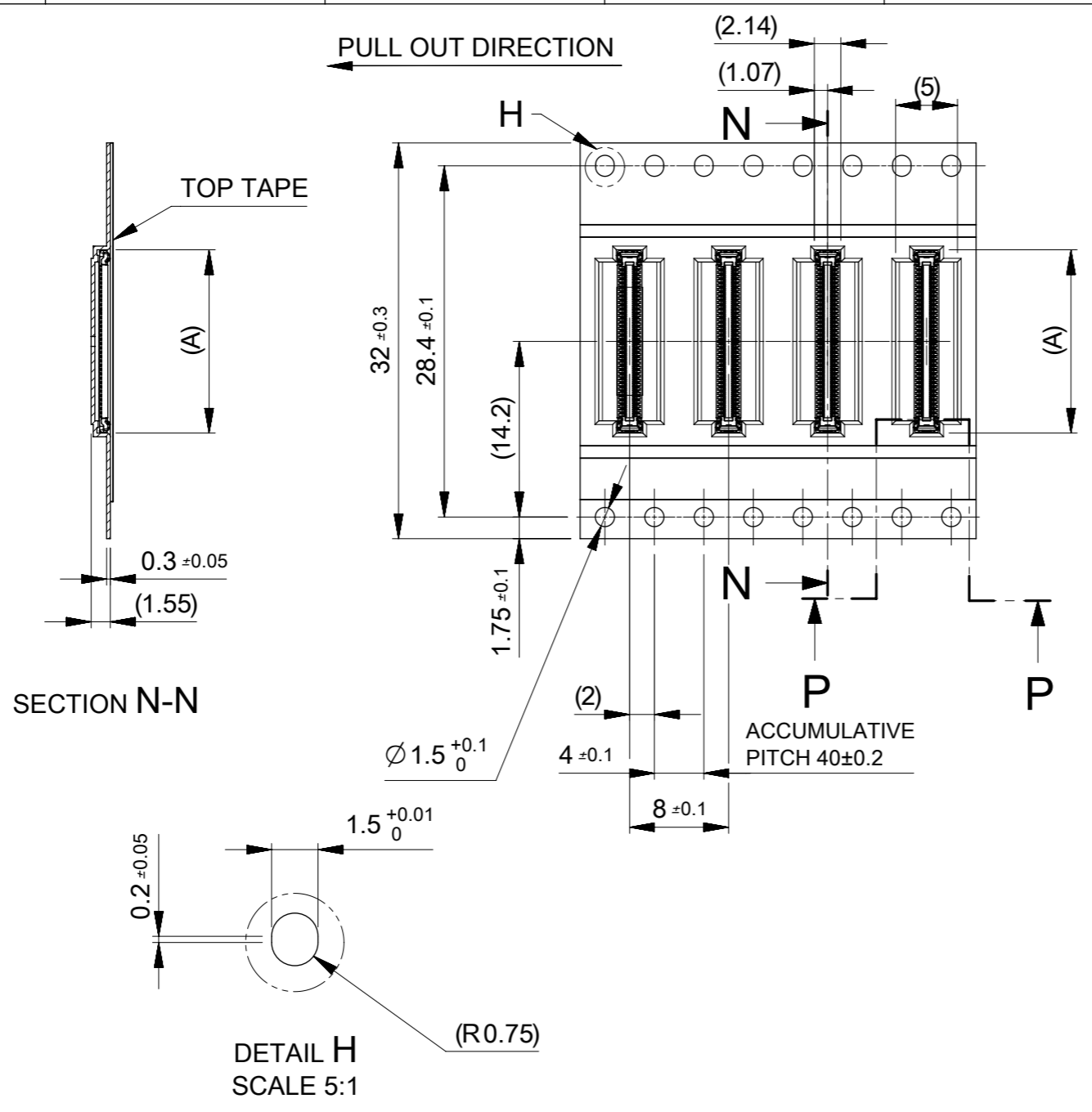
DIMENSION UNITS mm	SCALE 2:1	CURRENT REV DESC: REVISED		molex		
GENERAL TOLERANCES (UNLESS SPECIFIED)		EC NO: 612114				
ANGULAR TOL	± 3.0°	DRWN: ABABU01	2019/02/13	PRODUCT CUSTOMER DRAWING		
4 PLACES	± 0.03	CHK'D: MSASAO	2019/02/15	DOCUMENT NUMBER		
3 PLACES	± 0.03	APPR: MSASAO	2019/02/18	5054130000		
2 PLACES	± 0.05	INITIAL REVISION:		DOC TYPE	DOC PART	REVISION
1 PLACE	± 0.1	DRWN: HONO01	2016/03/16	PSD	000	G1
0 PLACES	± 0.2	APPR: KMORIKAWA	2016/04/26	SHEET NUMBER		
DRAFT WHERE APPLICABLE MUST REMAIN WITHIN DIMENSIONS		THIRD ANGLE PROJECTION	DRAWING	SERIES	MATERIAL NUMBER	CUSTOMER
			A3-SIZE	505413	SEE CHART	GENERAL



24	29.4	25.4	13.42	5054136410	---	---	64
			12.72	5054136010	○	---	60
			12.02	5054135410	---	---	54
			11.32	5054135010	---	---	50
			10.97	5054134810	---	---	48
			10.62	5054134610	---	---	46
			9.92	5054134210	---	---	42
			9.57	5054134010	○	---	40
			8.52	5054133410	○	---	34
キャリアテープ幅 CARRIER TAPE WIDTH	C	B	(A)	EMBOSSED TAPE PACKAGE	HIGH VOL. TOOL	LOW VOL. TOOL	CIRCUIT
ORDER NO.	SAMPLE PREPARATION ○:TOOLED △:WORK IN PROCESS ---:TOOLING TO BE CONFIRMED						

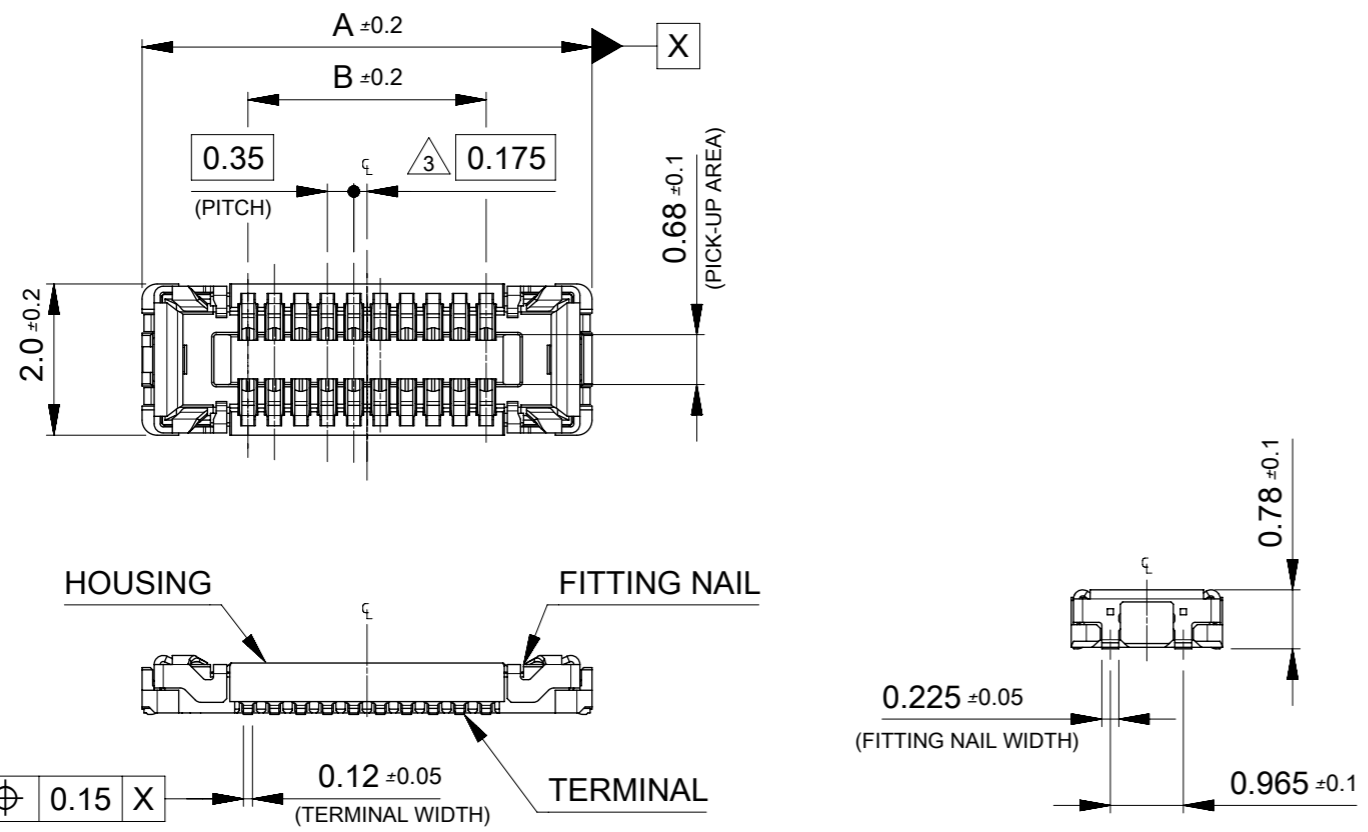
THIS DRAWING CONTAINS INFORMATION THAT IS PROPRIETARY TO MOLEX ELECTRONIC TECHNOLOGIES, LLC AND SHOULD NOT BE USED WITHOUT WRITTEN PERMISSION

DIMENSION UNITS mm	SCALE 2:1	CURRENT REV DESC: REVISED		molex		
GENERAL TOLERANCES (UNLESS SPECIFIED)		EC NO: 612114				
ANGULAR TOL ± 3.0°	4 PLACES ± 0.03	DRWN: ABABU01	2019/02/13	PRODUCT CUSTOMER DRAWING		
3 PLACES ± 0.03	2 PLACES ± 0.05	CHK'D: MSASAO	2019/02/15	DOCUMENT NUMBER		
1 PLACE ± 0.1	0 PLACES ± 0.2	APPR: MSASAO	2019/02/18	5054130000		
DRAFT WHERE APPLICABLE MUST REMAIN WITHIN DIMENSIONS		INITIAL REVISION:		DOC TYPE	DOC PART	REVISION
THIRD ANGLE PROJECTION		DRWN: HONO01	2016/03/16	PSD	000	G1
DRAWING		APPR: KMORIKAWA	2016/04/26	SHEET NUMBER		
A3-SIZE		SERIES	505413	CUSTOMER		3 OF 4
MATERIAL NUMBER		SEE CHART		GENERAL		



32	37.4	33.4	14.82	5054137010	---	---	70
キャリアテープ幅 CARRIER TAPE WIDTH	C	B	(A)	EMBOSSED TAPE PACKAGE	HIGH VOL. TOOL	LOW VOL. TOOL	CIRCUIT
				ORDER NO.	SAMPLE PREPARATION ○:TOOLED △:WORK IN PROCESS ---:TOOLING TO BE CONFIRMED		

THIS DRAWING CONTAINS INFORMATION THAT IS PROPRIETARY TO MOLEX ELECTRONIC TECHNOLOGIES, LLC AND SHOULD NOT BE USED WITHOUT WRITTEN PERMISSION		CURRENT REV DESC: REVISED		molex	
DIMENSION UNITS mm	SCALE 2:1	EC NO: 612114 DRWN: ABABU01 2019/02/13 CHK'D: MSASAO 2019/02/15 APPR: MSASAO 2019/02/18			
GENERAL TOLERANCES (UNLESS SPECIFIED)		INITIAL REVISION:		PRODUCT CUSTOMER DRAWING	
ANGULAR TOL ± 3.0°	4 PLACES ± 0.03	DRWN: HONO01 2016/03/16	APPR: KMORIKAWA 2016/04/26	DOCUMENT NUMBER 5054130000	DOC TYPE DOC PART REVISION PSD 000 G1
3 PLACES ± 0.03	2 PLACES ± 0.05	DRAFT WHERE APPLICABLE MUST REMAIN WITHIN DIMENSIONS		SEE CHART	GENERAL
1 PLACE ± 0.1	0 PLACES ± 0.2	THIRD ANGLE PROJECTION	DRAWING A3-SIZE	SERIES 505413	CUSTOMER GENERAL
SHEET NUMBER 4 OF 4		MATERIAL NUMBER SEE CHART		SHEET NUMBER 4 OF 4	



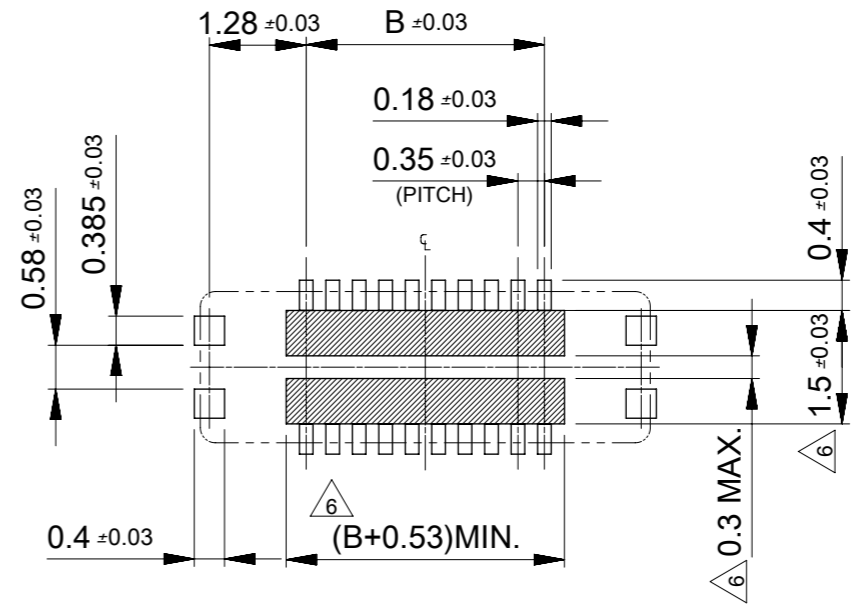
NOTES

1. MATERIAL
HOUSING : LIQUID CRYSTAL POLYMER UL94V-0(COLOR : BLACK)
TERMINAL : COPPER ALLOY
FITTING NAIL : COPPER ALLOY
2. PLATING
TERMINAL :
GOLD
UNDER PLATING : NICKEL
*DIVIDE INTO PARTS THE GOLD PLATING OF THE CONTACT AND THE TAIL PART BY THE NICKEL PLATING.
- FITTING NAIL :
GOLD(ONLY CONTACT AND TAIL PART)
UNDER PLATING : NICKEL
3. APPLY FOR (CIRCUIT/2)=EVEN
4. MATE WITH : 505417**10
5. TAIL AND FITTING NAIL COPLANARITY TO BE 0.08MAXIMUM.
6. PROHIBITED AREA OF PATTERN WIRING AND SOLDER.
(FOR EACH AREA, THE WIRING THAT TOUCHES ON THE SOLDER CAN BE ATTACHED, THEN COVERED WITH A FILM TO KEEP SOLDER OUT.)
7. ELV and RoHS COMPLIANT.

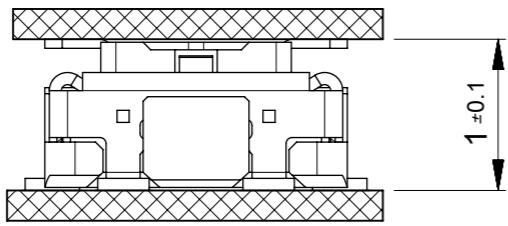
11.90	14.70	5054137010	---	---	70
10.85	13.65	5054136410	---	---	64
10.15	12.95	5054136010	○	---	60
9.10	11.90	5054135410	---	---	54
8.40	11.20	5054135010	---	---	50
8.05	10.85	5054134810	---	---	48
7.70	10.50	5054134610	---	---	46
7.00	9.80	5054134210	---	---	42
6.65	9.45	5054134010	○	---	40
5.60	8.40	5054133410	○	---	34
4.90	7.70	5054133010	○	---	30
3.85	6.65	5054132410	---	---	24
3.50	6.30	5054132210	---	---	22
3.15	5.95	5054132010	---	---	20
2.80	5.60	5054131810	---	---	18
2.45	5.25	5054131610	---	---	16
2.10	4.90	5054131410	○	---	14
1.75	4.55	5054131210	---	---	12
1.40	4.20	5054131010	---	---	10
0.70	3.50	5054130610	○	---	6

B	A	EMBOSSED TAPE PACKAGE	MASS PRODUCTION	LOW VOL.TOOL	CIRCUIT
		ORDER No.	SMAPLE PREPARATION ○:TOOLED △:WORK IN PROCESS ---:TOOLING TO BE CONFIRMED		
		CONNECTOR SERIES No. : 505413**09			

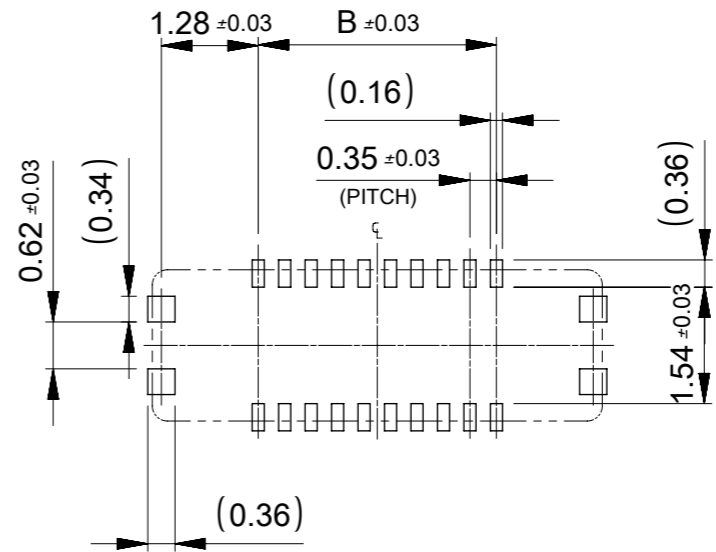
THIS DRAWING CONTAINS INFORMATION THAT IS PROPRIETARY TO MOLEX ELECTRONIC TECHNOLOGIES, LLC AND SHOULD NOT BE USED WITHOUT WRITTEN PERMISSION		CURRENT REV DESC:		molex		
DIMENSION UNITS	SCALE					
mm	10:1			0.35 BB CONN. H=1.0 SSB10RP REC. ASSY		
GENERAL TOLERANCES (UNLESS SPECIFIED)		EC NO: 601150		PRODUCT CUSTOMER DRAWING		
ANGULAR TOL	± 3.0 °	DRWN: RMIYAMOTO 2018/07/09		DOCUMENT NUMBER		
4 PLACES	± 0.03	CHK'D: KSASAKI 2018/07/09		5054131000		
3 PLACES	± 0.03	APPR: TKUSUHARA01 2018/07/10		DOC TYPE	DOC PART	REVISION
2 PLACES	± 0.05	INITIAL REVISION:		PSD	000	E
1 PLACE	± 0.1	DRWN: HONO01 2016/04/25		MATERIAL NUMBER		
0 PLACES	± 0.2	APPR: KMORIKAWA 2016/04/26		CUSTOMER		
DRAFT WHERE APPLICABLE MUST REMAIN WITHIN DIMENSIONS		THIRD ANGLE PROJECTION	DRAWING	SERIES	SHEET NUMBER	
			A3-SIZE	505413	SEE CHART	GENERAL
					1 OF 2	



RECOMMENDED P.W.BOARD PATTERN LAYOUT (REFERENCE)



MATED CONDITION



RECOMMENDED METAL MASK LAYOUT (REFERENCE)

RECOMMENDED THICKNESS OF METAL MASK : t=0.08mm

RECOMMENDED OPEN APERTURE RATIO OF METAL MASK : 80%

THIS DRAWING CONTAINS INFORMATION THAT IS PROPRIETARY TO MOLEX ELECTRONIC TECHNOLOGIES, LLC AND SHOULD NOT BE USED WITHOUT WRITTEN PERMISSION									
DIMENSION UNITS		SCALE		CURRENT REV DESC:				molex	
mm		10:1							
GENERAL TOLERANCES (UNLESS SPECIFIED)				EC NO: 601150				0.35 BB CONN. H=1.0 SSB10RP REC. ASSY	
ANGULAR TOL ± 3.0°				DRWN: RMIYAMOTO 2018/07/09				PRODUCT CUSTOMER DRAWING	
4 PLACES ± 0.03				CHK'D: KSASAKI 2018/07/09				DOCUMENT NUMBER	
3 PLACES ± 0.03				APPR: TKUSUHARA01 2018/07/10				5054131000	
2 PLACES ± 0.05				INITIAL REVISION:				DOC TYPE	
1 PLACE ± 0.1				DRWN: HONO01 2016/04/25				PSD	
0 PLACES ± 0.2				APPR: KMORIKAWA 2016/04/26				DOC PART	
DRAFT WHERE APPLICABLE MUST REMAIN WITHIN DIMENSIONS				THIRD ANGLE PROJECTION		DRAWING		REVISION	
				A3-SIZE		SERIES		E	
				505413		MATERIAL NUMBER		SHEET NUMBER	
				SEE CHART		CUSTOMER		2 OF 2	
				GENERAL					