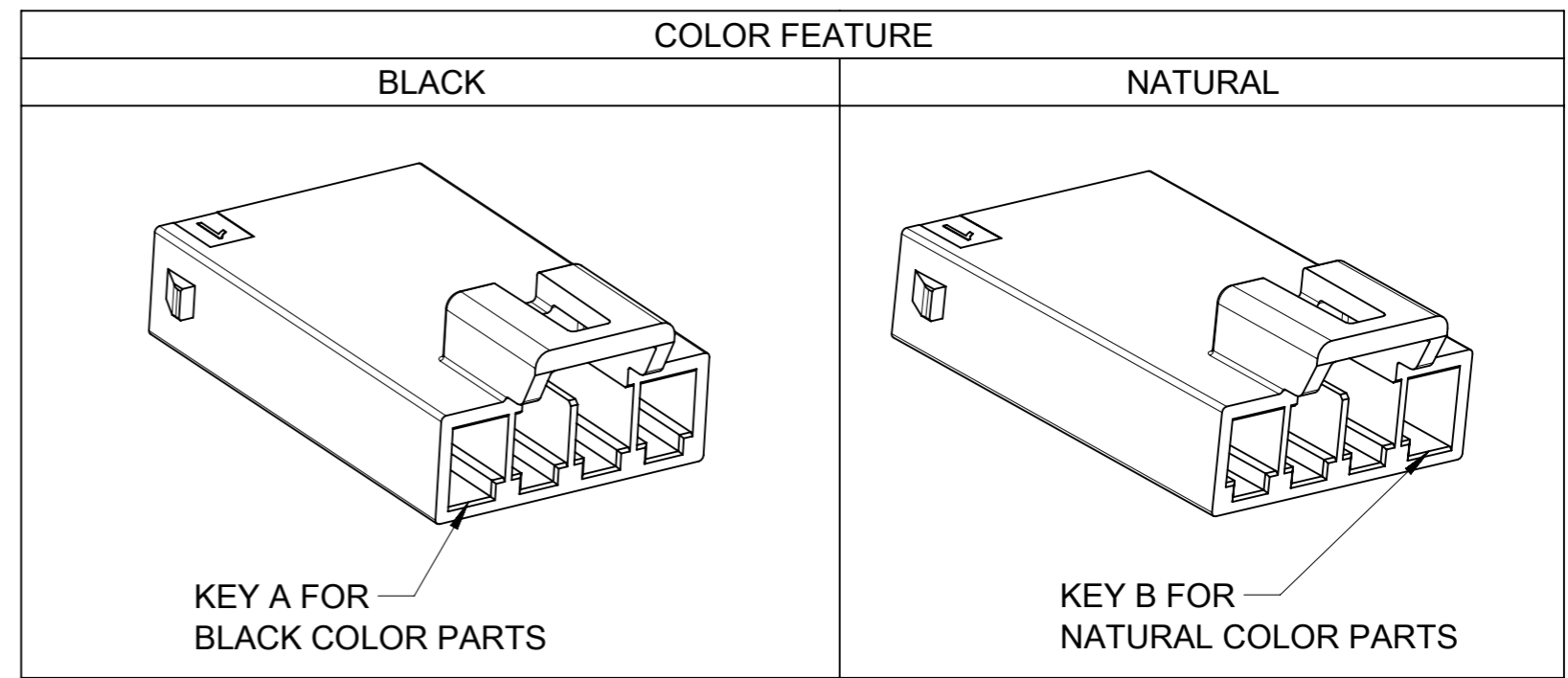
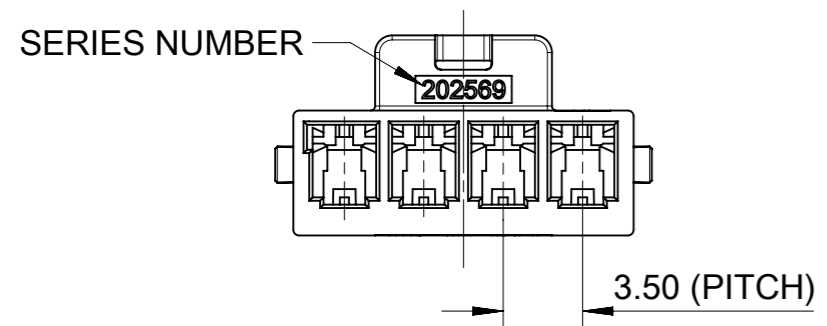
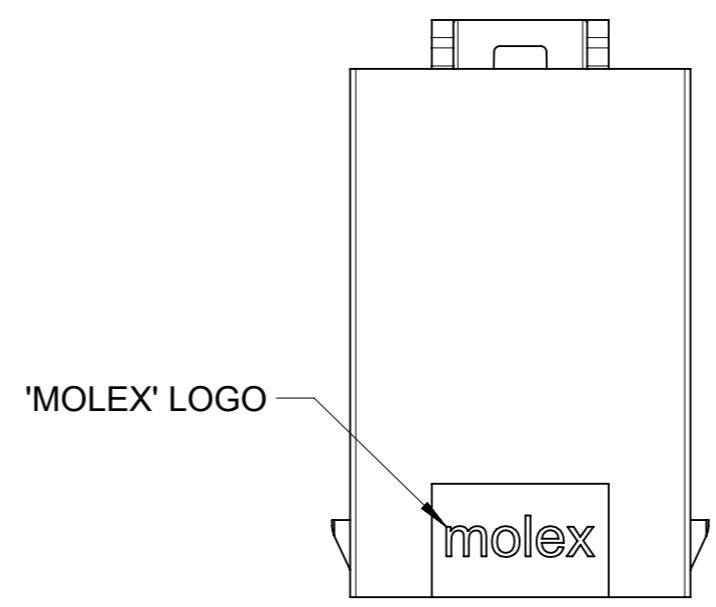
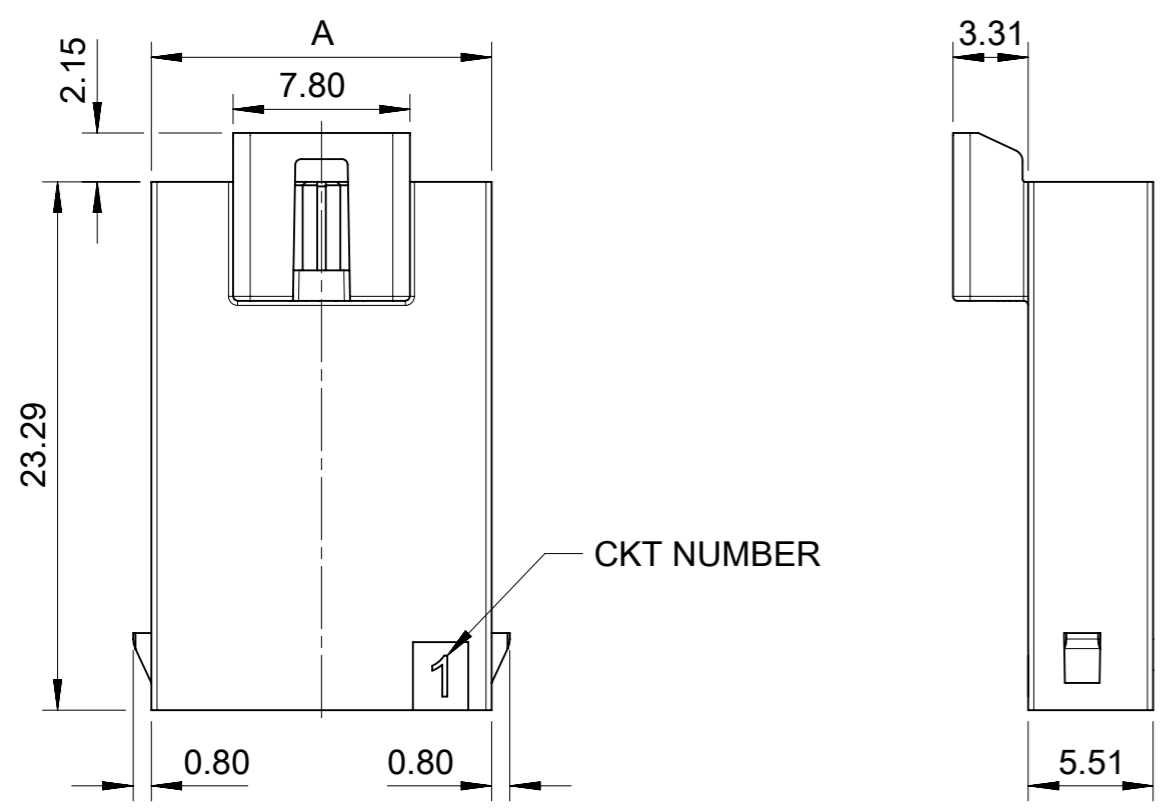


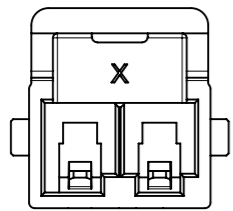
FREE HANGING PLUG PARTS

PART NUMBER	CIRCUIT SIZE	DIM 'A'	COLOR	TYPE
202569-3002	2	8.0	BLACK	FREE HANGING
202569-3003	3	11.5		
202569-3004	4	15.0		
202569-3005	5	18.5		
202569-3006	6	22.0		
202569-3007	7	25.5		
202569-3008	8	29.0		
202569-4002	2	8.0	NATURAL	
202569-4003	3	11.5		
202569-4004	4	15.0		
202569-4005	5	18.5		
202569-4006	6	22.0		
202569-4007	7	25.5		
202569-4008	8	29.0		

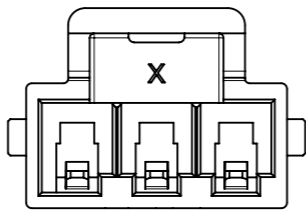


- NOTES:
1. MATERIAL: PA66, 94V-0, BLACK AND NATURAL.
 2. PRODUCT SPECIFICATION: 2169461000-PS.
 3. PACKAGE SPECIFICATION: 2025691000-PK.
 4. TO USE WITH TERMINAL OF 216946-****.
 5. TO USE WITH TPA OF 172264-****.
 6. TO MATE WITH RECEPTACLE OF 172256-****.
 7. PARTS CONFORM TO CLASS 'B' REQUIREMENTS OF COSMETIC SPECIFICATION PS-45499-002.

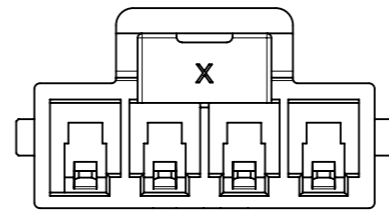
THIS DRAWING CONTAINS INFORMATION THAT IS PROPRIETARY TO MOLEX ELECTRONIC TECHNOLOGIES, LLC AND SHOULD NOT BE USED WITHOUT WRITTEN PERMISSION		CURRENT REV DESC:		molex	
DIMENSION UNITS	SCALE	EC NO: 726545			
mm	NTS	DRWN: LEOW 2022/10/31		PLUG HOUSING OF ULTRA-FIT WTW SR POWER CONNECTOR	
GENERAL TOLERANCES (UNLESS SPECIFIED)		CHK'D: EDUGGER 2022/11/01		PRODUCT CUSTOMER DRAWING	
ANGULAR TOL ± °		APPR: EDUGGER 2022/11/01		DOCUMENT NUMBER	
4 PLACES ±		INITIAL REVISION:		2025691000-SD	
3 PLACES ±		DRWN: GLLI 2021/07/06		DOC TYPE	
2 PLACES ± 0.2		APPR: EDUGGER 2022/11/01		PSD	
1 PLACE ± 0.3		SERIES		000	
0 PLACES ±		MATERIAL NUMBER		A	
DRAFT WHERE APPLICABLE MUST REMAIN WITHIN DIMENSIONS		THIRD ANGLE PROJECTION	DRAWING	CUSTOMER	SHEET NUMBER
			A3-SIZE	GENERAL MARKET	1 OF 6



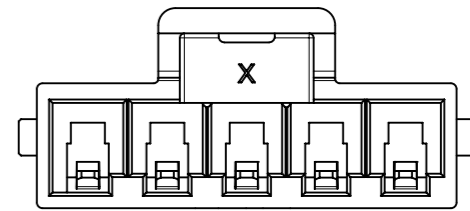
2CKT



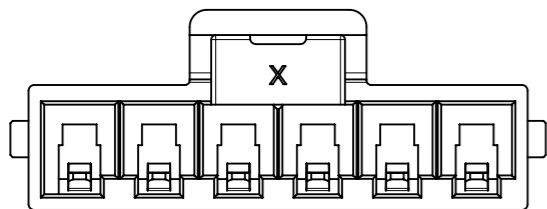
3CKT



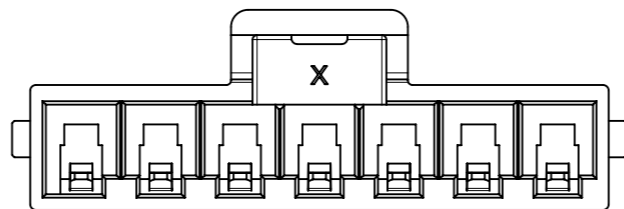
4CKT



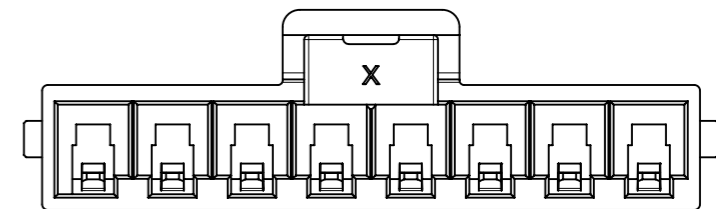
5CKT



6CKT



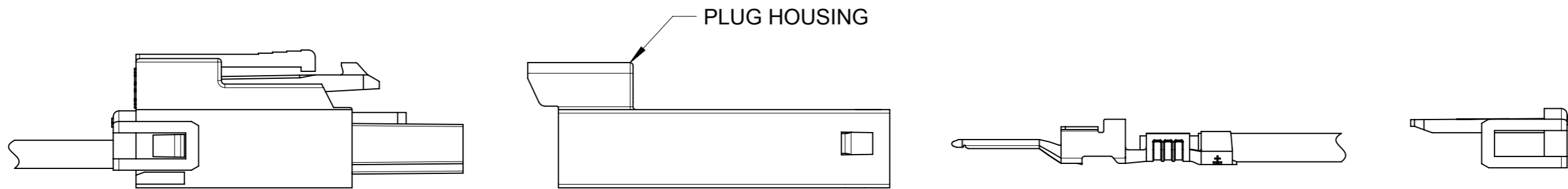
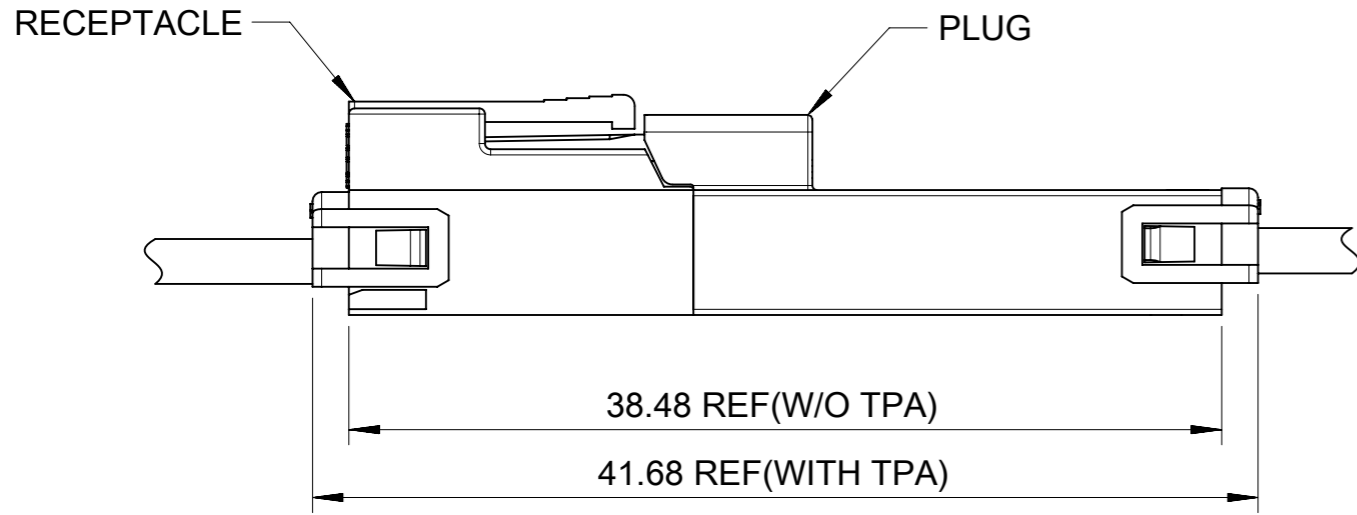
7CKT



8CKT

THIS DRAWING CONTAINS INFORMATION THAT IS PROPRIETARY TO MOLEX ELECTRONIC TECHNOLOGIES, LLC AND SHOULD NOT BE USED WITHOUT WRITTEN PERMISSION									
DIMENSION UNITS		SCALE		CURRENT REV DESC:					
mm		NTS							
GENERAL TOLERANCES (UNLESS SPECIFIED)				EC NO: 726545				PLUG HOUSING OF ULTRA-FIT WTW SR POWER CONNECTOR	
ANGULAR TOL ± °				DRWN: LEOW 2022/10/31					
4 PLACES ±				CHK'D: EDUGGER 2022/11/01				PRODUCT CUSTOMER DRAWING	
3 PLACES ±				APPR: EDUGGER 2022/11/01					
2 PLACES ± 0.2				INITIAL REVISION:				DOCUMENT NUMBER	
1 PLACE ± 0.3				DRWN: GLLI 2021/07/06				2025691000-SD	
0 PLACES ±				APPR: EDUGGER 2022/11/01				DOC TYPE DOC PART REVISION	
DRAFT WHERE APPLICABLE MUST REMAIN WITHIN DIMENSIONS				THIRD ANGLE PROJECTION		DRAWING		SERIES	
						A3-SIZE		202569	
				MATERIAL NUMBER		CUSTOMER		SHEET NUMBER	
				GENERAL MARKET		2 OF 6			

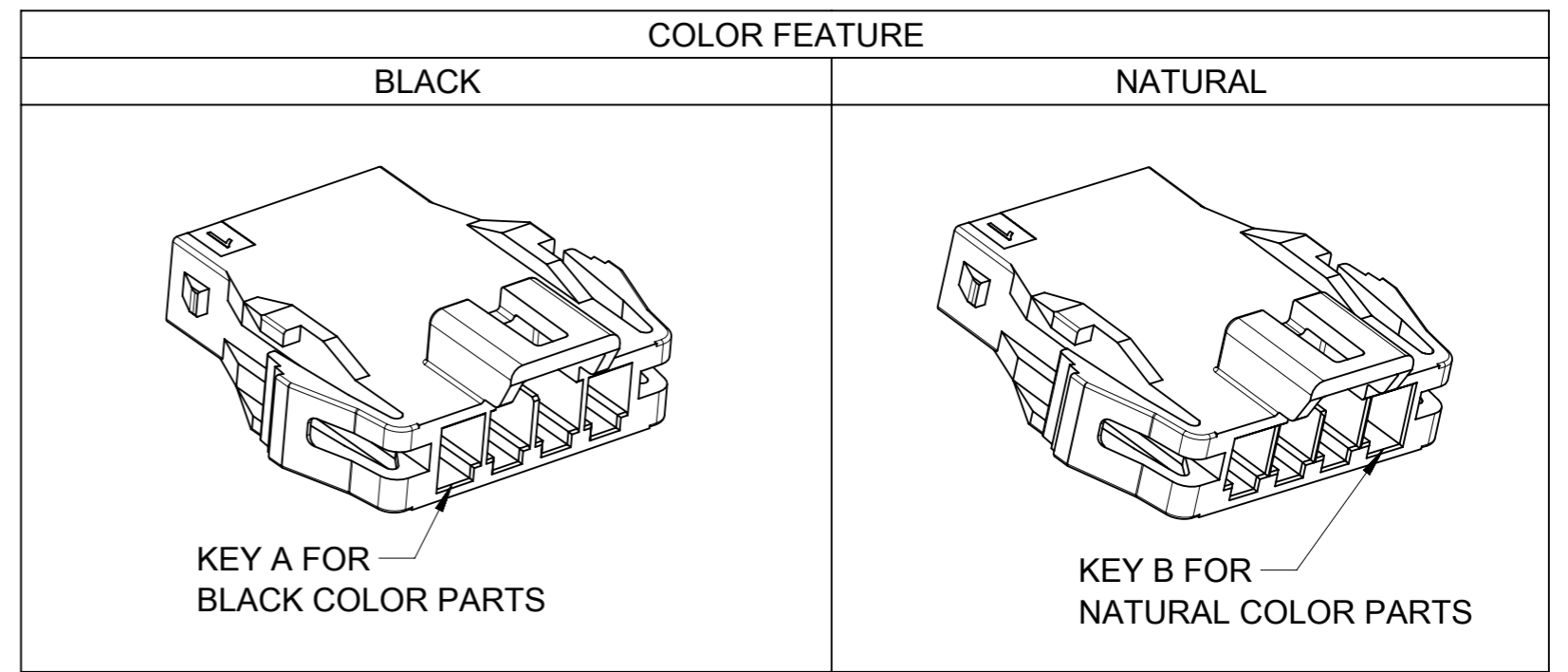
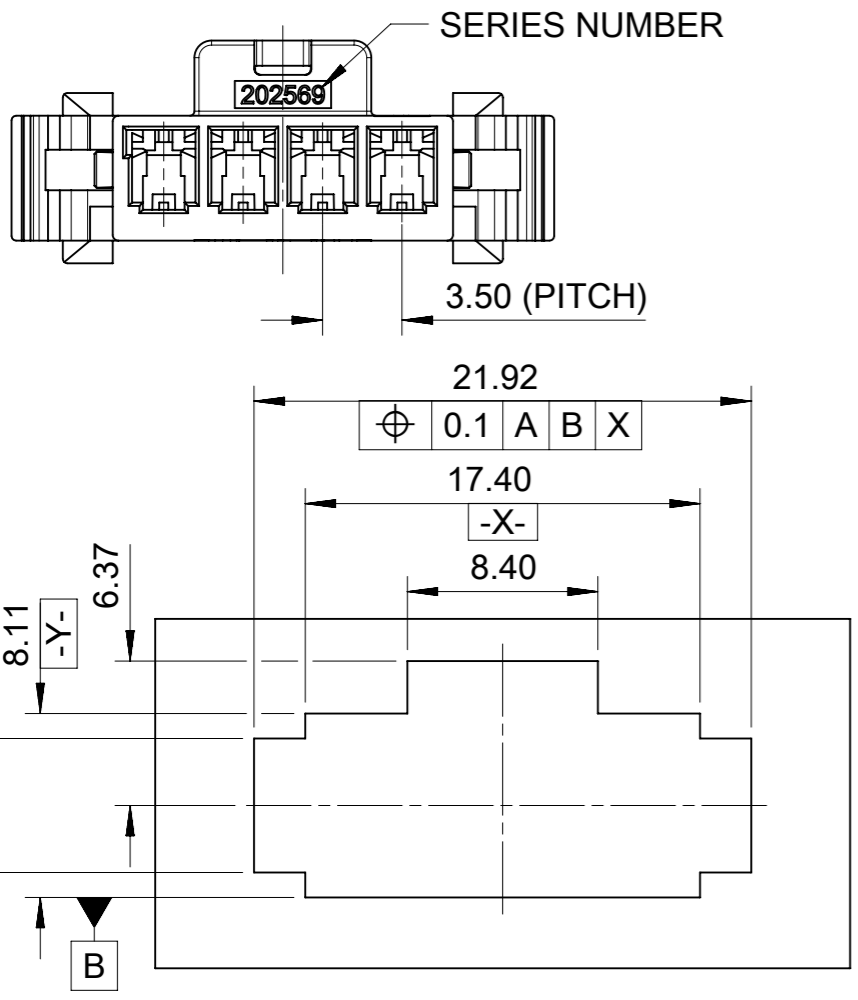
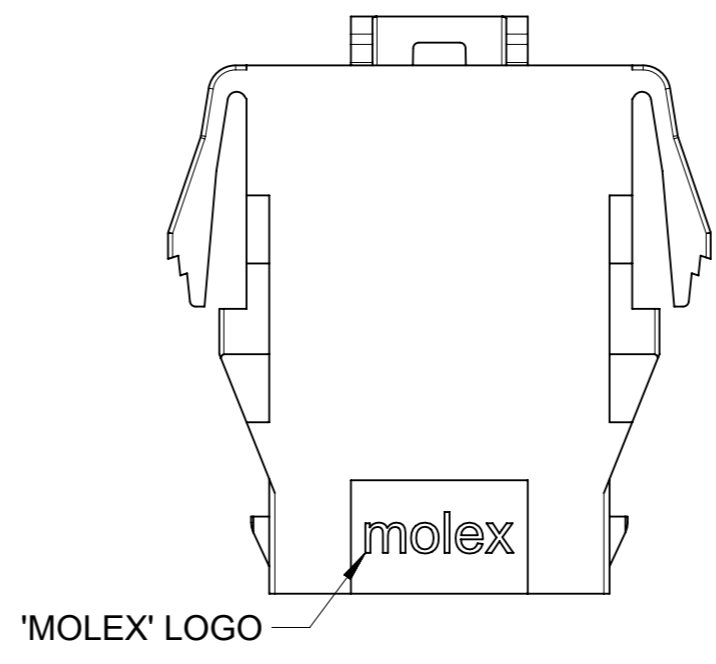
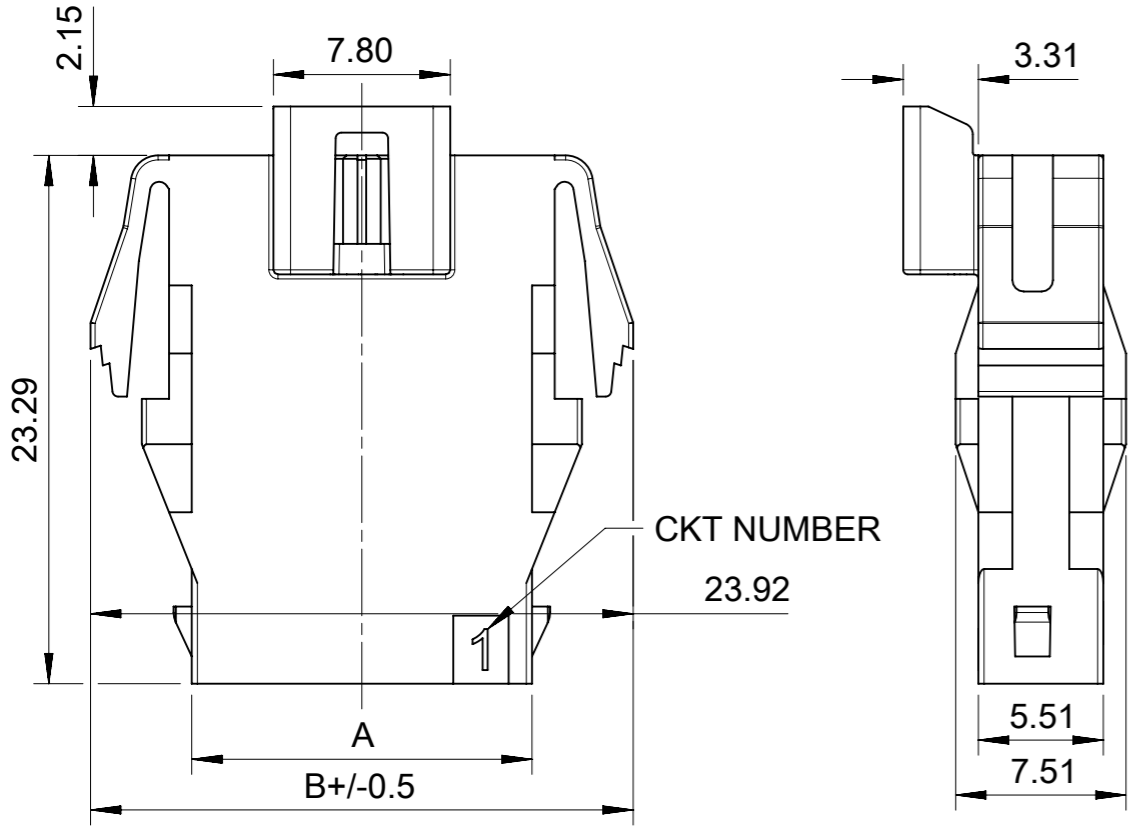
FREE HANGING PLUG PARTS



THIS DRAWING CONTAINS INFORMATION THAT IS PROPRIETARY TO MOLEX ELECTRONIC TECHNOLOGIES, LLC AND SHOULD NOT BE USED WITHOUT WRITTEN PERMISSION									
DIMENSION UNITS		SCALE		CURRENT REV DESC:				molex	
mm		NTS							
GENERAL TOLERANCES (UNLESS SPECIFIED)				EC NO: 726545				PLUG HOUSING OF ULTRA-FIT WTW SR POWER CONNECTOR	
ANGULAR TOL ± °				DRWN: LEOW 2022/10/31				PRODUCT CUSTOMER DRAWING	
4 PLACES ±				CHK'D: EDUGGER 2022/11/01				DOCUMENT NUMBER	
3 PLACES ±				APPR: EDUGGER 2022/11/01				2025691000-SD	
2 PLACES ± 0.2				INITIAL REVISION:				DOC TYPE	
1 PLACE ± 0.3				DRWN: GLLI 2021/07/06				PSD	
0 PLACES ±				APPR: EDUGGER 2022/11/01				DOC PART	
DRAFT WHERE APPLICABLE MUST REMAIN WITHIN DIMENSIONS				THIRD ANGLE PROJECTION		DRAWING		REVISION	
				A3-SIZE		SERIES		A	
				202569		MATERIAL NUMBER		SHEET NUMBER	
						CUSTOMER		3 OF 6	
						GENERAL MARKET			

PANEL MOUNT PLUG PARTS

PART NUMBER	CIRCUIT SIZE	DIM 'A'	DIM 'B'	COLOR	TYPE
202569-3102	2	8.0	16.92	BLACK	PANEL MOUNT
202569-3103	3	11.5	20.42		
202569-3104	4	15.0	23.92		
202569-3105	5	18.5	27.42		
202569-3106	6	22.0	30.92		
202569-3107	7	25.5	34.42		
202569-3108	8	29.0	37.92		
202569-4102	2	8.0	16.92		
202569-4103	3	11.5	20.42	NATURAL	
202569-4104	4	15.0	23.92		
202569-4105	5	18.5	27.42		
202569-4106	6	22.0	30.92		
202569-4107	7	25.5	34.42		
202569-4108	8	29.0	37.92		



RECOMMENDED PANEL CUT OUT
(TOLERRANCE +/-0.05 THICKNESS=1.2~2.2MM)

DIMENSION UNITS		SCALE	CURRENT REV DESC:			
mm		NTS	<p>molex</p> <p>PLUG HOUSING OF ULTRA-FIT WTW SR POWER CONNECTOR</p> <p>PRODUCT CUSTOMER DRAWING</p>			
GENERAL TOLERANCES (UNLESS SPECIFIED)		EC NO: 726545		2022/10/31		
ANGULAR TOL ± °		DRWN: LEOW		2022/11/01		
4 PLACES ±		CHK'D: EDUGGER		2022/11/01		
3 PLACES ±		APPR: EDUGGER		2022/11/01		
2 PLACES ± 0.2		INITIAL REVISION:		DOCUMENT NUMBER		
1 PLACE ± 0.3		DRWN: GLLI		2021/07/06		
0 PLACES ±		APPR: EDUGGER		2022/11/01		
DRAFT WHERE APPLICABLE MUST REMAIN WITHIN DIMENSIONS		THIRD ANGLE PROJECTION	DRAWING	SERIES	MATERIAL NUMBER	CUSTOMER
			A3-SIZE	202569	2025691000-SD	GENERAL MARKET
					PSD	000
						A
						4 OF 6

10

9

8

7

6

5

4

3

2

1

F

F

E

E

D

D

C

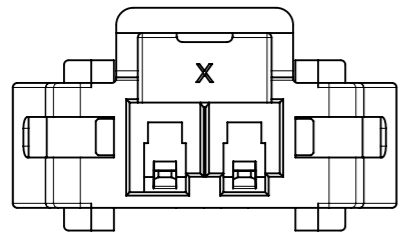
C

B

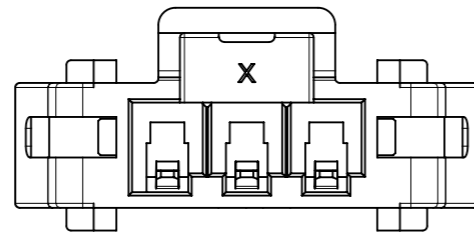
B

A

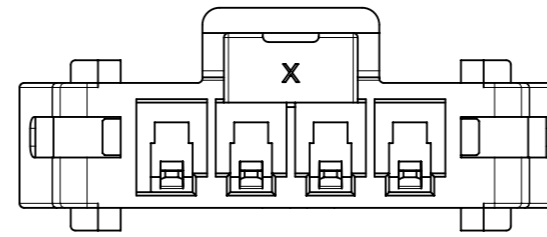
A



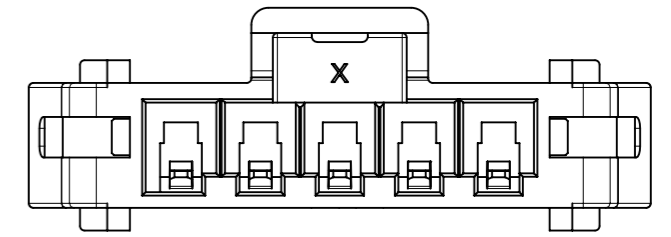
2CKT



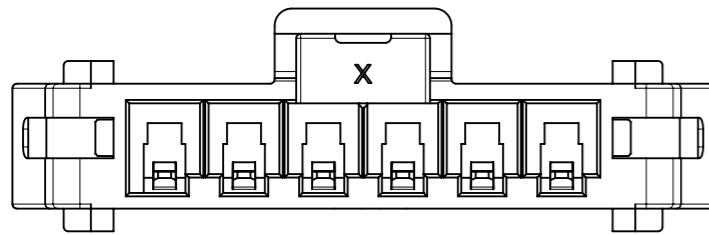
3CKT



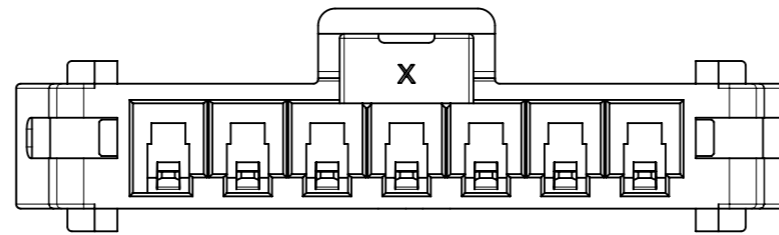
4CKT



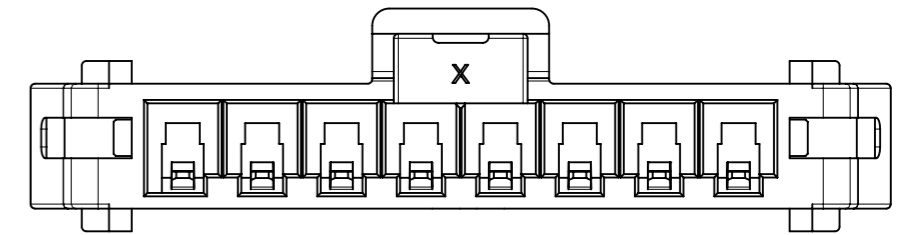
5CKT



6CKT



7CKT



8CKT

THIS DRAWING CONTAINS INFORMATION THAT IS PROPRIETARY TO MOLEX ELECTRONIC TECHNOLOGIES, LLC AND SHOULD NOT BE USED WITHOUT WRITTEN PERMISSION													
DIMENSION UNITS		SCALE		CURRENT REV DESC:									
mm		NTS											
GENERAL TOLERANCES (UNLESS SPECIFIED)				EC NO: 726545						PLUG HOUSING OF ULTRA-FIT WTW SR POWER CONNECTOR			
ANGULAR TOL ± °				DRWN: LEOW 2022/10/31									
4 PLACES ±				CHK'D: EDUGGER 2022/11/01						PRODUCT CUSTOMER DRAWING			
3 PLACES ±				APPR: EDUGGER 2022/11/01									
2 PLACES ± 0.2				INITIAL REVISION:						DOCUMENT NUMBER 2025691000-SD			
1 PLACE ± 0.3				DRWN: GLLI 2021/07/06									
0 PLACES ±				APPR: EDUGGER 2022/11/01						DOC TYPE DOC PART REVISION PSD 000 A			
DRAFT WHERE APPLICABLE MUST REMAIN WITHIN DIMENSIONS		THIRD ANGLE PROJECTION		DRAWING		SERIES		MATERIAL NUMBER		CUSTOMER		SHEET NUMBER	
				A3-SIZE		202569		GENERAL MARKET		5 OF 6			

DOCUMENT STATUS	P1	RELEASE DATE	2022/11/01	13:33:31
-----------------	----	--------------	------------	----------

9

8

7

6

5

4

3

2

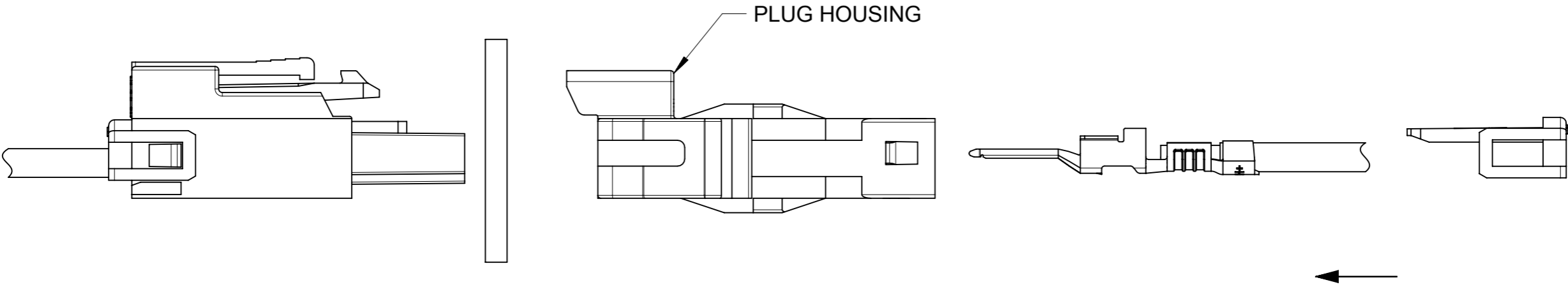
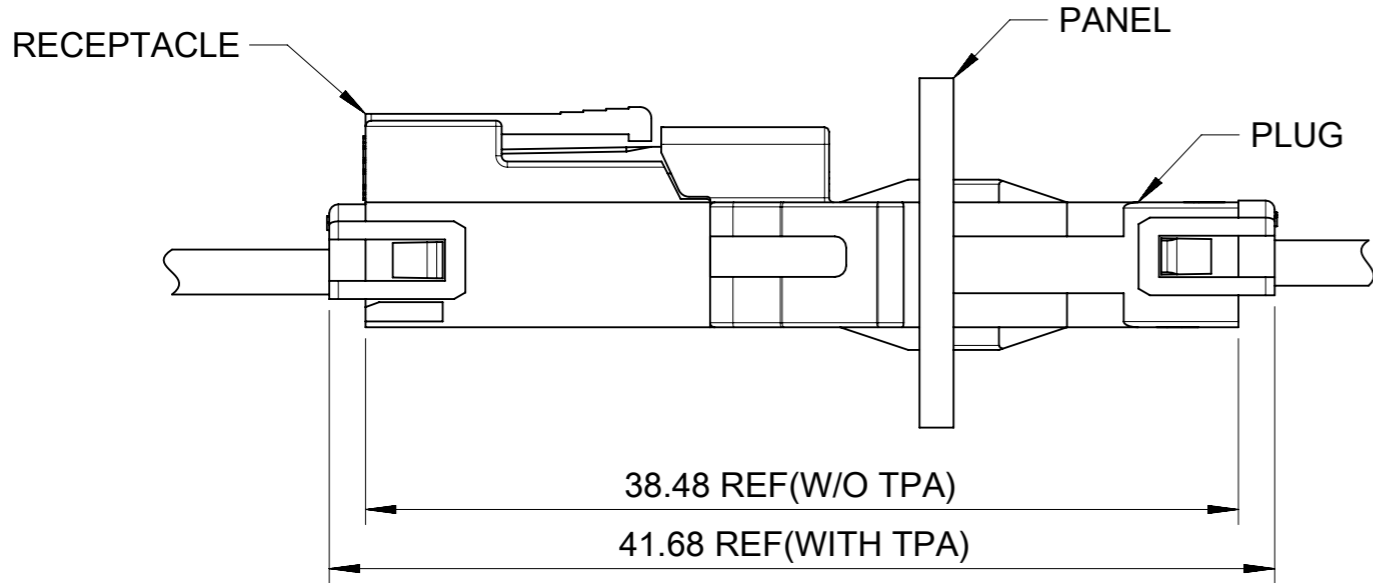
1

FORMAT: master-b-prod-A3

REVISION: 11

DATE: 2021/05/01

PANEL MOUNT PLUG PARTS



← PLUG TERMINAL AND TPA ORIENTATION

THIS DRAWING CONTAINS INFORMATION THAT IS PROPRIETARY TO MOLEX ELECTRONIC TECHNOLOGIES, LLC AND SHOULD NOT BE USED WITHOUT WRITTEN PERMISSION													
DIMENSION UNITS		SCALE		CURRENT REV DESC:				molex					
mm		NTS											
GENERAL TOLERANCES (UNLESS SPECIFIED)				EC NO: 726545 DRWN: LEOW 2022/10/31 CHK'D: EDUGGER 2022/11/01 APPR: EDUGGER 2022/11/01 INITIAL REVISION: DRWN: GLLI 2021/07/06 APPR: EDUGGER 2022/11/01				PLUG HOUSING OF ULTRA-FIT WTW SR POWER CONNECTOR					
ANGULAR TOL ± °								PRODUCT CUSTOMER DRAWING					
4 PLACES ±								DOCUMENT NUMBER		DOC TYPE		DOC PART	
3 PLACES ±								2025691000-SD		PSD		000	
2 PLACES ± 0.2								REVISION		A			
1 PLACE ± 0.3				MATERIAL NUMBER		CUSTOMER		SHEET NUMBER					
0 PLACES ±				202569		GENERAL MARKET		6 OF 6					
DRAFT WHERE APPLICABLE MUST REMAIN WITHIN DIMENSIONS				THIRD ANGLE PROJECTION		DRAWING		SERIES					
						A3-SIZE		202569					