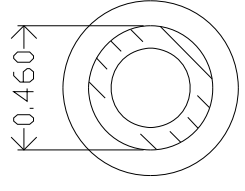
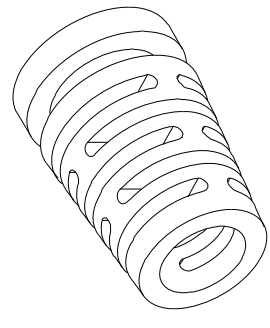
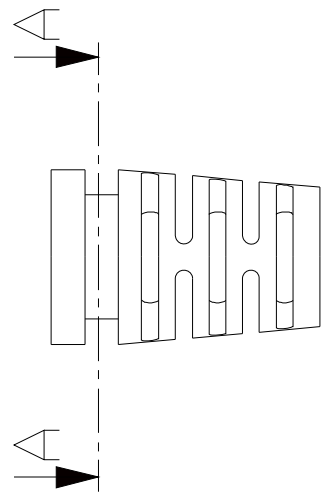
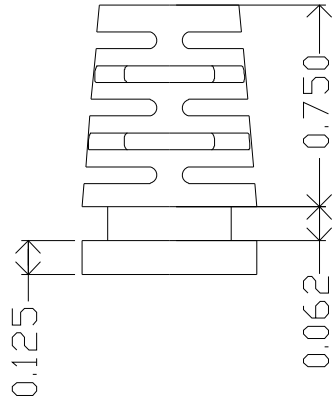
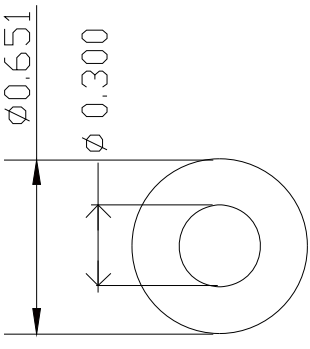


REVISIONS		DATE	APPROVED
ZONE	REV.		



MOLD MATERIAL: ISC P/N: 5000214, PVC, M1472, Black, RoHS

DRAWN	CHECKED	ENG APPR	MFG APPR	QA	COMMENTS:	NAME	DATE
R. FIERRIO						ISC Engineering	10/14/04
DIMENSIONS ARE IN INCHES TOLERANCES: FRACTIONAL ± ANGULAR: MACH ± BEND ± TWO PLACE DECIMAL ± THREE PLACE DECIMAL ± MATERIAL: --- FINISH: --- USED ON: --- APPLICATION: NEXT ASSY							
APPLICATION: DD NOT SCALE DRAWING							

ISC Engineering	
4351 Schaefer Ave, Chino, CA 91710	
Ph: 909-596-3315 Fax: 909-596-3335	
www.iscengineering.com	
www.overmoldtooling.com	
Multiflex, Round SR	
1461080-300-B-460-651-0	
SIZEDWG. NO.	REV.
A	1
SCALE: 2:1	WEIGHT:
SHEET 1 OF 1	



Dimensions are subject to change.
 PROPRIETARY AND CONFIDENTIAL
 THE INFORMATION CONTAINED IN THIS
 DRAWING IS THE SOLE PROPERTY OF
 ISC ENGINEERING. ANY REPRODUCTION IN
 PART OR AS A WHOLE WITHOUT THE WRITTEN
 PERMISSION OF ISC ENGINEERING IS
 PROHIBITED.