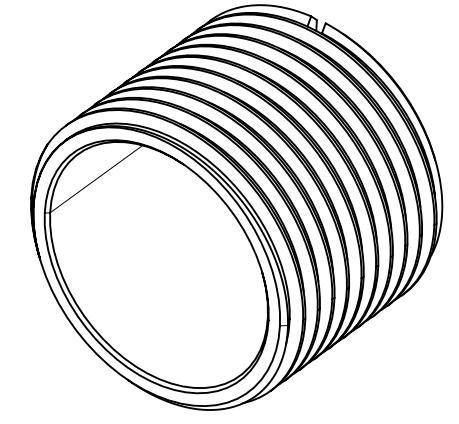
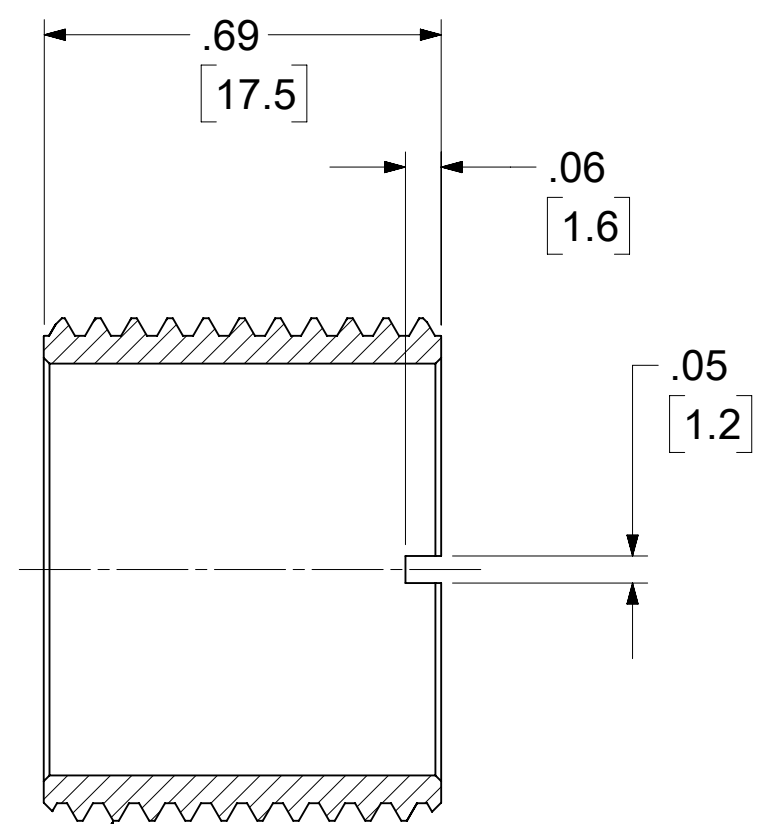


MATERIAL NO.	ENGINEERING NO.	FINISH	MATERIAL
1302011224	55-0426	CLEAR ANODIZE	ALUMINUM
1302011225	55-0426SS	PASSIVATED	ST. STEEL

Ⓢ

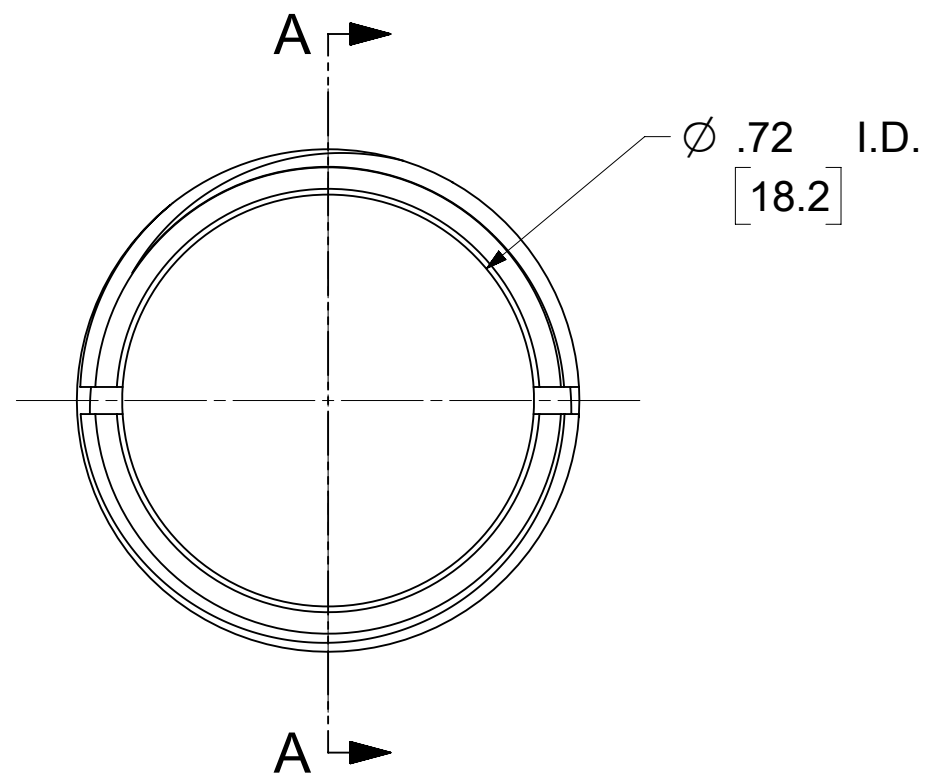


SCALE 2:1



7/8-16 UNS-2A THD.

SECTION A-A



NOTE: Ⓢ
ALL DIMENSIONS ARE FOR REFERENCE UNLESS TOLERANCED OR OTHERWISE NOTED

THIS DRAWING CONTAINS INFORMATION THAT IS PROPRIETARY TO MOLEX ELECTRONIC TECHNOLOGIES, LLC AND SHOULD NOT BE USED WITHOUT WRITTEN PERMISSION									
FUNCTIONAL SYMBOLS	DIMENSION UNITS	SCALE	CURRENT REV DESC: NOTE & MODIFIED MATERIAL TABLE.						
$\frac{E}{A} = 0$	INCH/MM	3:1	EC NO: 701162 DRWN: AKABADI 2022/01/12 CHKD: RSTONE 2022/03/30 APPR: BWOODMAN 2022/04/08 INITIAL REVISION: DRWN: BRUPERT 2009/08/24 APPR: JFMURPHY 2009/08/27						
$\frac{E}{E} = 0$	GENERAL TOLERANCES (UNLESS SPECIFIED)								
$\frac{E}{P} = 0$									
DIVISIONAL SYMBOLS	MM	INCH							
	4 PLACES	±							
	3 PLACES	±							
	2 PLACES	±							
	1 PLACE	±							
	0 PLACES	±							
	ANGULAR TOL	±	°						
DRAFT WHERE APPLICABLE MUST REMAIN WITHIN DIMENSIONS			THIRD ANGLE PROJECTION	DRAWING	SERIES	MATERIAL NUMBER	CUSTOMER	SHEET NUMBER	
				B-SIZE	130201	SEE TABLE	GENERAL MARKET	1 OF 1	

molex

MINI-CHANGE THREADED ADAPTER
A - SIZE, 7/8-16 THD

PRODUCT CUSTOMER DRAWING

DOCUMENT NUMBER	DOC TYPE	DOC PART	REVISION
SD-130201-224	PSD	001	C