

MATERIAL NO.	ENGINEERING NO.	FINISHED LENGTH
1300130341	1R4006A16A120	12 IN (0.31 M)

CABLE LENGTH TOLERANCES

<.3M [1FT]: +19mm-0 [+ .75in-0]

.3 - .9M [1 - 3FT]: +44.5mm-0 [+1.75in-0]

.9 - 1.8M [3 - 6FT]: +55.6mm-0 [+2.19in-0]

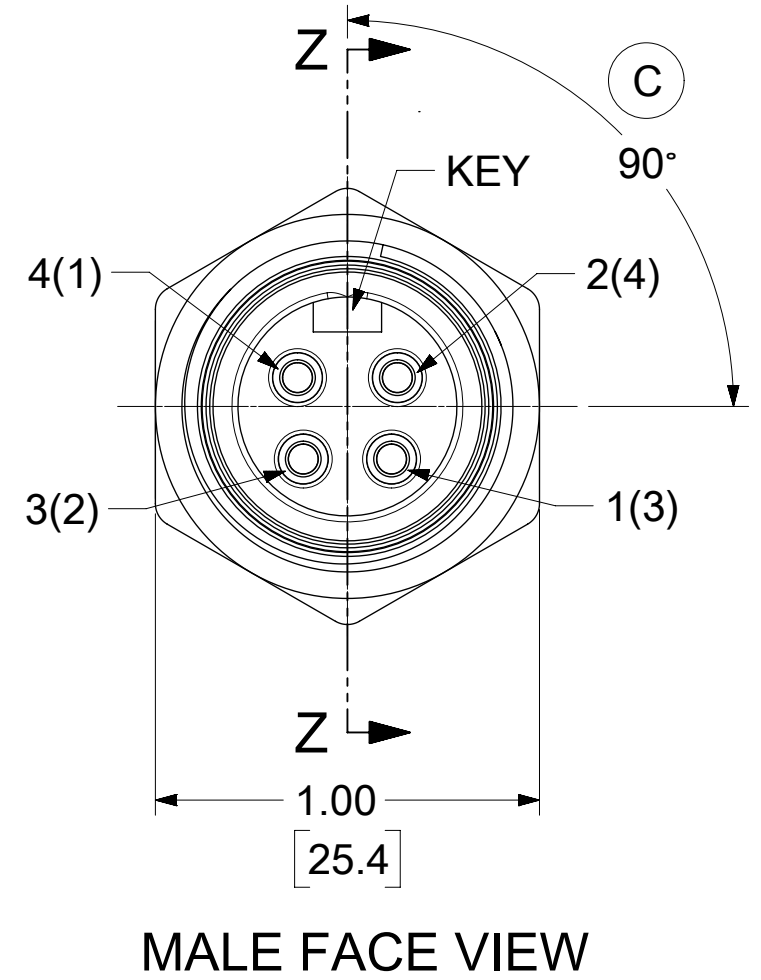
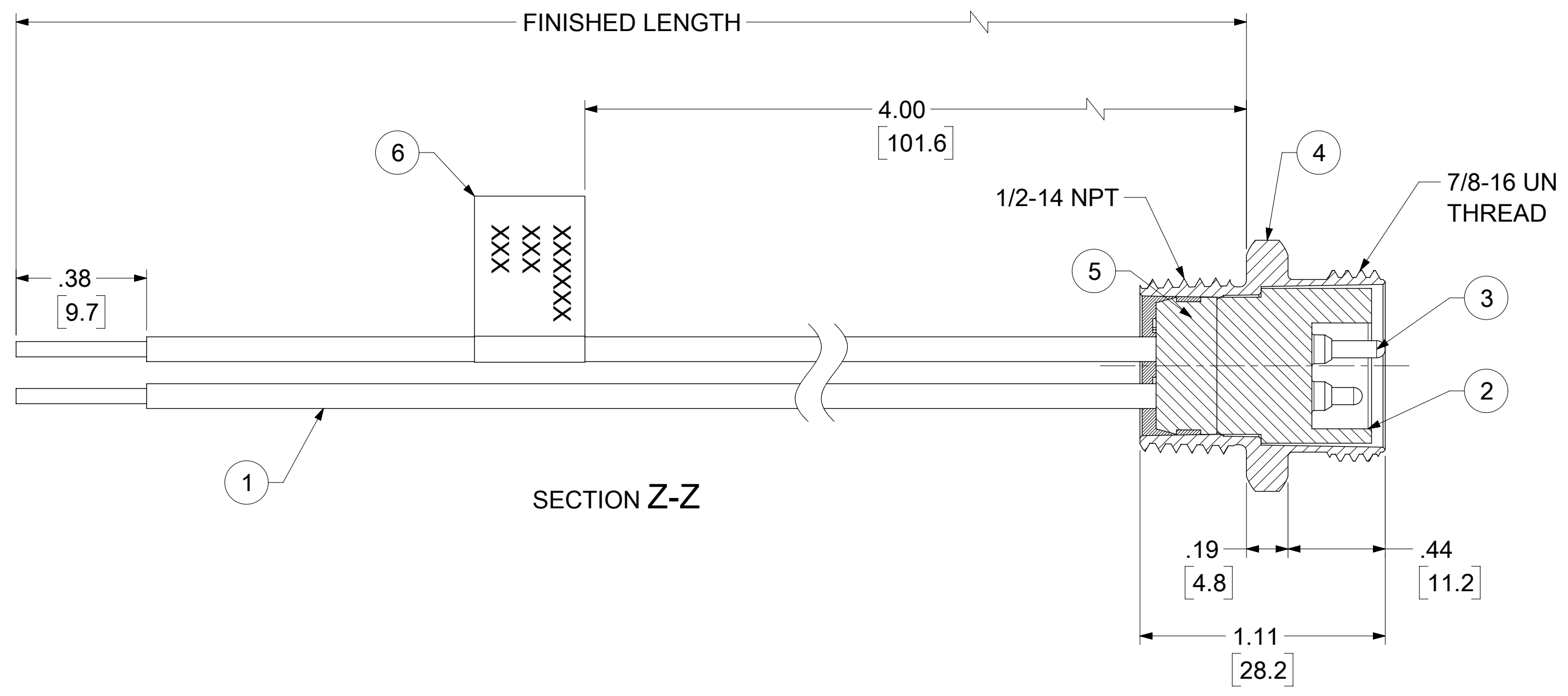
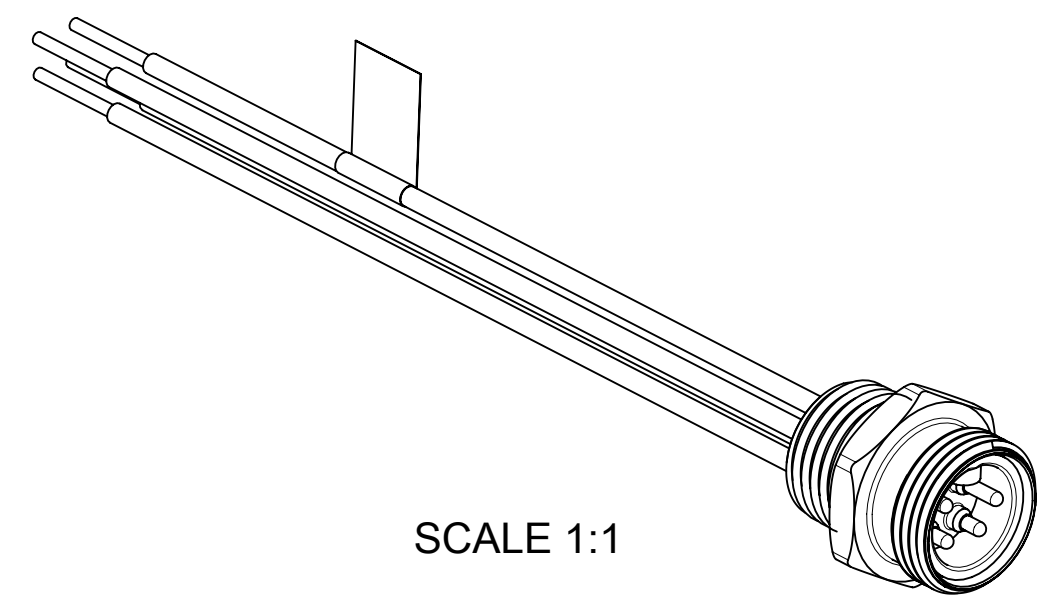
1.8 - 3.7M [6 - 12FT]: +88.9mm-0 [+3.50in-0]

3.7 - 7.3M [12 - 24FT]: +165.1mm-0 [+6.50in-0]

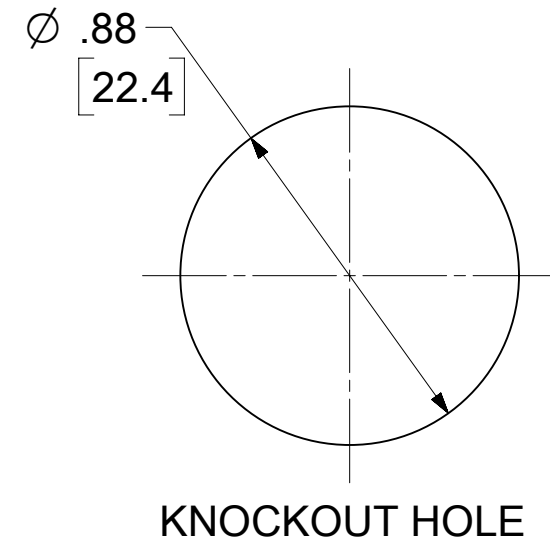
7.3-14.6M [24 - 48FT]: +317.5mm-0 [+12.50in-0]

14.6 - 30.5M [48-100FT]: +622.3mm-0 [+24.50in-0]

OVER 30M [100FT] +2% OF FINISHED LENGTH



- NOTES:**
- MATERIAL: AS NOTED
 - FINISH: AS NOTED
 - ELECTRICAL:
VOLTAGE: 300V
CURRENT: 5.6A
 - TEMP RATING: -20°C TO +105°C (C)
 - PROTECTION: IP67 (WHEN MATED)
 - CSA CERTIFIED FILE: LR6837 (C)
UL RECOGNIZED FILE: E152210 (C)
 - ALL DIMS ARE FOR REFERENCE UNLESS TOLERANCED OR NOTED OTHERWISE



PART NUMBER LEGEND (C)

1R4006A16A120

FINISHED LENGTH
A120= 12 INCHES
F001= .1 FT
F020= 2 FT
F200= 20 FT

WIRING DIAGRAM

BROWN	1(3)	CENELEC EN 50 044 PINOUT SHOWN (SAE-J-1738A PINOUT SHOWN IN PARENTHESIS)
WHITE	2(4)	
BLUE	3(2)	
BLACK	4(1)	

6	FLAG LABEL	VINYL	BLACK/YELLOW
5	POTTING MATERIAL	EPOXY	
4	RECEPTACLE SHELL	ZINC DIE CAST	BLACK E-COAT
3	CONTACT PIN	Cu ALLOY	GOLD OVER NICKEL
2	MALE INSERT	TPE	YELLOW
1	WIRE, 18 AWG, UL1569	PVC	SEE WIRE DIAGRAM
ITEM	DESCRIPTION	MATERIAL	FINISH

FUNCTIONAL SYMBOLS $\nabla = 0$ $\nabla = 0$ $\nabla = 0$	THIS DRAWING CONTAINS INFORMATION THAT IS PROPRIETARY TO MOLEX ELECTRONIC TECHNOLOGIES, LLC AND SHOULD NOT BE USED WITHOUT WRITTEN PERMISSION		molex MINI-CHANGE, RECEPTACLE 4 POLE, MALE, STRAIGHT, SINGLE KEY, 18 AWG				
	DIMENSION UNITS	SCALE			CURRENT REV DESC: ITEM #2 WERE PVC, UPDATED LABEL DIM. AND MATERIAL P/N TABLE. ADDED CSA, UL, TEMP RATING, IP RATING, TOL. CHART, 90° KEY ORIENTATION DIM., AND PART NUMBER LEGEND		
	mm	2:1	EC NO: 701162				
	GENERAL TOLERANCES (UNLESS SPECIFIED)		DRWN: AKABADI 2021/11/04				
ANGULAR TOL ± °		CHK'D: RSTONE 2022/03/30					
4 PLACES ±		APPR: BWOODMAN 2022/04/08					
3 PLACES ±		INITIAL REVISION:					
2 PLACES ±		DRWN: RSTONE 2009/08/26					
1 PLACE ±		APPR: JFMURPHY 2009/08/27					
0 PLACES ±		DRAFT WHERE APPLICABLE MUST REMAIN WITHIN DIMENSIONS					
THIRD ANGLE PROJECTION		DRAWING	SERIES	DOCUMENT NUMBER	DOC TYPE	DOC PART	REVISION
C-SIZE		130013	SD-130013-079	PSD	001	C	
MATERIAL NUMBER		CUSTOMER	SHEET NUMBER				
SEE TABLE		GENERAL MARKET	1 OF 1				