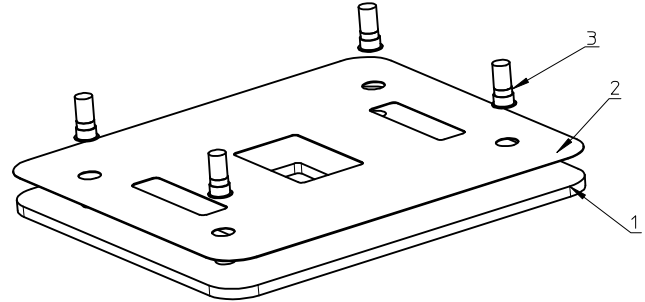
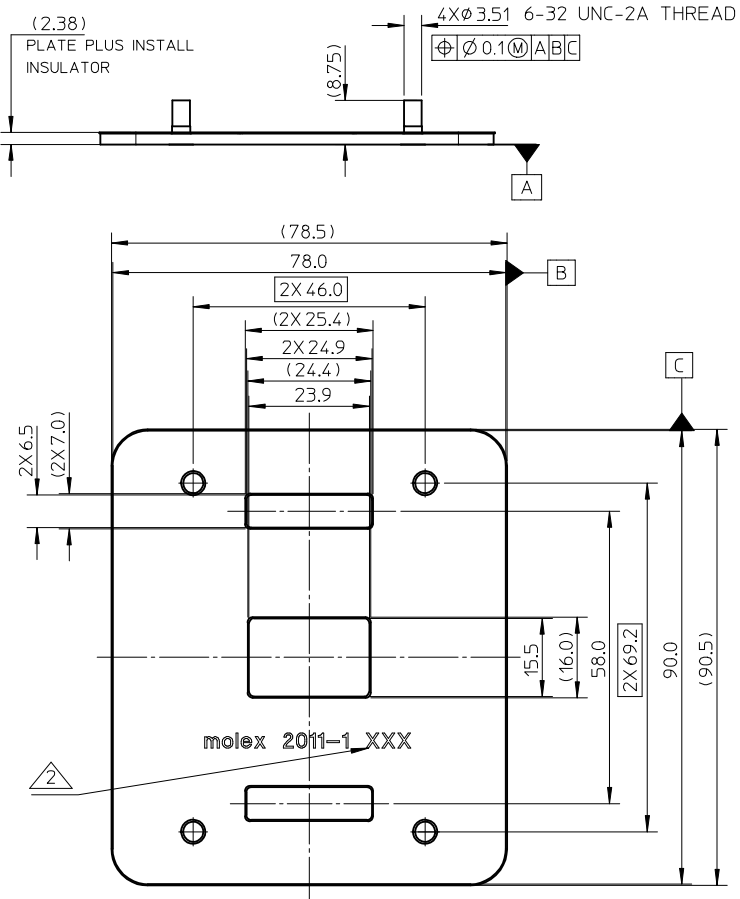


- NOTES:
 1. MATE WITH LGA2011-1 SOCKET ILM,DETAIL REFER TO SD-105197-001;
 2. DATE CODE
 3. THE PARTS 10519***** COMPLIANT TO RoHS DIRECTIVE 2002/95/EC AND ELV 2000/53/EC

| TOP | | COMPONENTS | | | | |
|--|--|------------|------|-------------|---------------------------------|--------------------------------------|
| | | ITEM NO | Q'TY | PART NO | DESCRIPTION | MATERIAL |
| BACK PLATE ASSEMBLY PART NO: 105197-2000 | | 1 | 1 | 105198-2001 | BACK PLATE | STEEL WITH NICKEL PLATING |
| | | 2 | 1 | 105198-2002 | INSULATOR | FORMEX GK-5BK 0.178MM |
| | | 3 | 1 | 105198-2003 | STUD.MALE. 6-32.STEEL.PRESS FIT | LOW CARBON STEEL WITH NICKEL PLATING |

| | | | | | | |
|--|---------------------|---------------------------------------|--|-----------------|--|------------------------|
| PROPOSED EC NO: SHZ015-0083 DRWN:YXZHENG 2012/07/25 CHKD:AYIN 2012/07/25 APPR:AYIN 2014/09/02 | QUALITY SYMBOLS | GENERAL TOLERANCES (UNLESS SPECIFIED) | DIMENSION STYLE | SCALE | DESIGN UNITS | THIRD ANGLE PROJECTION |
| | $F_A=0$ | mm INCH | MM ONLY | 1:1 | METRIC | |
| | $F_G=0$ | 4 PLACES ± --- ± --- | DRAWN BY YXZHENG | DATE 2012/07/25 | BACK PLATE ASSEMBLY DRAWING FOR SOCKET R1 | |
| | $F_C=0$ | 3 PLACES ± --- ± --- | CHECKED BY AYIN | DATE 2012/07/25 | | |
| | $F_B=0$ | 2 PLACES ± 0.2 ± --- | APPROVED BY AYIN | DATE 2014/09/02 | | |
| | 1 PLACE ± 0.3 ± --- | 0 PLACE ± --- ± --- | MATERIAL NO. 105197-2000 DOCUMENT NO. SD-105197-002 | | SHEET NO. 1 OF 1 | |
| | | ANGULAR ± 3 ° | DRAFT WHERE APPLICABLE MUST REMAIN WITHIN DIMENSIONS | | | |



- NOTES:
 1. MATE WITH LGA2011-1 SOCKET ILM,DETAIL REFER TO SD-105197-001;
 2. DATE CODE
 3. THE PARTS 10519***** COMPLIANT TO RoHS DIRECTIVE 2002/95/EC AND ELV 2000/53/EC

| TOP | | COMPONENTS | | | | |
|---------------------|--|------------|------|-------------|---------------------------------|--------------------------------------|
| | | ITEM NO | Q'TY | PART NO | DESCRIPTION | MATERIAL |
| BACK PLATE ASSEMBLY | | 1 | 1 | 105198-2001 | BACK PLATE | STEEL WITH NICKEL PLATING |
| PART NO: | | 2 | 1 | 105198-2002 | INSULATOR | FORMEX GK-5BK 0.178MM |
| 105197-2000 | | 3 | 1 | 105198-2003 | STUD.MALE. 6-32.STEEL.PRESS FIT | LOW CARBON STEEL WITH NICKEL PLATING |

| | | | | | | | | | | |
|--|--|--|---------------------------------------|--------------|---|-----------|--------------|------------------------|--|--|
| PROPOSED EC NO: SHZ015-0083 DRWN:YXZHENG CHKD:AYIN APPR:AYIN | 2012/07/25 2012/07/25 2014/09/02 | QUALITY SYMBOLS $F_A=0$ $F_G=0$ $F_P=0$ | GENERAL TOLERANCES (UNLESS SPECIFIED) | | DIMENSION STYLE | SCALE | DESIGN UNITS | THIRD ANGLE PROJECTION | | |
| | | | | | MM ONLY | 1:1 | METRIC | THIRD ANGLE PROJECTION | | |
| | | | | | mm | INCH | DRAWN BY | DATE | TITLE | |
| | | | | | 4 PLACES ± --- | ± --- | YXZHENG | 2012/07/25 | BACK PLATE ASSEMBLY DRAWING FOR SOCKET R1 | |
| | | 3 PLACES ± --- | ± --- | CHECKED BY | DATE | | | | | |
| | | 2 PLACES ± 0.2 | ± --- | AYIN | 2012/07/25 | | | | | |
| | | 1 PLACE ± 0.3 | ± --- | APPROVED BY | DATE | | | | | |
| | | 0 PLACE ± --- | ± --- | AYIN | 2014/09/02 | | | | | |
| | | ANGULAR ± 3 ° | | MATERIAL NO. | DOCUMENT NO. | SHEET NO. | | | | |
| | | DRAFT WHERE APPLICABLE MUST REMAIN WITHIN DIMENSIONS | | 105197-2000 | SD-105197-002 | 1 OF 1 | | | | |
| | | | | SIZE A3 | THIS DRAWING CONTAINS INFORMATION THAT IS PROPRIETARY TO MOLEX INCORPORATED AND SHOULD NOT BE USED WITHOUT WRITTEN PERMISSION | | | | | |