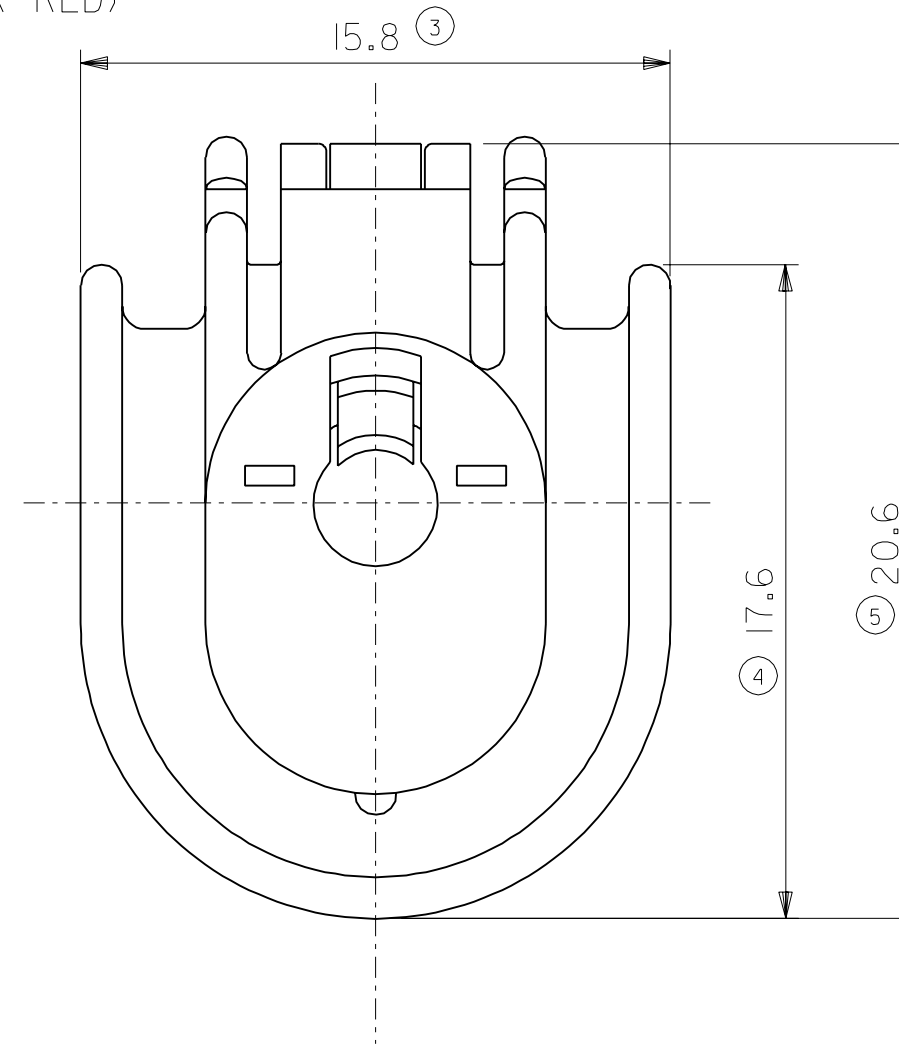
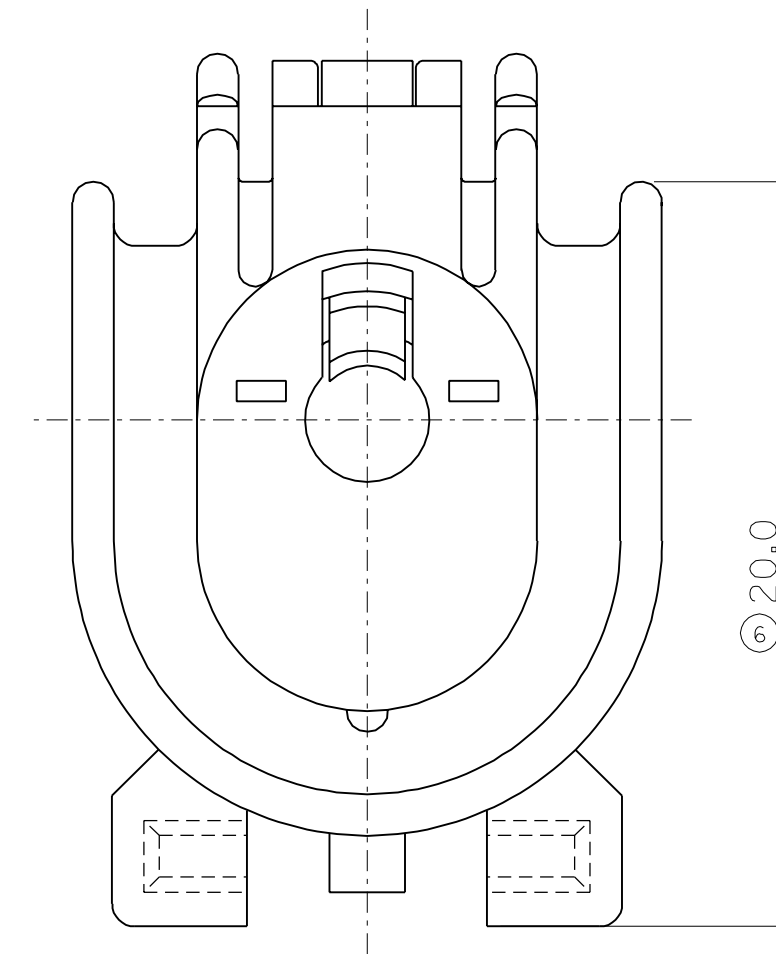


2 SPACER
1ST STOP POSITION
(COLOR RED)



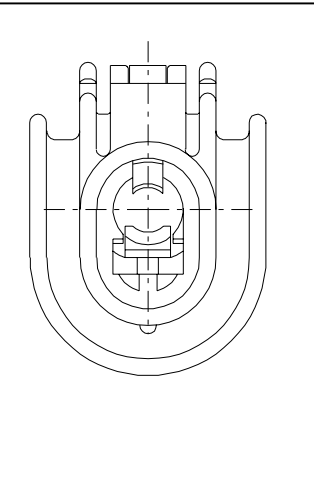
VERSION WITHOUT MOUNTING-CLIP



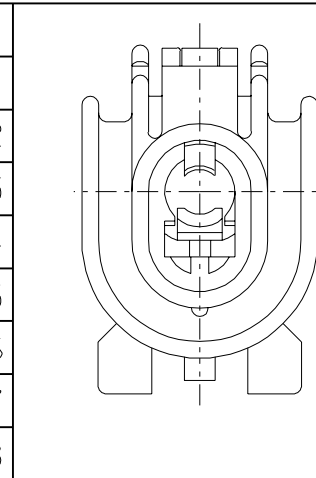
VERSION WITH MOUNTING-CLIP

MATERIAL: 1 PBTP 30% GV
2 PBTP 30% GV

COLOR	FARBE	RAL	MOLEX-NO.
BLACK	SCHWARZ	9005	98017-0001
BROWN	BRAUN	8017	98017-0002
BLUE	BLAU	5015	98017-0003
GREEN	GRUEN	6001	98017-0004
YELLOW	GELB	1018	98017-0005
GREY	GRAU	7035	98017-0006
ORANGE	ORANGE	1007	98017-0007
NATURAL	NATUR	-	98017-0008



COLOR	FARBE	RAL	MOLEX-NO.
BLACK	SCHWARZ	9005	98017-0011
BROWN	BRAUN	8017	98017-0012
BLUE	BLAU	5015	98017-0013
GREEN	GRUEN	6001	98017-0014
YELLOW	GELB	1018	98017-0015
GREY	GRAU	7035	98017-0016
ORANGE	ORANGE	1007	98017-0017
NATURAL	NATUR	-	98017-0018



MOLEX - CODE (ANY No.)

XXXXX - X X X X

I-8 COLOR

0=WITHOUT CLIP
1=WITH CLIP

0=HOUSING WITH SPACER
1=HOUSING WITHOUT SPACER

BASIC PART - NO.

FOR PREVIOUS
DRAWING ISSUES
SEE "EDIS"

ECN MXG 2678 NME 23.09.97	LTR	REVISIONS	THIRD ANGLE PROJECTION	REVISE ONLY ON CAD SYSTEM	SH.	REV.
			DIMENSIONS SHOWN (METRIC) INCH UNLESS OTHERWISE SPECIFIED TOLERANCES: ANGULAR + 2° INCH (METRIC)	CAD/CAM FILENAME SDA98017 DGN	THIS DRAWING CONTAINS INFORMATION THAT IS PROPRIETARY TO MOLEX INC. & SHOULD NOT BE USED WITHOUT WRITTEN PERMISSION	
G2	LTR	REVISIONS	3 PLACE ±	TITLE I-WAY HOUSING FOR FEMALE TERMINAL NON WATERPROOF 2.8-SYSTEM		
			2 PLACE ±	molex MOLEX EUROPE		
G2	LTR	REVISIONS	1 PLACE ± ± 0.20	SHEET NO. DATE 1 / 1 87 / 02 / 19		
			DESIGN DIMENSION (MM) (PRIMARY) □ IN.	PART NO. DWG NO. SIZE SEE TABLE SDA-98017 C		
			EQUIVALENT DIMENSION (MM) (SECONDARY) □ IN.	SCALE 5:1		