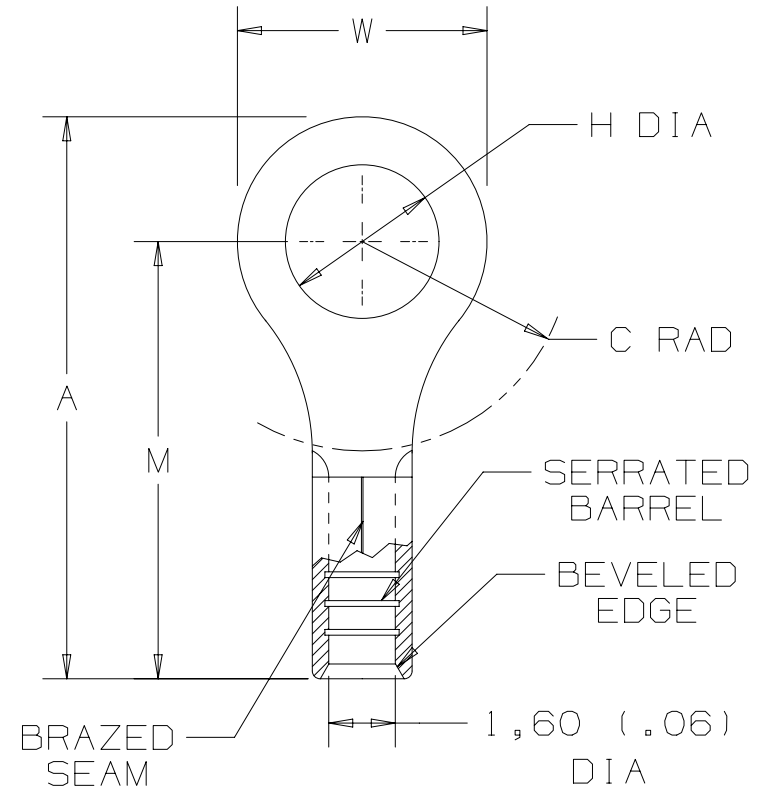


THIS COPY IS PROVIDED ON A RESTRICTED BASIS AND IS NOT TO BE USED IN ANY WAY DETRIMENTAL TO THE INTERESTS OF PANDUIT CORP.

PANDUIT PART NUMBER	STUD SIZE	DIMENSIONS mm (in)				
		A ± 0,6 (.02)	W ± 0,3 (.01)	C ± 0,4 (.02)	M ± 0,8 (.03)	D ± 0,3 (.01)
PM1-3R	M3	15,4 (.61)	5,9 (.23)	5,2 (.21)	12,7 (.50)	3,28 (.13)
PM1-4R	M4	17,9 (.71)	7,9 (.31)	6,4 (.25)	14,0 (.55)	4,47 (.18)
PM1-5R	M5	18,4 (.73)	8,9 (.35)	6,4 (.25)	14,0 (.55)	5,41 (.21)
PM1-6R	M6	22,7 (.90)	10,9 (.43)	9,7 (.38)	17,3 (.68)	6,79 (.27)

NOTES:

1. USED FOR 0,5–1,5mm² (#22–18 AWG), SOLID OR STRANDED, COPPER WIRE
2. STAMPING: 0,81mm (.03) THICK COPPER, TIN PLATED
3. DIMENSIONS IN BRACKETS ARE IN INCHES
4. SEE www.panduit.com FOR PACKAGE QUANTITIES INDICATED BY PART NUMBER SUFFIX
5. WIRE STRIP LENGTH: 7,1mm ^{+0,8}₋₀ (9/32" ^{+1/32}₋₀)
6. INSTALLATION TOOL: CT-1570



REV	DATE	BY	CHK	APR	DESCRIPTION	ECN
03	6/16	JHNU	JHNU	RGB	REVISED TITLE BLOCK, REVISED DIMENSION TABLE REVISED NOTE 6: REMOVED DWG REFERENCE, ADDED CT-1570 REVISED NOTE 4: REVISED TO REFERENCE PANDUIT.COM	N41430BA-DC
02	10/06	DAW	DAW		ADDED -X PACKAGE QTY.	TR00171
01	10/97	TM	WJB		CHANGED DECIMAL POINTS TO COMMAS	06431
00	11/91	BK	RS		RELEASED	00687

TITLE NON-INSULATED METRIC RINGS 0.5–1.5mm² BARREL					
CUSTOMER DRAWING					
ITEM REVISION NAME N41430BA/03			PANDUIT		
DATASET FILE NAME N41430BA/03					
UNLESS OTHERWISE SPECIFIED, DIMENSIONAL TOLERANCES ARE: IN [mm]			MATERIAL: SEE NOTES		
.x ± .1 [2.54] .xxx ± .005 [.127] .xx ± .01 [.25] ANGLES ± 5 °			DRAWING NUMBER: A41430		
DRAWN BY BDK		DATE 11/91	CHK	SCALE NONE	SHT 1 OF 1
					SIZE A

D10100DA/16