

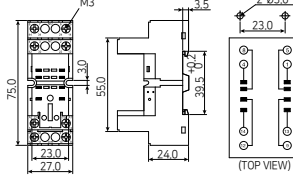


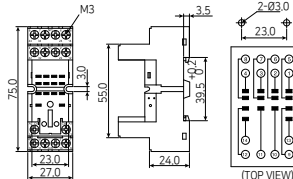


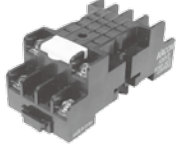

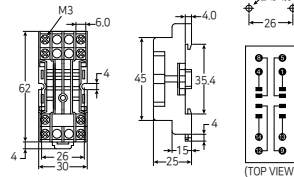
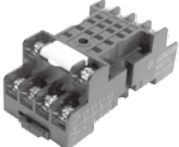

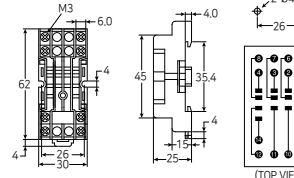


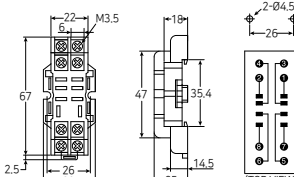


Socket

Product Selection & Dimension

unit : mm



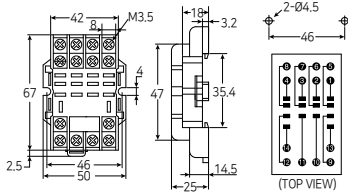
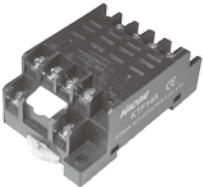

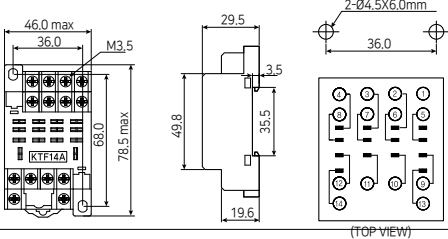
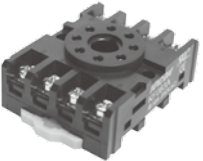
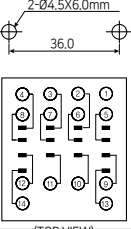
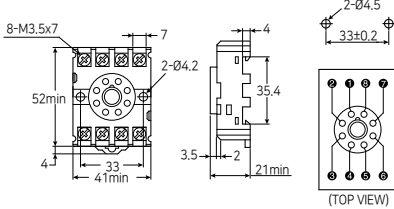

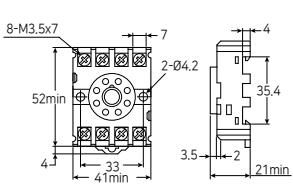
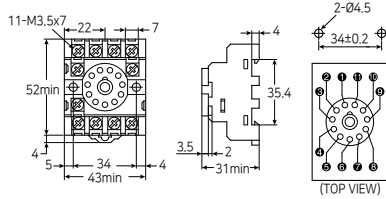


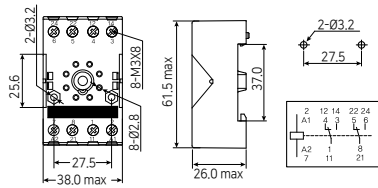


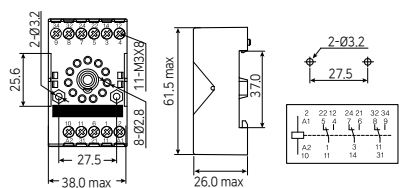
	Part Number (Color)	Certification	Relay	Torque	Dimension
	KPY2 (White)		50S-2P	0.5N·m	
	KPY4 (White)		50S-4P	0.5N·m	
	KPY-M Varistor		KPY-M1 24VDC/AC KPY-M2 110VDC/AC KPY-M3 220VDC/AC KPY socket		
	KPY-D Diode		6 ~ 250VDC KPY socket		
	KMY2		50S-2P HR705-2P	0.5N·m	
	KMY4 (R, G, Y, B, Amber, Black(Basic))		50S-4P HR705-4P	0.5N·m	
	KLY2		HR710-2P	0.8N·m	

Rev. 2/14
Data subject may change without notice.

Socket

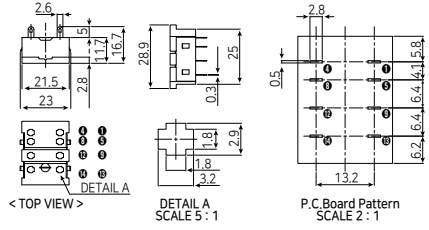


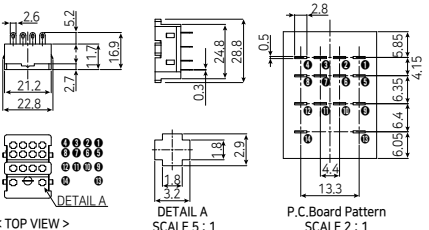

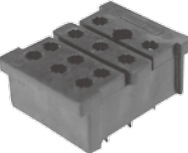

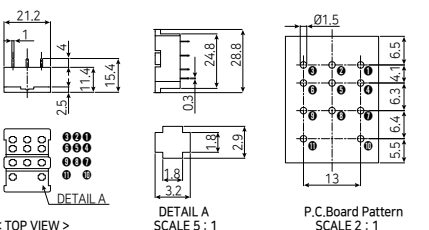

Product Selection & Dimension

unit : mm

	Part Number (Color)	Certification	Relay	Torque	Dimension
	KLY4		HR710-4P	0.8N·m	
	KTF14A		HR710-4P	0.8N·m	
	KF083A		HR707N-2P	0.8N·m	
	KF113A		HR707N-3P	0.8N·m	
	KPZ2		HR707N-2P TTL TTS	0.5N·m	
	KPZ3		HR707N-3P	0.5N·m	

Product Selection & Dimension

unit : mm


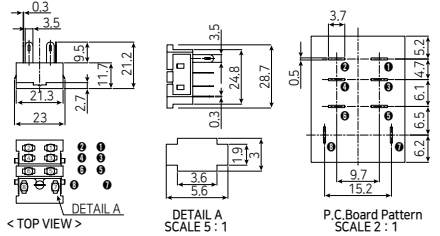

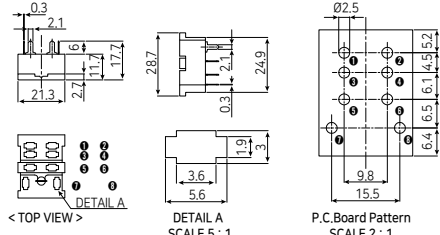
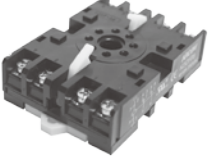
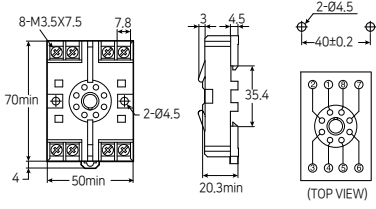
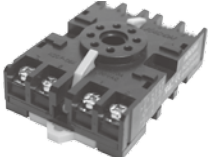
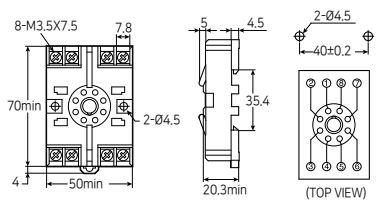
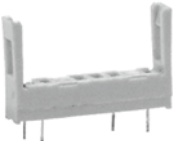
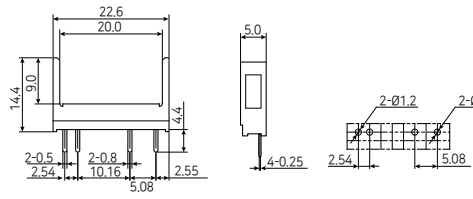
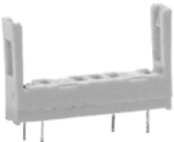
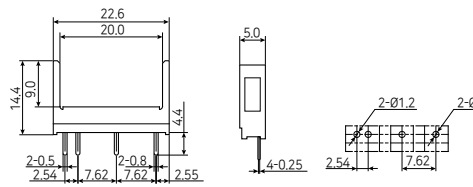
Part Number (Color)	Certification	Relay	Dimension
		505-2PL HR705-2P Soldering	
		HR705-3P Soldering	
		505-4P HR705-4P Soldering	
		505-2P HR705-2P PCB Type	
		HR705-3P PCB Type	
		505-4P HR705-4P PCB Type	



Socket

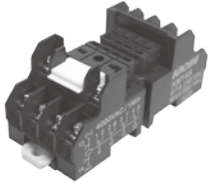
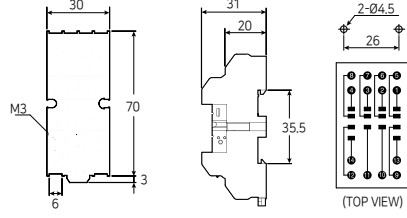

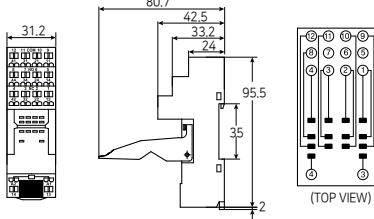

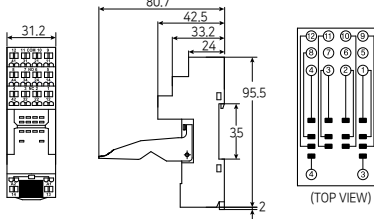

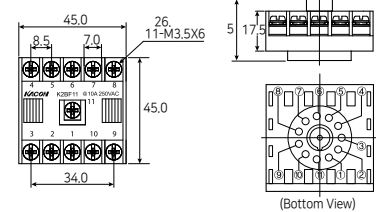
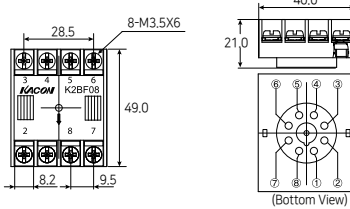


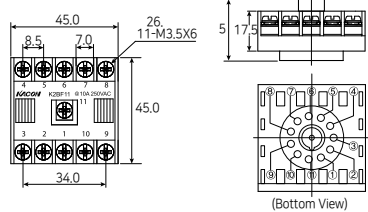
Product Selection & Dimension

unit : mm

	Part Number (Color)	Certification	Relay	Torque	Dimension
	KT08	CE	HR710-2P Soldering	-	 <p>< TOP VIEW > DETAIL A SCALE 5 : 1 P.C. Board Pattern SCALE 2 : 1</p>
	KT08-0	CE, cULus	HR710-2P PCB Type	-	 <p>< TOP VIEW > DETAIL A SCALE 5 : 1 P.C. Board Pattern SCALE 2 : 1</p>
	K2CF08	CE, cULus	TTL	0.8N·m	 <p>(TOP VIEW)</p>
	K2CF08K	CE	Floatless, FLR	0.8N·m	 <p>(TOP VIEW)</p>
	TAS (White)		TA-1a		
	TRS (White)		TR-1a		

Product Selection & Dimension




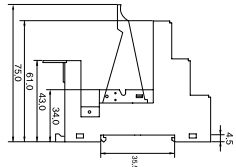
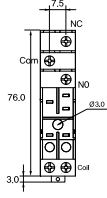


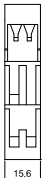
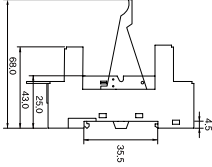
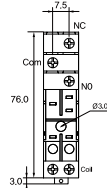
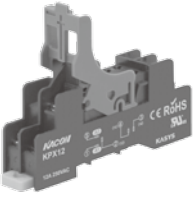


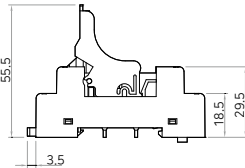
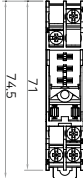

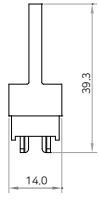
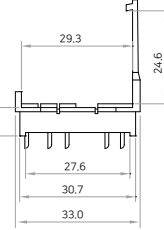
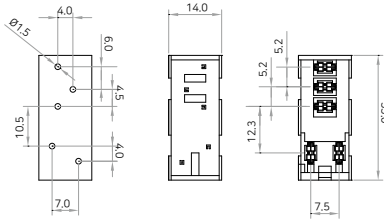
unit : mm

	Part Number (Color)	Certification	Relay	Torque	Dimension
	KMY4S G (Green)		50S-4P HR705-4P	0.5N·m	 (TOP VIEW)
	KCY4		50S-4P HR705-4P 납땜용	-	 (TOP VIEW)
	K2BF08		TTL	0.8N·m	 (Bottom View)
	K2BF11		TTL	0.8N·m	 (Bottom View)

Socket



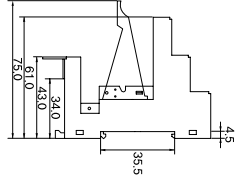
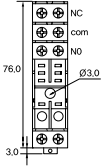

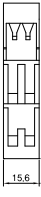
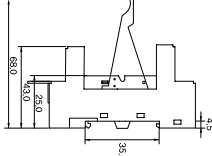
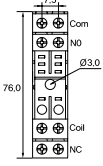
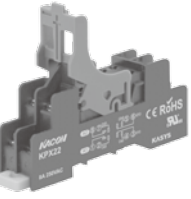

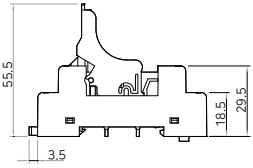
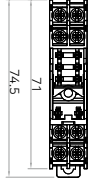

Product Selection & Dimension

unit : mm

	Part Number (Color)	Certification	Relay	Torque	Dimension		
	KPX11	CE 	-	0.5N·m			
	KPX1	CE 	-	0.5N·m			
	KPX12	CE 	K706-1PL	0.5N·m			
	KPX13	CE	K706-1PL Soldering	-			

Product Selection & Dimension

unit : mm

	Part Number (Color)	Certification	Relay	Torque	Dimension		
	KPX21	CE, RoHS, UL	-	0.5N·m			
	KPX2	CE, RoHS, UL	-	0.5N·m			
	KPX22	CE, RoHS	K706-2PL	0.5N·m			
	KPX23	CE	K706 -2PL Soldering	-	