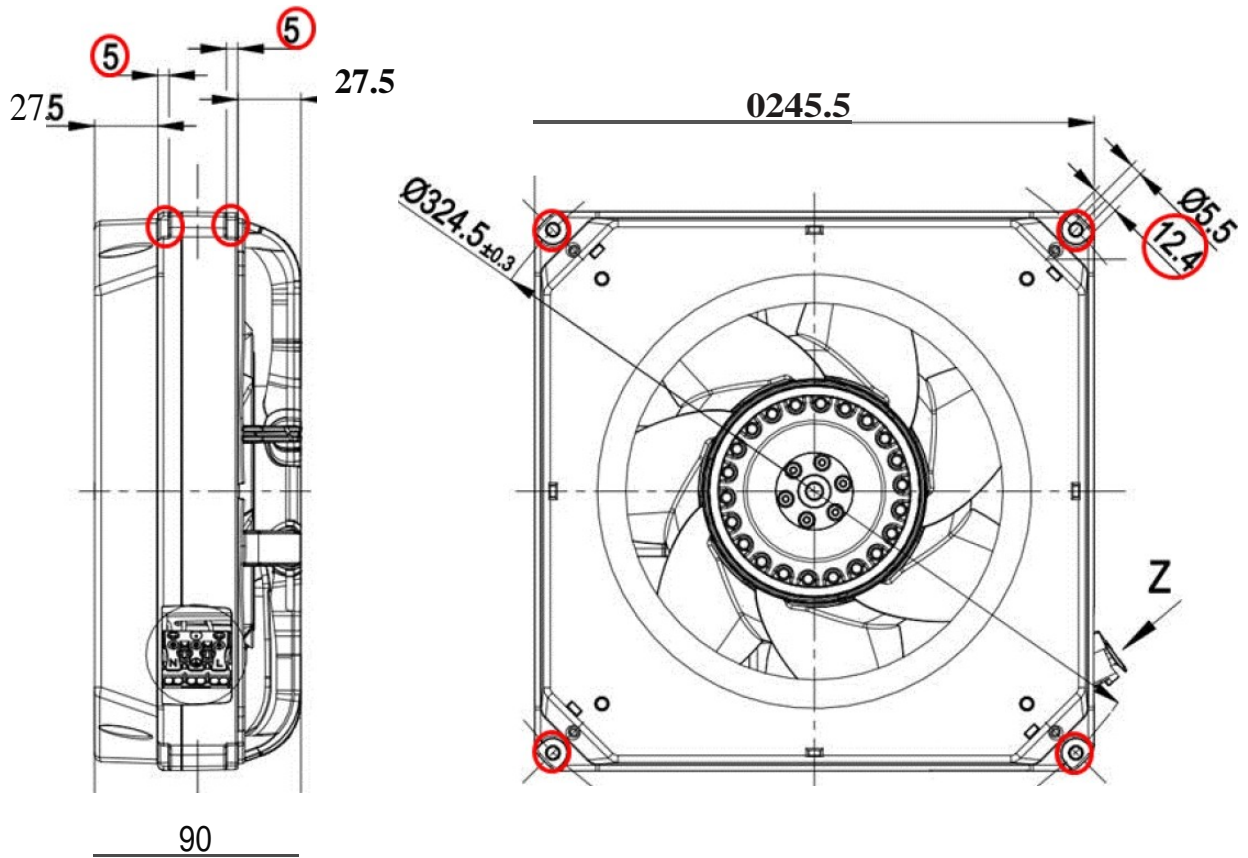




## Distributor Product Change Notice

<b>Date:</b> 11/23/16	
<b>Overview:</b>	Compact Diagonal Modules – Housing modification
<b>Reason for change:</b>	To allow for a bigger / flatter contact surface for the mounting screws
<b>Affected Part Number(s):</b>	K2E200-AD08-02, K2E200-AD20-01, K3G200-AD21-01, K3G200-AD11-02
<b>Design Change Detail:</b>	The current housing has countersunk areas around each of the mounting holes. These indentations around the mounting holes will be omitted or “filled in” to allow for a bigger / flatter contact surface for the mounting screws (please see drawing on page 2).
<b>Effective Date:</b>	Original housing style no longer available; ship date for updated housing style TBD
<b>Last time buy deadline:</b>	N/A
<b>Pricing:</b>	<100 - No change
	>100 - No change
<b>ebm-papst employee:</b>	Jeannine Zenobi, Distributor Marketing Specialist
<b>Attachments:</b>	N/A
<b>Comments:</b>	Please see drawing on page 2



Form No: 1274	Quality Record - No
Rev. - Orig, Released 08/28/14	Retention Period - 1 year

Page 1 of 1
Dept. Owner - Sales/Marketing