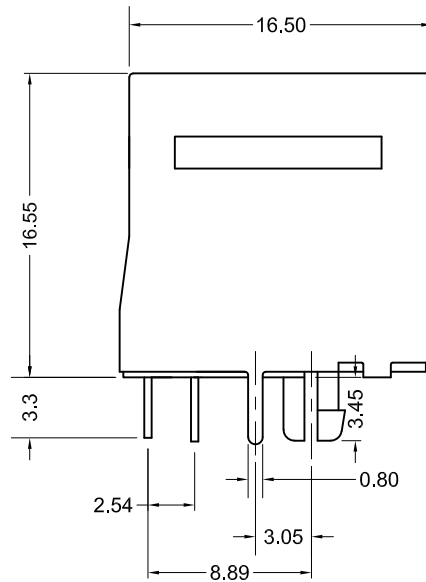


Recommended PCB Layout
(Top View)



Material and Finish

Housing Material-
PBT, 15% glass filled
UL 94V-0 Rated
Color: Black

Contact Material-
Phosphor Bronze

Shield Material-
Nickel Plated Phosphor Bronze

Contact Plating Options-
Standard: 0.0001" Nickel
Plating, Selective Plating
Gold Flash on Contact
Area, Tin on
Termination End

50: 0.0001" Nickel Plating,
Selective Plating 0.000050"
Gold on Contact Area to
Comply with FCC Requirements
Under No. 47 C.F.R. Part 68,
Subpart F, Tin on
Termination End

Electrical Characteristics

Current Rating-
1.5 Amps

Voltage Rating-
125V DC

Insulation Resistance-
500 Megohms Min.

Dielectric Withstanding Voltage-
1000V rms, 60Hz

Contact Resistance-
20 milliohms Max.

Operating Temperature-
-40°C to +85°C

Part Number	Contact Area Plating Finish
GDX-PNS-64	Gold Flash (standard)
GDX-PNS-64-50	50u" Gold (50 option)

Tolerances
X.X ± 0.25
X.XX ± 0.15
Unless Stated Otherwise



REV.	DATE	DESCRIPTION	REV. BY	CHK. BY	DRAWN BY	DATE
A0	9/15/05	New Drawing	R. Aguirre	N.Chang	R. Aguirre	9/15/05
A1	05/14/10	ECO #10-025	S. Vien	H. MA		
A2	12/12/13	ECO #13-091	D. Gih	H. MA		
A3	05/25/17	ECO #17-014	H. MA	C. Furumasu		
A4	05/13/20	ECO #20-012	G. Serrato	D. Shehan		

GDX-PNS-64

Perpendicular, PCB Mount Mod. Jack, RoHS Compliant

6 Position, 4 Contacts, Shielded

