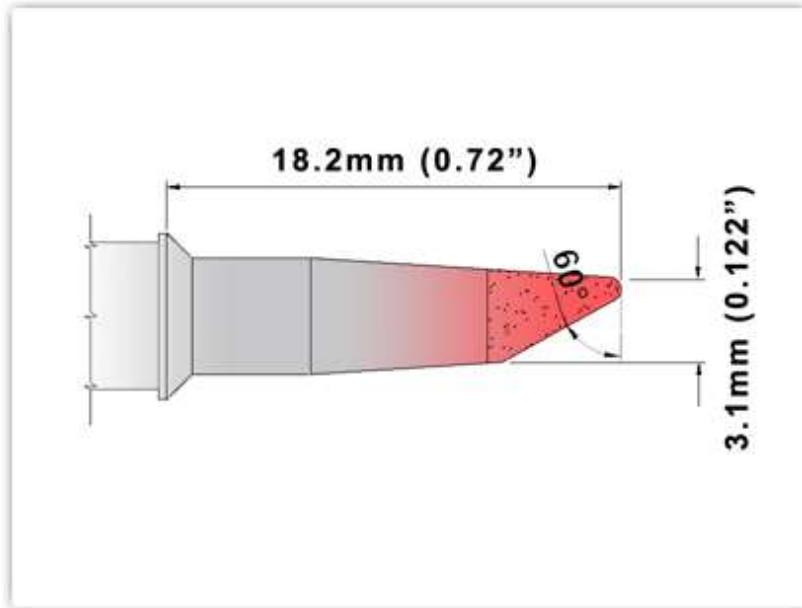


## EK60DS023 Datasheet

### Technical Specifications



#### EK60DS023

**Hoof 60° 3.10mm (0.122")**

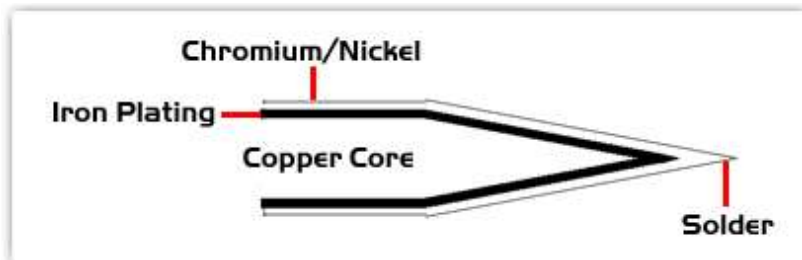
Tip Style: Hoof

Tip Width: 3.10mm (0.12")

Tip Length: 18.20mm (0.72")

60 Type Cartridge <sup>1</sup> :	325°C - 358°C
RoHS Compliant <sup>2</sup> / Lead Free:	YES
Equivalent to:	STV-DRH20CP
For Use With:	EB-2000S, PS900 w/SHP-K, MFR-PS1100/MFR-PS2200 w/SHP-KM

### Material Composition



**All components  
are RoHS  
compliant and  
Lead-Free.**

<sup>1</sup> Easy Braid Co. tip cartridges will typically idle within a temperature range of +/-1.1°C. However, there is variation in idle temperature across tip geometries within an individual temperature series. Easy Braid Co. offers a wide variety of tip geometries from 0.25mm fine point tip to 5mm chisel. The length and geometry of a tip will have an influence on the tip idle temperature. To accurately measure idle temperature it will depend greatly on the measurement method, technique and equipment used. Two different methods or the use of alternative equipment will produce different test results.

<sup>2</sup> Please refer to <http://www.rohs.gov.uk> for details on RoHS Compliance.