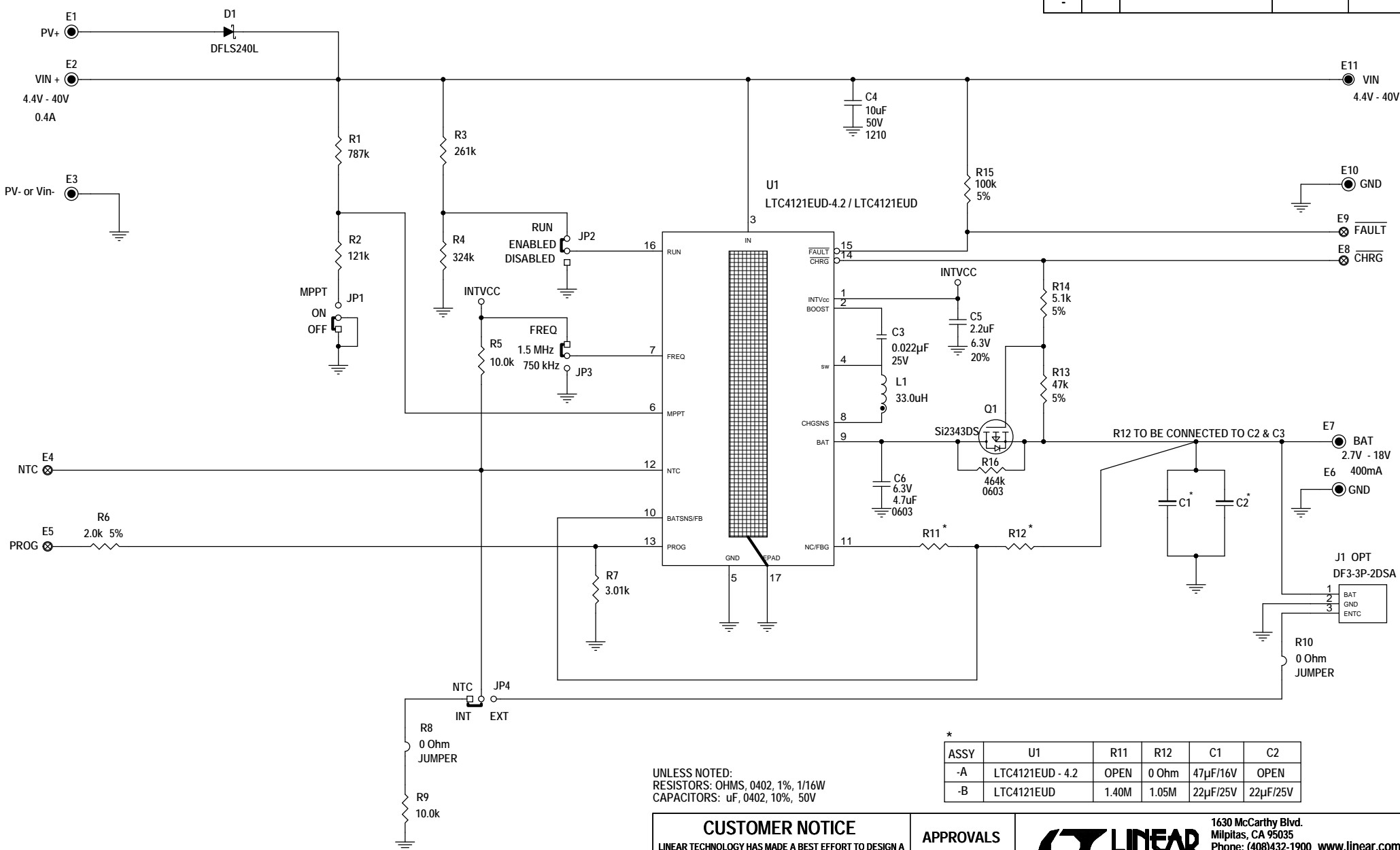


REVISION HISTORY				
ECO	REV	DESCRIPTION	APPROVED	DATE
-				



UNLESS NOTED:
 RESISTORS: OHMS, 0402, 1%, 1/16W
 CAPACITORS: uF, 0402, 10%, 50V

ASSY	U1	R11	R12	C1	C2
-A	LTC4121EUD - 4.2	OPEN	0 Ohm	47uF/16V	OPEN
-B	LTC4121EUD	1.40M	1.05M	22uF/25V	22uF/25V

CUSTOMER NOTICE LINEAR TECHNOLOGY HAS MADE A BEST EFFORT TO DESIGN A CIRCUIT THAT MEETS CUSTOMER-SUPPLIED SPECIFICATIONS; HOWEVER, IT REMAINS THE CUSTOMER'S RESPONSIBILITY TO VERIFY PROPER AND RELIABLE OPERATION IN THE ACTUAL APPLICATION. COMPONENT SUBSTITUTION AND PRINTED CIRCUIT BOARD LAYOUT MAY SIGNIFICANTLY AFFECT CIRCUIT PERFORMANCE OR RELIABILITY. CONTACT LINEAR TECHNOLOGY APPLICATIONS ENGINEERING FOR ASSISTANCE.		APPROVALS PCB DES. NC APP ENG. WAT		1630 McCarthy Blvd. Milpitas, CA 95035 Phone: (408)432-1900 www.linear.com Fax: (408)434-0507 LTC Confidential-For Customer Use Only	
		TITLE: SCHEMATIC 40V 400mA SYNCHRONOUS STEP-DOWN BATTERY CHARGER			
THIS CIRCUIT IS PROPRIETARY TO LINEAR TECHNOLOGY AND SUPPLIED FOR USE WITH LINEAR TECHNOLOGY PARTS.		SIZE N/A	IC NO. LTC4121EUD - 4.2 / LTC4121EUD	REV. 1	DATE: 2017-02-22
SCALE = NONE		SHEET 1 OF 1		DATE: 2017-02-22	