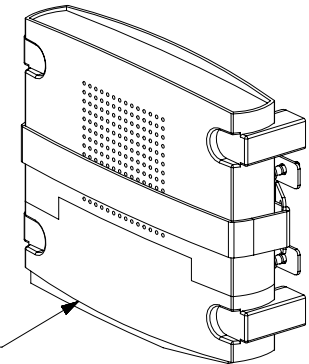
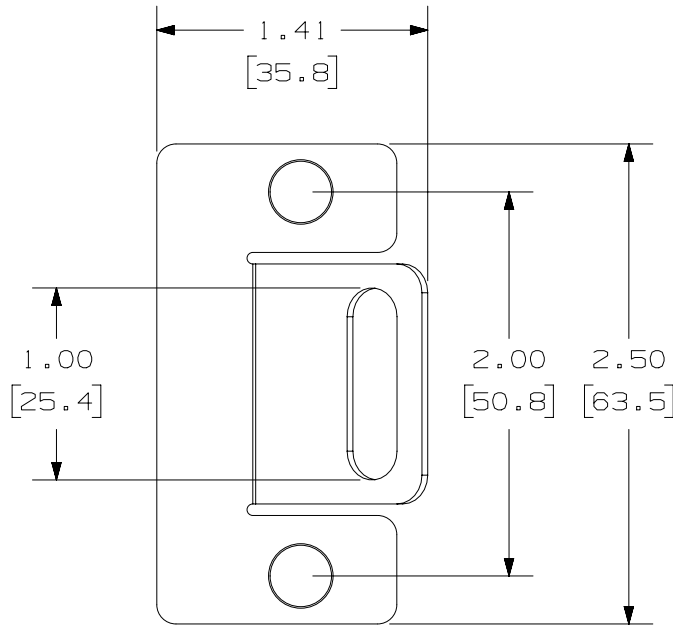
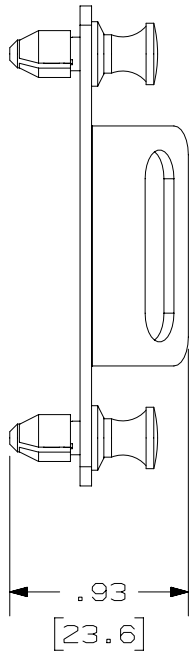


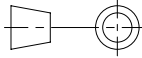
THIS COPY IS PROVIDED ON A RESTRICTED BASIS AND IS NOT TO BE USED IN ANY WAY DETRIMENTAL TO THE INTERESTS OF PANDUIT CORP.

NOTES:

1. VISIT OUR ON-LINE CATALOG AT WWW.PANDUIT.COM FOR A LIST OF CURRENT PARTS APPLICABLE FOR USE WITH THIS PRODUCT.
2. DIMENSIONS IN [] ARE METRIC.
3. WEIGHT: 1.12 LB/10 PCS (506 g/10PCS)
4. PART INCLUDES:
 2- EQUIPMENT BRACKET
 1- 18" ULTRA-CINCH HOOK AND LOOP TIE



3RD PARTY EQUIPMENT
NOT INCLUDED

PART NUMBER		CMBBRKT										
TITLE		EQUIPMENT BRACKET										
		CUSTOMER DRAWING										
ITEM REVISION NAME		00101EBP/00										
DATASET FILE NAME		00101EBP_DC/00A										
		THIRD ANGLE PROJECTION										
MATERIAL		16 GA CRS		DRAWING NUMBER								
				00101EBP-DC								
REV	DATE	BY	CHK	APR	DESCRIPTION	ECN	DRAWN BY	DATE	CHK	SCALE	SHEET 1 OF 1	SIZE
00A	3-20-18	BJN	BSN	JEFK	RELEASED FOR PRODUCTION	00101EBP-DC	BJN	03-21-18	BSN	NONE		A

A-SIZE CUSTOMER

2

1

2

1