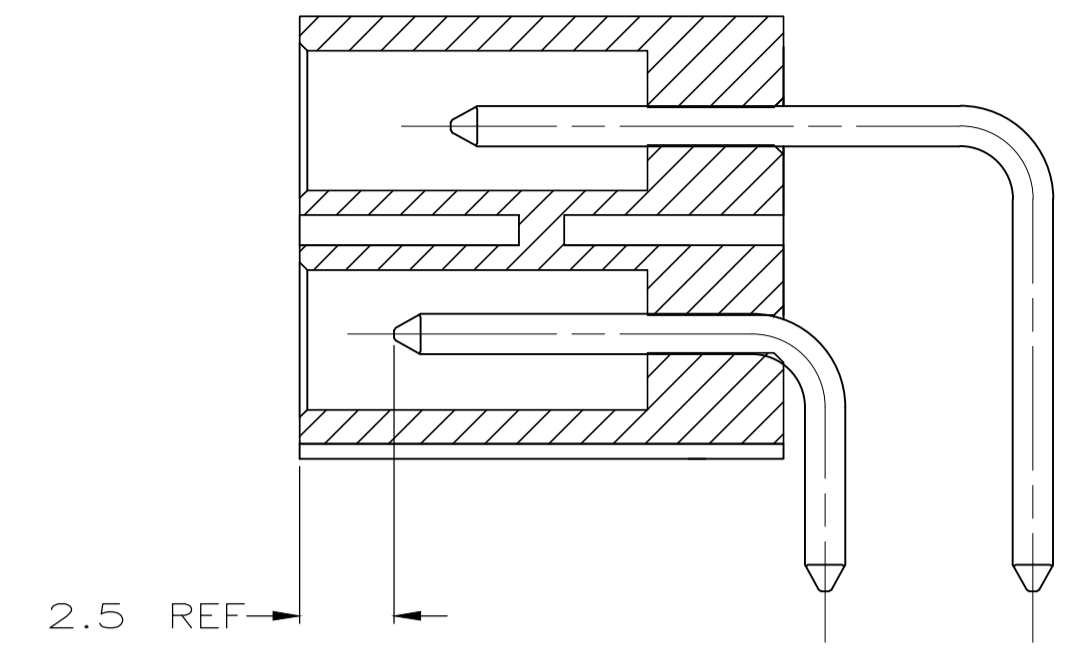
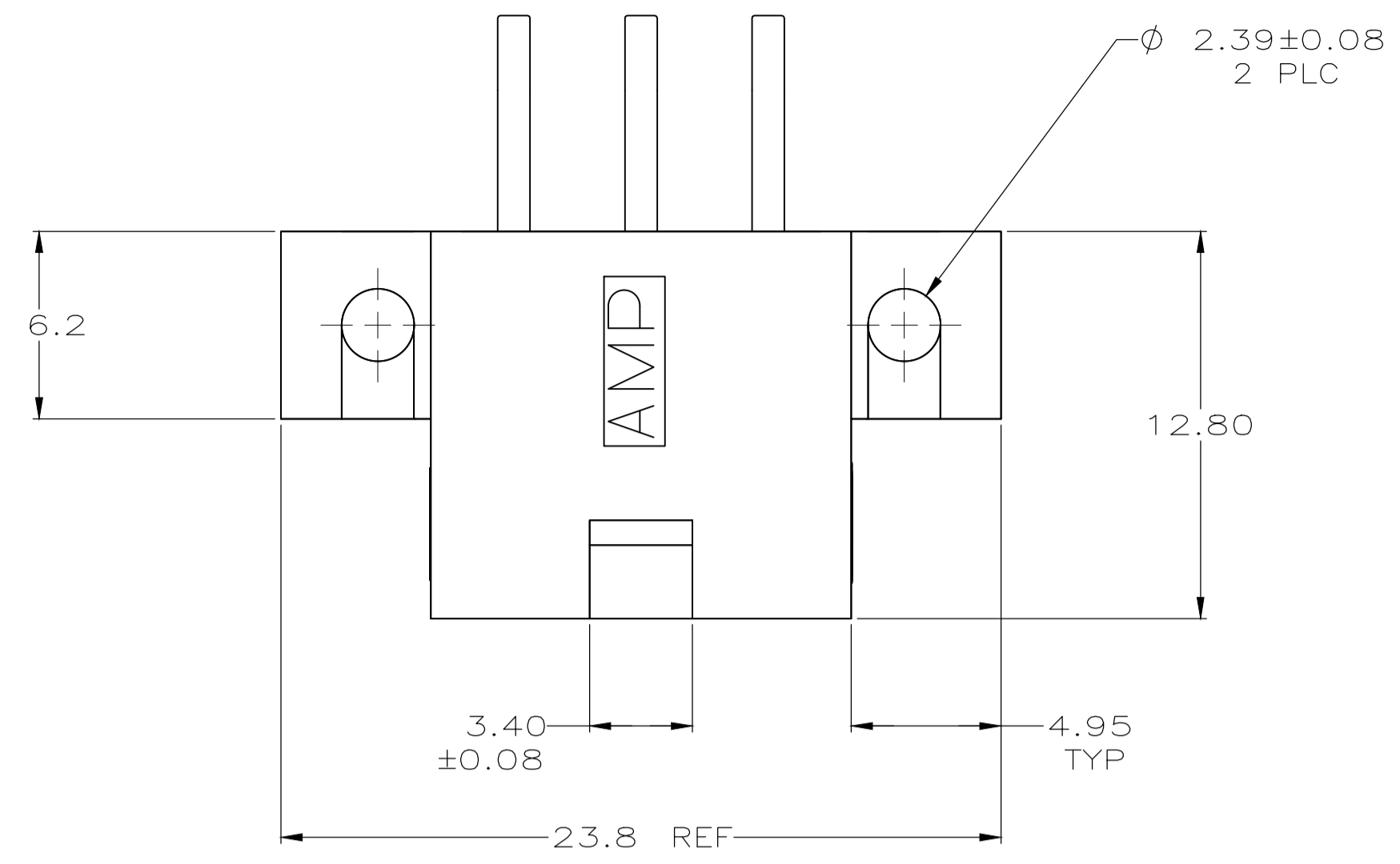
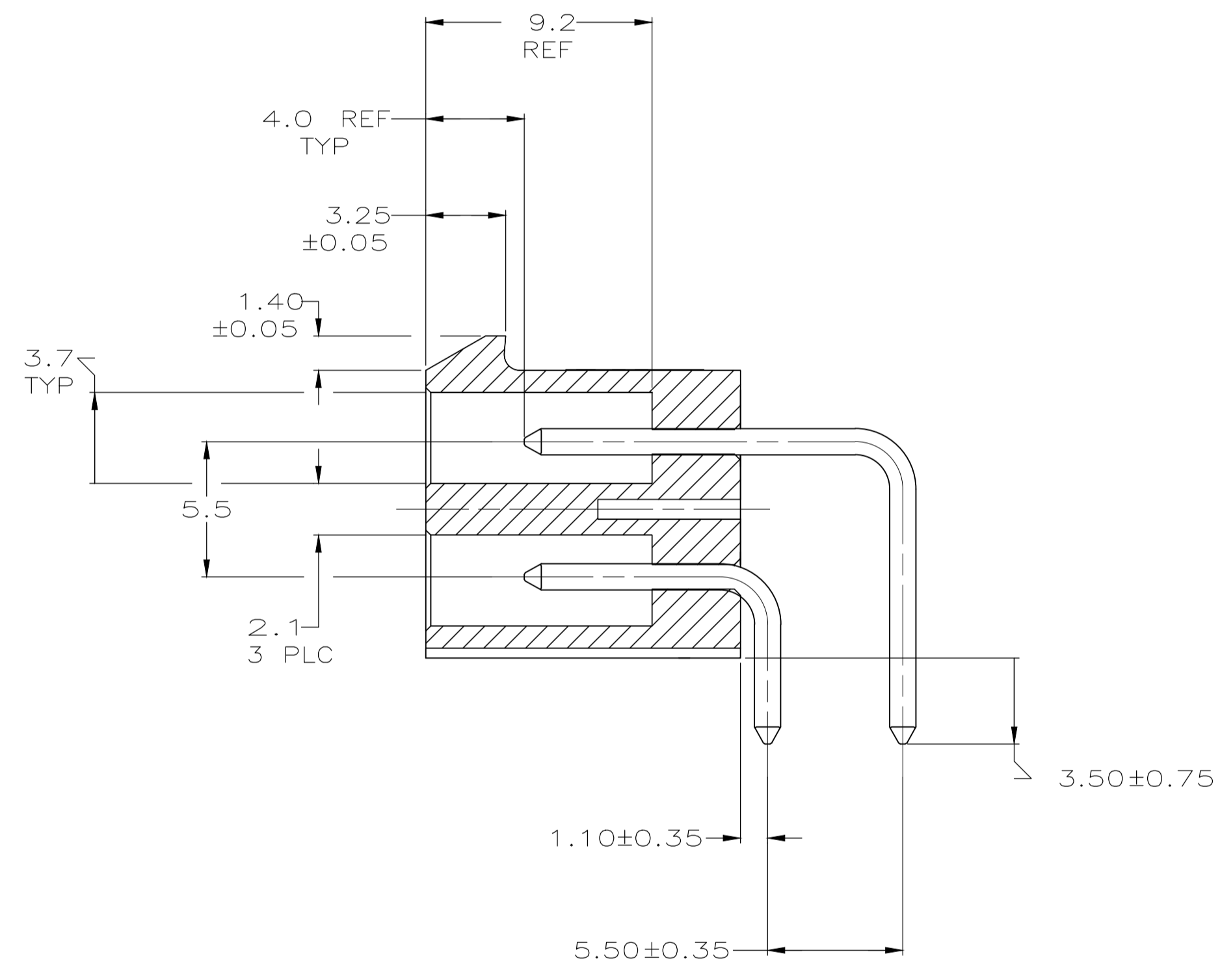
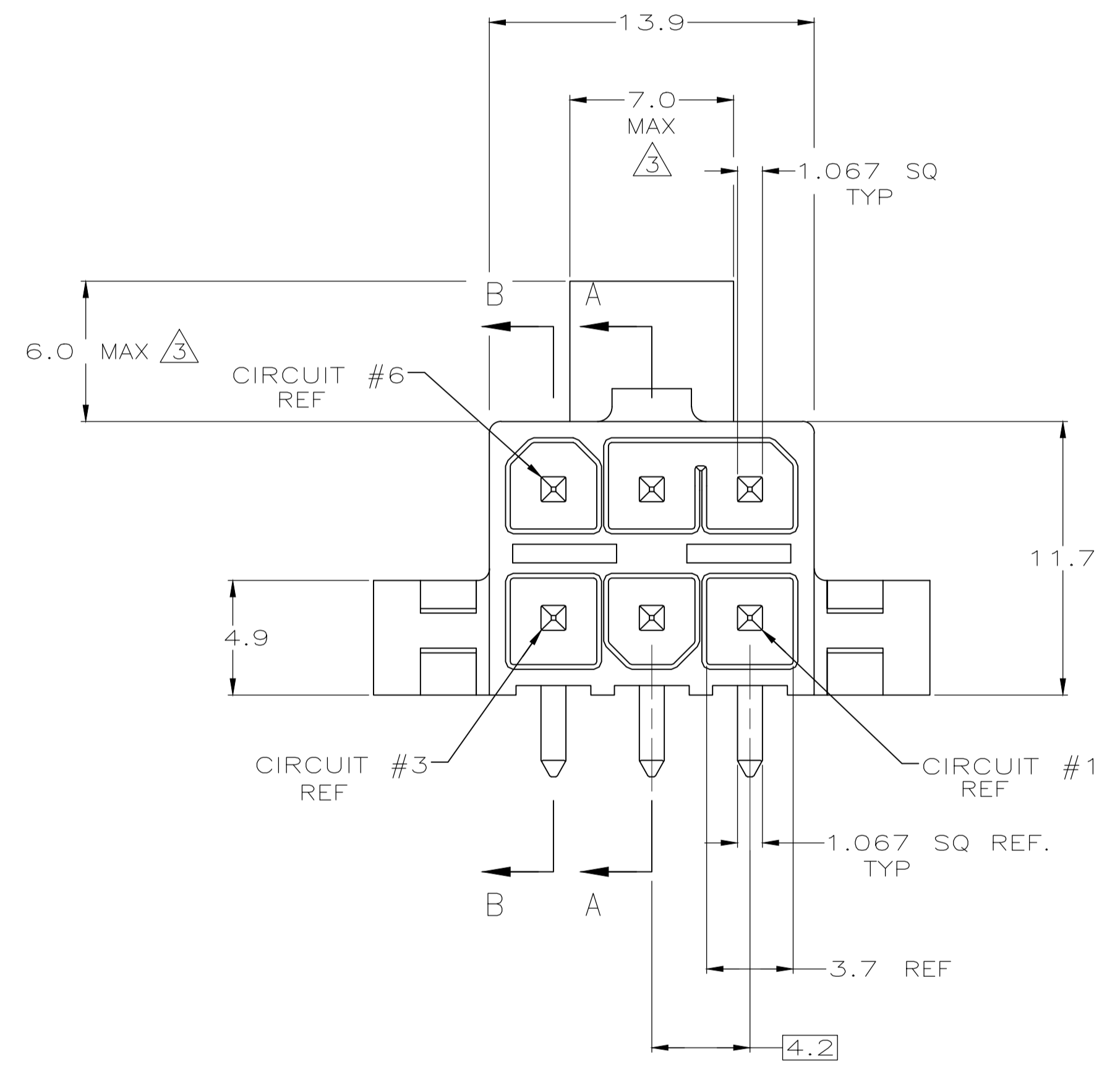


LOC		DIST		REVISIONS			
CM	53	P	LTR	DESCRIPTION	DATE	DMN	APVD
		A1	EOL		13JUL2020	ML	SZ

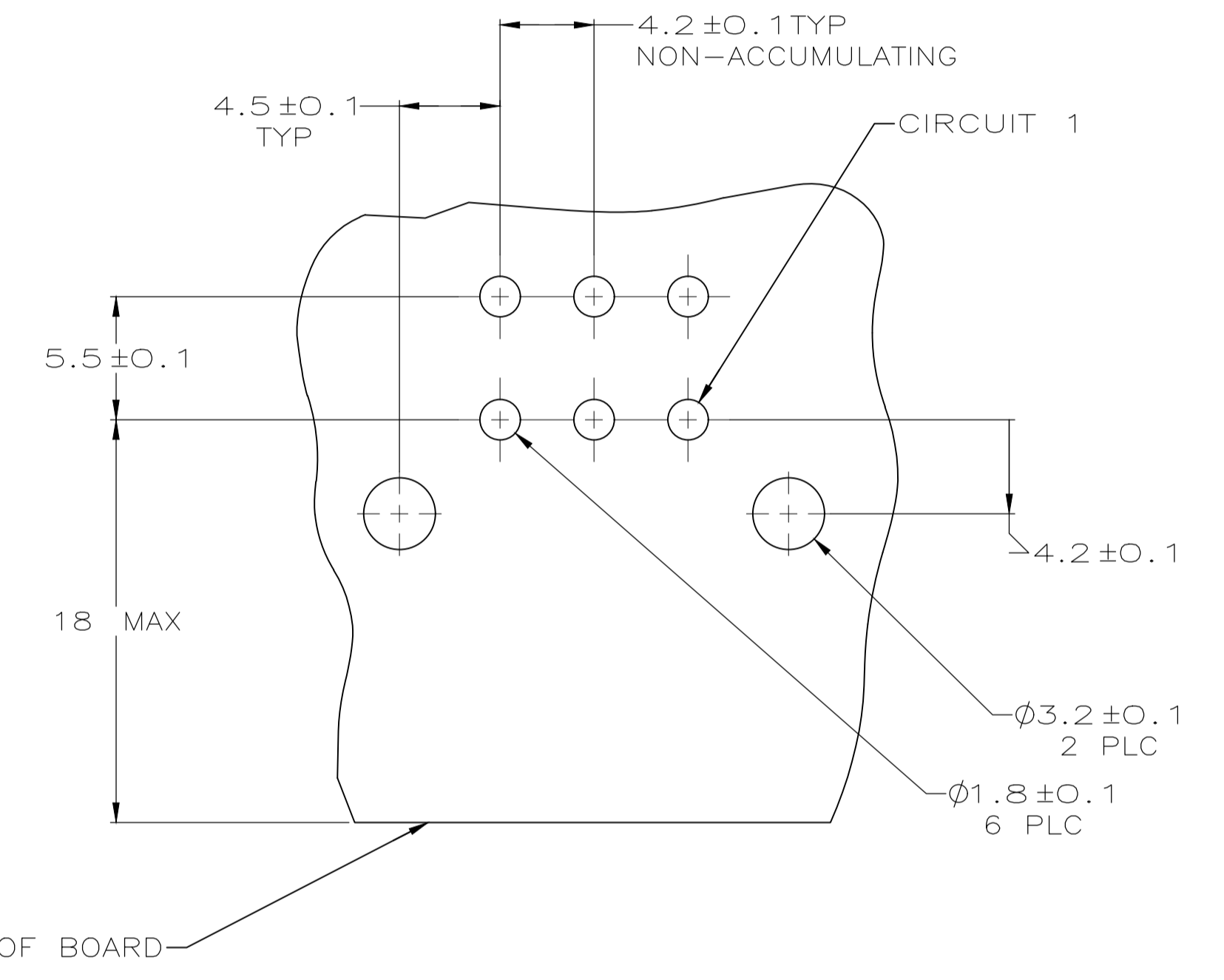


SECTION B-B

- △ CONTACT: 0.00076 GOLD AT INTERFACE. 0.00254 MIN MATTE TIN ON SOLDER TAIL. 0.00127 MIN NICKEL UNDERPLATE ALL OVER.
- 2. MATES WITH AMP-DUAC/PL PLUG RECEPTACLE 794153 AND ITS CONTACTS.
- △ CLEARANCE ENVELOPE FOR MATING PLUG RECEPTACLE LATCH.
- △ ALL POSTS STANDARD.
- △ CONTACT GROUND POST LOCATED IN CIRCUIT 3, ASSEMBLY P/N 5794173-3.
- △ CONTACT GROUND POST LOCATED IN CIRCUIT 3, ASSEMBLY P/N: 5794173-4.



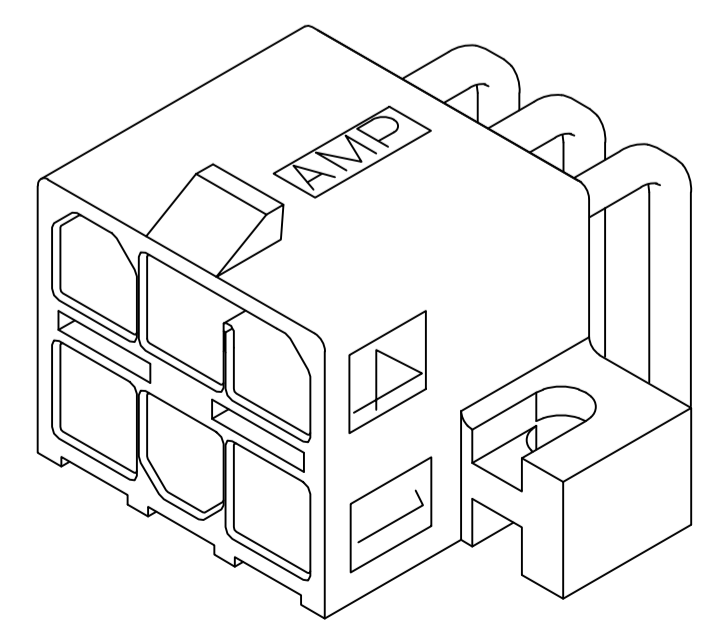
SECTION A-A



RECOMMENDED MOUNTING HOLE PATTERN FOR 1.78 MAX THICK P.C. BOARD COMPONENT SIDE SHOWN SCALE 4:1

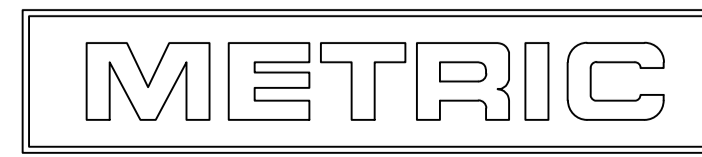
5794173-3 SHOWN

OBSOLETE



3-DIMENSIONAL MODEL NTS

△ 2,5	BRASS	△	PBT, UL94V-0	NATURAL(WHITE)	5794173-4
△ 6	BRASS	△	PBT, UL94V-0	NATURAL(WHITE)	5794173-3
△ 5	BRASS	△	PBT, UL94V-0	NATURAL(WHITE)	5794173-2
POST NO. OMITTED	MATERIAL	FINISH	MATERIAL	COLOR	PART NO



THIS DRAWING IS A CONTROLLED DOCUMENT.

DIMENSIONS: mm	TOLERANCES UNLESS OTHERWISE SPECIFIED:	DIN R GRZYBOWSKI 04MAR05	tyco Electronics
0 PLC ± -	1 PLC ± 0.2	CHK A FRANTUM 04MAR05	Tyco Electronics Corporation Middletown, Pa 17057
2 PLC ± 0.13	3 PLC ± -	APVD A FRANTUM 04MAR05	NAME
4 PLC ± -	ANGLES ± 0° 30'	PRODUCT SPEC	HEADER ASSEMBLY, RIGHT ANGLE, 6 CIRCUIT, AMP-DUAC / PL POWER CONNECTOR
MATERIAL SEE TABLE	FINISH SEE TABLE	APPLICATION SPEC	SIZE CAGE CODE DRAWING NO RESTRICTED TO
		114-6067	A1 00779 C=5794173
		WEIGHT	CUSTOMER DRAWING SCALE 5:1 SHEET 1 OF 1 REV A1